

PRODUCT INFORMATION PACKET



Model No: C6T11FB8E

Catalog No: 111394.00

3/4HP..1140RPM.56.TEFC./575V.3PH.60HZ.CONT.NOT.40C.1.15SF.RIGID.575 VOLT.C6T11FB8E
575 Volts



Regal and Leeson are trademarks of Regal Beloit Corporation or one of its affiliated companies.

©2018 Regal Beloit Corporation, All Rights Reserved. MC017097E





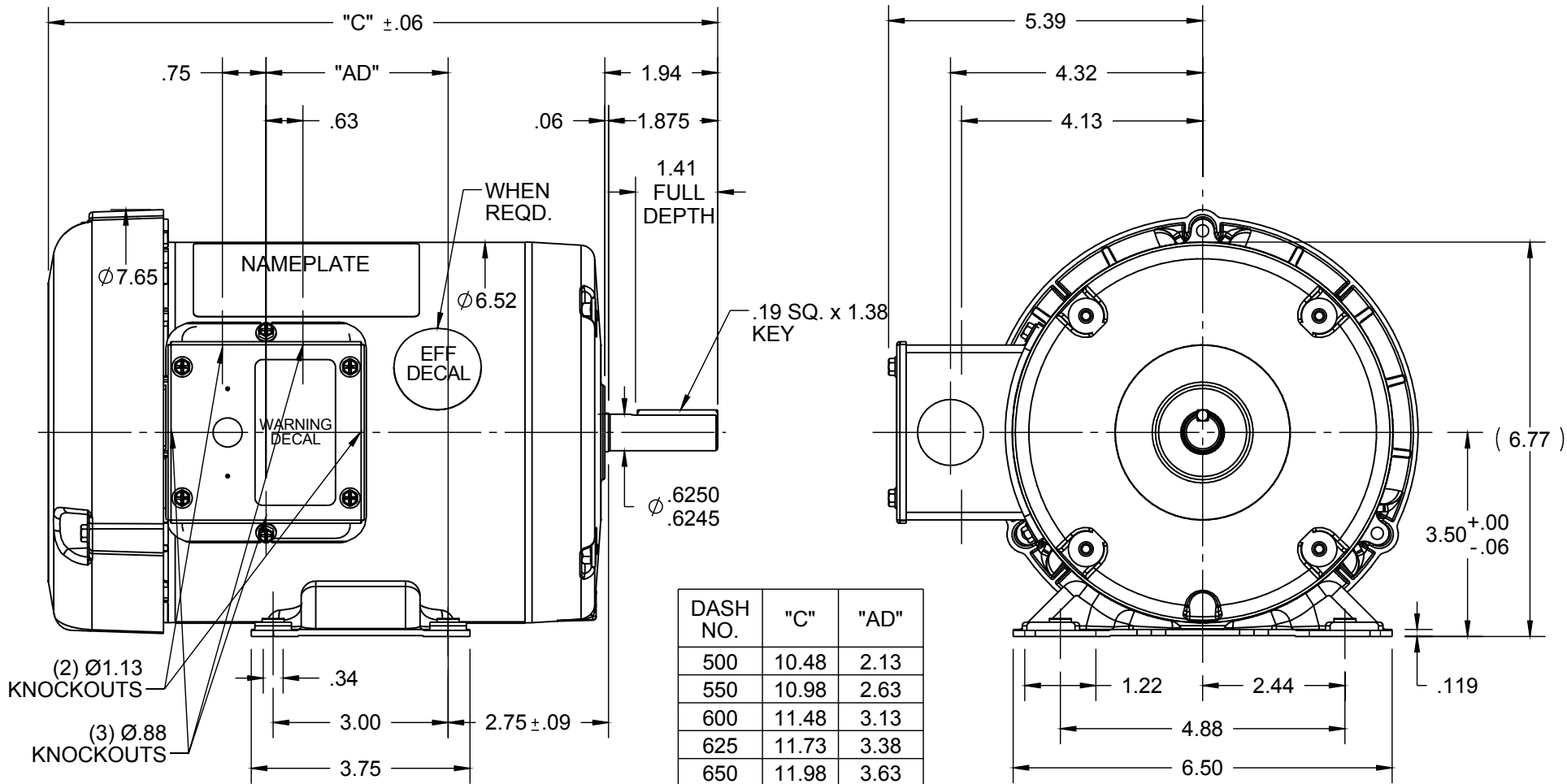
Nameplate Specifications

Output HP	0.75 Hp	Output KW	0.56 kW
Frequency	60 Hz	Voltage	575 V
Current	1.2 A	Speed	1140 rpm
Service Factor	1.15	Phase	3
Efficiency	75.5 %	Duty	Continuous
Insulation Class	B	Design Code	B
KVA Code	J	Frame	56
Enclosure	Totally Enclosed Fan Cooled	Overload Protector	No
Ambient Temperature	40 °C	Drive End Bearing Size	6203
Opp Drive End Bearing Size	6203	UL	Recognized
CSA	Y	CE	N
IP Code	54		

Technical Specifications

Electrical Type	Squirrel Cage Induction Run	Starting Method	Across The Line
Poles	6	Rotation	Reversible
Mounting	Rigid base	Motor Orientation	HORIZONTAL
Drive End Bearing	BALL	Opp Drive End Bearing	BALL
Frame Material	Rolled Steel	Shaft Type	NEMA 56
Overall Length	11.48 in	Frame Length	6.00 in
Shaft Diameter	0.625 in	Shaft Extension	1.88 in
Assembly/Box Mounting	F1 ONLY		
Outline Drawing	028781-600	Connection Diagram	005102.01


This is an uncontrolled document once printed or downloaded and is subject to change without notice. Date Created: 10/15/2018



DASH NO.	"C"	"AD"
500	10.48	2.13
550	10.98	2.63
600	11.48	3.13
625	11.73	3.38
650	11.98	3.63
675	12.23	3.88
700	12.48	4.13
750	12.98	4.63

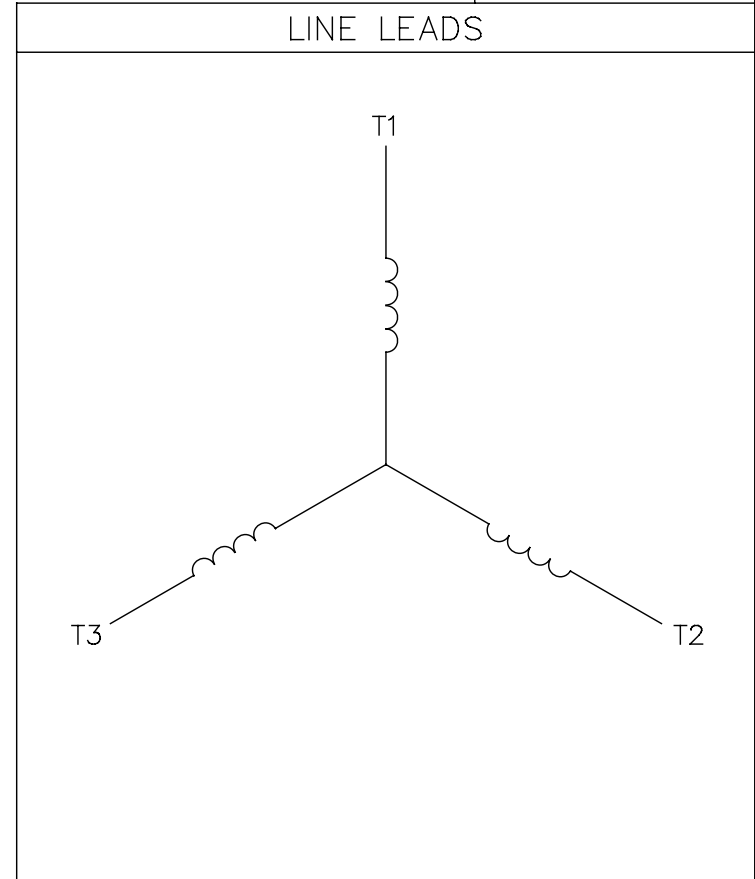
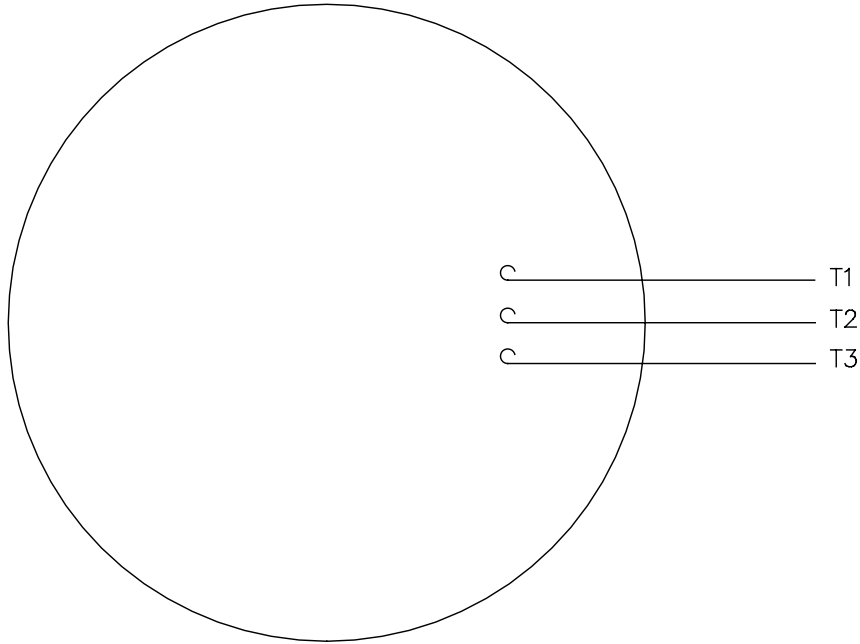
NOTES:
1) GASKETS THROUGHOUT

ORACLE
REV
003

DRAWING REVISION E		REVISION BY LK		DATE 11/24/2015		TOLERANCES UNLESS OTHERWISE SPECIFIED:		DRAWN BY KMM		 Regal Beloit America, Inc.	
ECO ECO-0089388		APPROVED BY GRB		DATE 11/24/2015		DEC. INCH mm ANGLE .X ±0.1 [±2.5] ±0.5° .XX ±0.03 [±0.76] .XXX ±0.005 [±0.127] .XXXX ±0.0005 [±0.0127]		DATE 08/10/07		DESCRIPTION	
ECO DESCRIPTION ADDED DASH #675 PER NMR-0089703						REMOVE BURRS & BREAK SHARP EDGES: .003/.015 [.076/.381] X 45° CORNER FILLETS: R.02 [.51] MACHINED SURFACES: 125/3.2 INCH/mm		APPROVED BY		MATERIAL	
COPYRIGHT REGAL BELOIT AMERICA, INC. ALL RIGHTS RESERVED. PROPRIETARY AND CONFIDENTIAL INFORMATION - THIS DOCUMENT IS THE PROPERTY OF REGAL BELOIT AMERICA, INC. ("OWNER") AND CONTAINS OWNER'S PROPRIETARY INFORMATION. ANY PERSON, CORPORATION OR OTHER FIRM RECEIVING IT IS DEEMED, BY RECEIVING IT, TO AGREE THAT IT, AND/OR ANY PART OF IT, SHALL NOT BE DISCLOSED TO ANY PERSON, CORPORATION OR OTHER ENTITY, DUPLICATED, AND/OR USED, EXCEPT AS EXPRESSLY APPROVED IN WRITING IN ADVANCE BY OWNER. THIS DOCUMENT SHALL BE RETURNED TO OWNER UPON REQUEST. IT MAY BE SUBJECT TO CERTAIN RESTRICTIONS UNDER APPLICABLE EXPORT CONTROL LAWS AND REGULATIONS.						mm SHOWN IN [BRACKETS]		DATE		OUTLINE 56 FRAME TEFC - RIGID	
REFERENCE 600053				THIRD ANGLE PROJECTION		SIZE A		DRAWING NUMBER 028781		PROCESS/FINISH GENERAL PURPOSE	
										SHEET 1 OF 1	

005102-01

VIEW FROM OUTSIDE OF MOTOR AT SWITCH END.



CONNECT LEADS AS FOLLOWS
FOR FOUR CONDUCTOR CORD ()

CORD	L1 (RED)	L2 (WHITE)	L3 (BLACK)	(GREEN)
MOTOR	T1	T2	T3	GROUND

				TOLERANCES UNLESS SPECIFIED		Regal Beloit America, Inc.		DRAWN JRW 9/11/75		
				DEC.	INCHES			CHK		
				.X	±.1	EXTERNAL WIRING DIAGRAM TYPE "T" W/O PROTECTOR		APPD JCW 9/11/75		
08	UPDATED TO REGAL LOGO	SAJ 06/26/15	AJY .XX	±.01	SCALE 1=1					
07	UPDATED TO CURRENT STANDARDS	DBT 5/30/97	.XXX	±.005	REF W-T6343-6					
06	REDRAWN ON CAD; ADDED DECAL NUMBER	SAW 1/24/95	.XXXX	±.0005	FMF 6T17FB7					
NO.	REVISION	BY & DATE	CHK	ANG	±1/2"	FINISH	PREV			
THIS DRAWING IN DESIGN AND DETAIL IS OUR PROPERTY AND MUST NOT BE USED EXCEPT IN CONNECTION WITH OUR WORK ALL RIGHTS OF DESIGN AND INVENTION ARE RESERVED THIS IS AN ELECTRONICALLY GENERATED DOCUMENT - DO NOT SCALE THIS PRINT				RFP	5/1/02	CAD FILE	00510201	SIZE	DRAWING NO.	REV.
				DIST		BRF-NLV	A	005102-01	08	



P.O. BOX 8003
WAUSAU, WI 54401-8003
PH. 715-675-3311

DATA VOLTS: 460

CERTIFICATION DATA SHEET

CONN. DIAGRAM: 005102.01
OUTLINE: 028781-600
WINDING: T63642

CAT #: 111394.00

FR 4

TYPICAL MOTOR PERFORMANCE DATA

HP	KW	SYNC RPM	FL RPM	FRAME	ENCLOSURE	TYPE	KVA CODE	DESIGN				
0.75	0.56	1200	1155	56	TEFC	NA	J	B				
PH	HZ	VOLTS	AMPS	START TYPE	DUTY	INSL	S.F.	AMB	ELEV.			
3	60	575	1.2	ACROSS THE LINE	CONT	B	1.15	40	3300			
F.L. EFF	F.L. PF	3/4 LD EFF	3/4 LD PF	74.0	50.0	1/2 LD EFF	1/2 LD PF	70.4	39.2	0.0	ELECT. TYPE	SO CAGE IND RUN
F.L. TORQUE	LR AMPS @ 460 V	5.7	7.8	LB-FT	229%	10.5	LB-FT	309%	66	F.L. RISE (°C)		
3.4	LB-FT	POWER	ROTOR WK²	MAX. LOAD WK²	SAFE STALL TIME	STARTS/HOUR	MOTOR WGT					
999	DBA	1008	DBA	0.09	LB-FT²	0.1	LB-FT²	0	SEC.	0	LB.	

*** SUPPLEMENTAL INFORMATION ***

DE BRACKET TYPE	ODE BRACKET TYPE	MOUNT TYPE	MOTOR ORIENTATION	SEVERE DUTY	HAZARDOUS LOCATION	DRIP COVER	SCREENS	PAINT
STANDARD	STANDARD	RIGID	HORIZONTAL	NO	NONE	NO	NONE	JE - LEESON (ENAM)
BEARINGS DE	GREASE	SHAFT TYPE	SPECIAL DE	SPECIAL ODE	SHAFT MATERIAL	FRAME MATERIAL		
BALL BALL 6203	POLYREX EM 6203	STANDARD 56	NONE	NONE	1144 STRESSPROOF (C-223)	ROLLED STEEL		
THERMOSTATS	PROTECTORS	WDG RTD's	BRG RTD's	THERMISTORS	CONTROL	SPACE HEATERS		
NONE	NOT	NONE	NONE	NONE	FALSE	NA		
R1 (ohms/ph)	R2 (ohms/ph)	X1 (ohms/ph)	X2 (ohms/ph)	Xm (ohms/ph)	VIBRATION (in/sec)	FLOAT ODE		
0	0	0	0	0	0.080			

* NOT TESTED		INVERTER TORQUE: NONE
		INV. HP SPEED RANGE: NONE
		ENCODER: NONE
		NONE
		BRAKE: NONE
		NONE
		FT-LB: NA
		NONE
		VOLTAGE: NONE
		NONE
		UL: Y-(LEESON UL REC)

DATE:	2/20/2018	HZ:	
-------	-----------	-----	--

