

PRODUCT INFORMATION PACKET



Model No: A6P17NZ6E

Catalog No: 111348.00

1/3HP..1625RPM.56H.TENV./V.1PH.60HZ.AIROVER.AUTOMATIC.40C.1.0SF.SPECIAL.AG - FAN & BLOWER.A6P17NZ6E

Agricultural



Regal and Leeson are trademarks of Regal Beloit Corporation or one of its affiliated companies.

©2018 Regal Beloit Corporation, All Rights Reserved. MC017097E





Nameplate Specifications

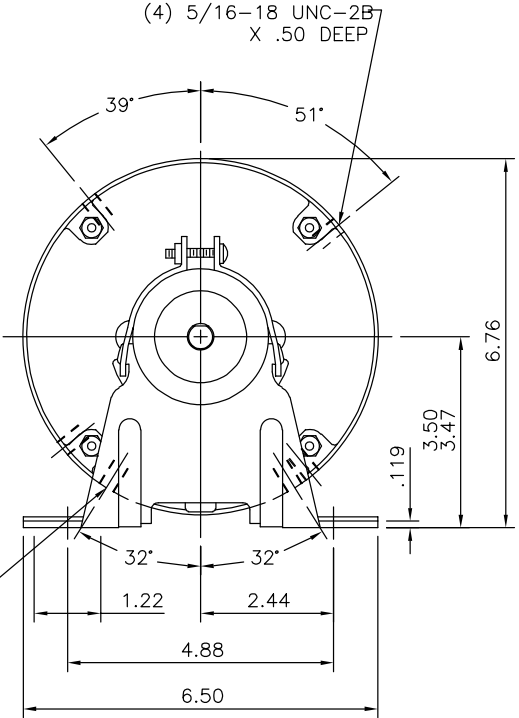
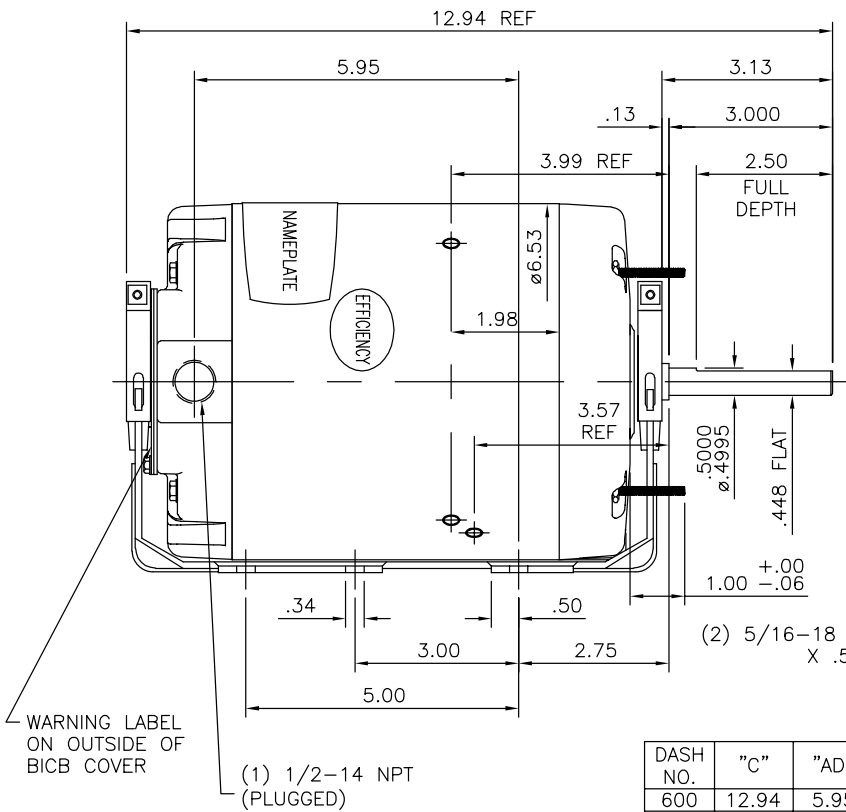
Output HP	0.33 Hp	Output KW	0.25 kW
Frequency	60 Hz	Voltage	115/230 V
Current	3.4/1.7 A	Speed	1625 rpm
Service Factor	1	Phase	1
Efficiency	66 %	Duty	Continuous
Insulation Class	B	Design Code	NO DESIGN CODE
KVA Code	F	Frame	56HY
Enclosure	Totally Enclosed Air Over	Overload Protector	Automatic
Ambient Temperature	40 °C	Drive End Bearing Size	6203
Opp Drive End Bearing Size	6203	UL	Recognized
CSA	Y	CE	N
IP Code	43		

Technical Specifications

Electrical Type	Permanent Split Capacitor	Starting Method	Across The Line
Poles	4	Rotation	Selective Counterclockwise
Mounting	Resilient Base - Extended Studs	Motor Orientation	HORIZONTAL
Drive End Bearing	BALL	Opp Drive End Bearing	BALL
Frame Material	Rolled Steel	Shaft Type	Single Special Extension
Overall Length	12.94 in	Frame Length	6.00 in
Shaft Diameter	0.500 in	Shaft Extension	3 in
Assembly/Box Mounting	F1 ONLY		
Outline Drawing	028762-600	Connection Diagram	005109.03

This is an uncontrolled document once printed or downloaded and is subject to change without notice. Date Created: 10/15/2018

028762



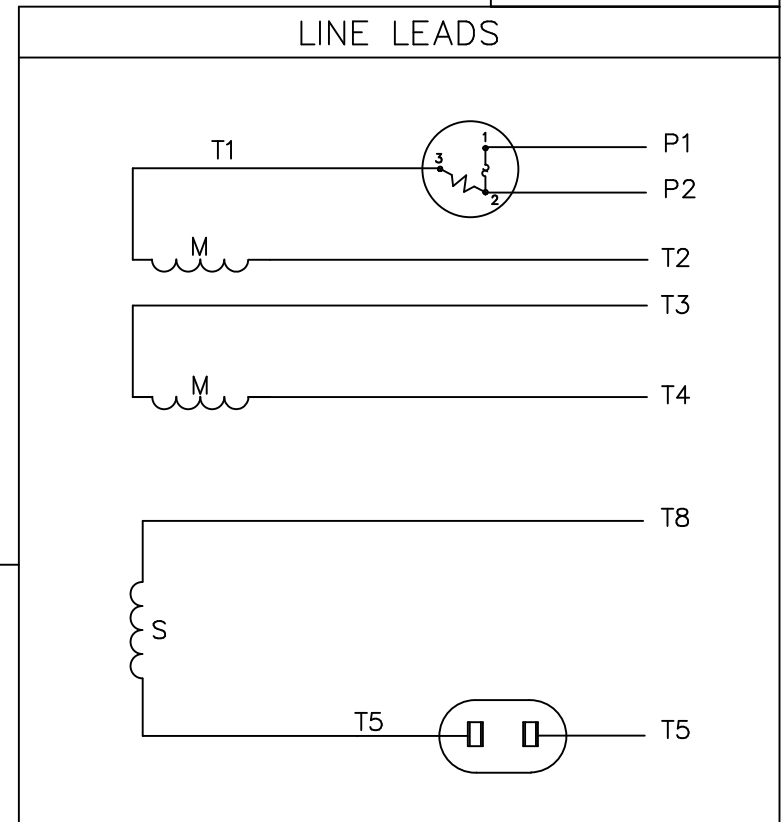
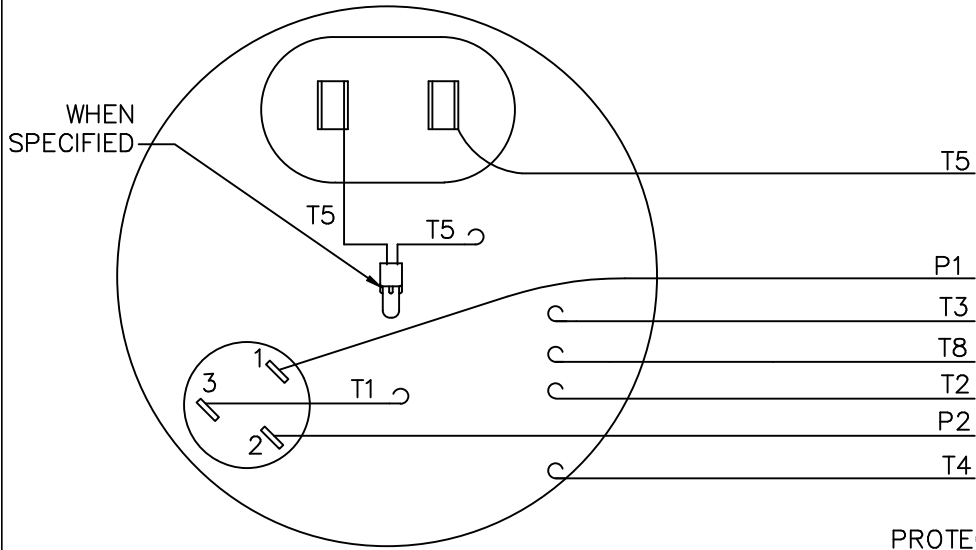
DASH NO.	"C"	"AD"
600	12.94	5.95
650	13.44	6.45
700	13.94	6.95
750	14.44	7.45

GASKETS THROUGHOUT
NOTE: BASE SHIPPED SEPARATE

		TOLERANCES UNLESS SPECIFIED			ELECTRIC MOTORS GEARMOTORS AND DRIVES	DRAWN RDW 9/23/06	
		DEC.	INCHES			CHK	
		.X	±.1			APPD KH 9/23/06	
		.XX	±.03			SCALE 3=8	
		.XXX	±.005	REF 032910			
01	MOVED WARNING LABEL TO BICB PER ECR-0058827	ARV 05/22/14	SK .XXX	±.0005	MAT'L.	FMF	
NO.	REVISION	BY & DATE	CHK	ANG ±1/2°	FINISH	PREV	
THIS DRAWING IN DESIGN AND DETAIL IS OUR PROPERTY AND MUST NOT BE USED EXCEPT IN CONNECTION WITH OUR WORK ALL RIGHTS OF DESIGN AND INVENTION ARE RESERVED THIS IS AN ELECTRONICALLY GENERATED DOCUMENT - DO NOT SCALE THIS PRINT			RFP 9/23/06	CAD FILE 028762	SIZE A	DRAWING NO. 028762	REV. 01
			DIST BRF-NLV				

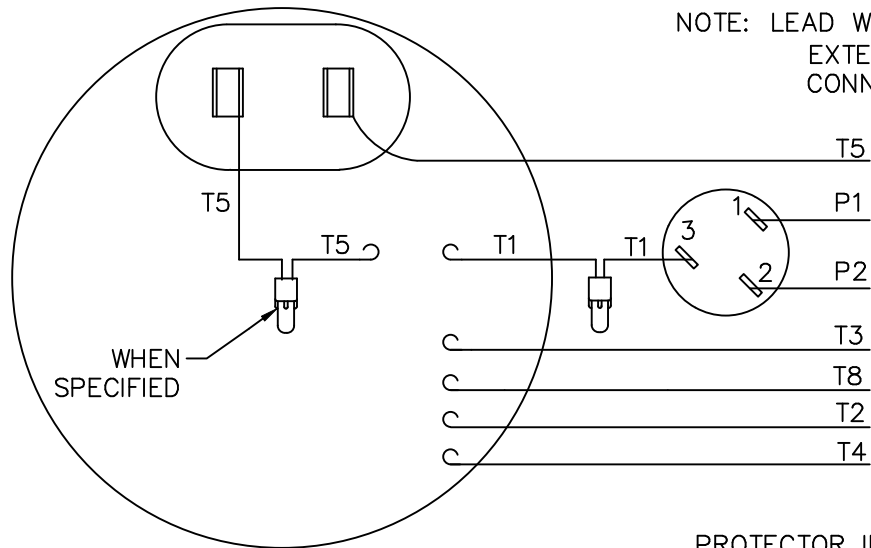
VIEWS FROM OUTSIDE OF MOTOR AT LEAD END.

005109-03



	ROTATION FACING LEAD END	L1	L2	JOIN	INSULATE SEPARATELY
HIGH VOLT	C.C.W.	P1	T4 T5	T2, T3 T8	P2
	C.W.	P1	T4 T8	T2, T3 T5	P2
LOW VOLT	C.C.W.	P1	T2, T4 T5	P2, T3 T8	--
	C.W.	P1	T2, T4 T8	P2, T3 T5	--

NOTE: LEAD WIRE INSULATION TO EXTEND MIN. 1/4" INTO CONNECTOR INSULATION



		TOLERANCES UNLESS SPECIFIED		LEESON ELECTRIC MOTORS GEARMOTORS AND DRIVES		DRAWN PG 3/1/82	
		DEC.	INCHES	TITLE		CHK KG 3/1/82	
		.X	±.1	EXTERNAL WIRING DIAGRAM TYPE "P" W/PROTECTOR		APPD	
		.XX	±.01	MAT'L. DECAL - 004011		SCALE 1=1	
		.XXX	±.005	FINISH		REF PAGE 1	
01	ADDED "WHEN SPECIFIED"	KAZ	3/31/92	.XXXX	±.0005	FMF W-P63416	
NO.	REVISION	BY & DATE	CHK	ANG	±1/2"	PREV	
THIS DRAWING IN DESIGN AND DETAIL IS OUR PROPERTY AND MUST NOT BE USED EXCEPT IN CONNECTION WITH OUR WORK ALL RIGHTS OF DESIGN AND INVENTION ARE RESERVED THIS IS AN ELECTRONICALLY GENERATED DOCUMENT - DO NOT SCALE THIS PRINT				RFP	CAD FILE	00510903	SIZE
				DIST	DRAWING NO.		REV.
						A	005109-03
							01

7/29/2009 11:28:11 AM

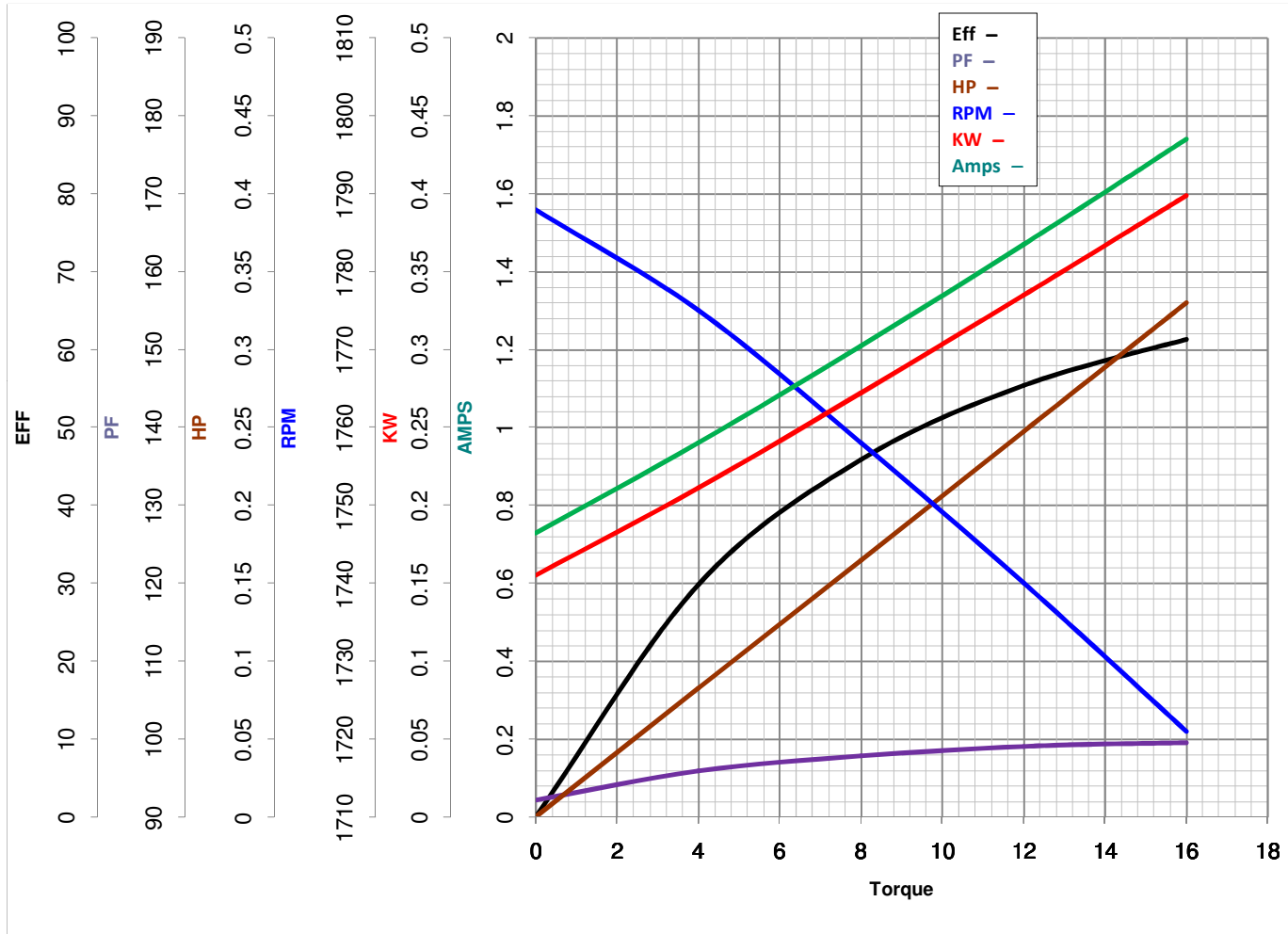


LEESON ELECTRIC CORPORATION
 TYPICAL PERFORMANCE CURVE for AC MOTOR

Model No 111348.00

Catalog No 111348.00

Curve at 230 Volts HP 0.34 PHASE 1
60 HZ
0.33 HP VOLTS 115/230
 HZ 60 RPM 1625



Torque in Oz.Ft

FL TORQUE 16 Oz.Ft
 BD TORQUE 36.4 Oz.Ft
 LR TORQUE 6.9 Oz.Ft

FL AMPS 3.4/1.7
 PU TORQUE 5.7 Oz.Ft
 LR AMPS 7.13

WINDING P634133-3

Date 3/13/2018