

# PRODUCT INFORMATION PACKET



Model No: C6C34NB16J

Catalog No: 111333.00

1HP..3450RPM.56.TENV.115/208-230V.1PH.60HZ.CONT.NOT.40C.1.0SF.RIGID.AG - FAN & BLOWER.C6C34NB16J

Agricultural



Regal and Leeson are trademarks of Regal Beloit Corporation or one of its affiliated companies.

©2018 Regal Beloit Corporation, All Rights Reserved. MC017097E





### Nameplate Specifications

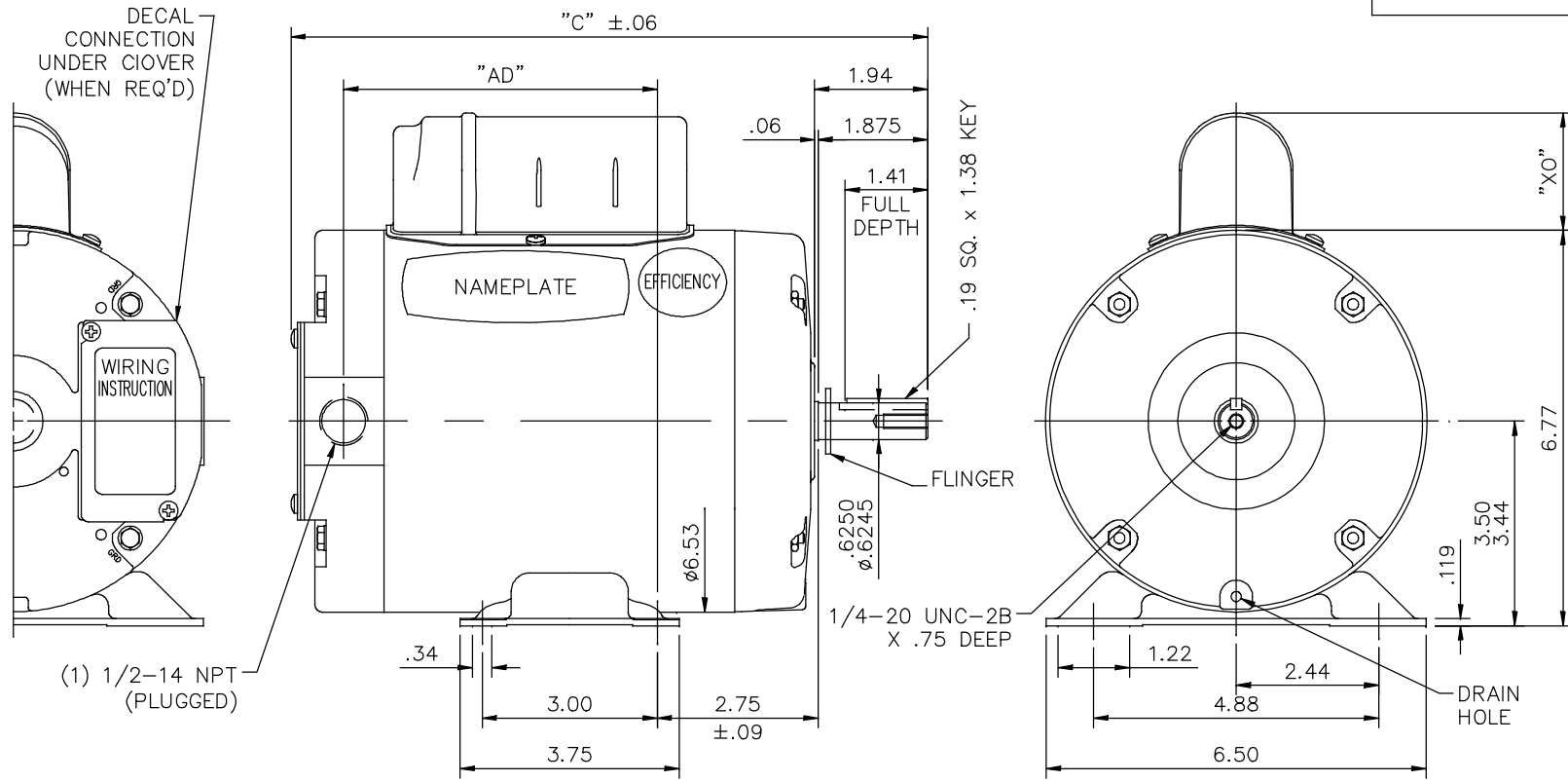
Output HP	<b>1 Hp</b>	Output KW	<b>0.75 kW</b>
Frequency	<b>60 Hz</b>	Voltage	<b>115/208-230 V</b>
Current	<b>12.0/6.2-6.0 A</b>	Speed	<b>3450 rpm</b>
Service Factor	<b>1</b>	Phase	<b>1</b>
Efficiency	<b>70 %</b>	Duty	<b>Continuous</b>
Insulation Class	<b>B</b>	Design Code	<b>N</b>
KVA Code	<b>J</b>	Frame	<b>56Z</b>
Enclosure	<b>Totally Enclosed Air Over</b>	Overload Protector	<b>No</b>
Ambient Temperature	<b>40 °C</b>	Drive End Bearing Size	<b>6203</b>
Opp Drive End Bearing Size	<b>6203</b>	UL	<b>Recognized</b>
CSA	<b>Y</b>	CE	<b>N</b>
IP Code	<b>43</b>		

### Technical Specifications

Electrical Type	<b>Capacitor Start Induction Run</b>	Starting Method	<b>Across The Line</b>
Poles	<b>2</b>	Rotation	<b>Selective Counterclockwise</b>
Mounting	<b>Rigid base</b>	Motor Orientation	<b>HORIZONTAL</b>
Drive End Bearing	<b>BALL</b>	Opp Drive End Bearing	<b>BALL</b>
Frame Material	<b>Rolled Steel</b>	Shaft Type	<b>Single Special Extension</b>
Overall Length	<b>10.90 in</b>	Frame Length	<b>6.00 in</b>
Shaft Diameter	<b>0.625 in</b>	Shaft Extension	<b>1.87 in</b>
Assembly/Box Mounting	<b>F1 ONLY</b>		
Outline Drawing	<b>028597-600B</b>	Connection Diagram	<b>005005.52</b>

**This is an uncontrolled document once printed or downloaded and is subject to change without notice. Date Created: 10/15/2018**

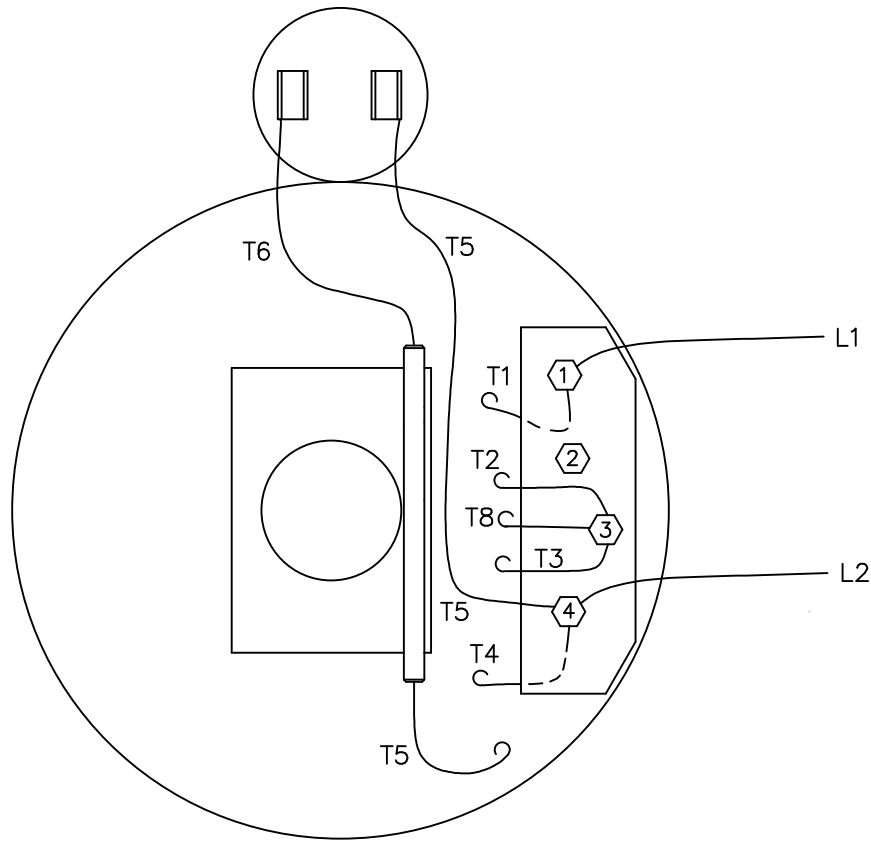
028597



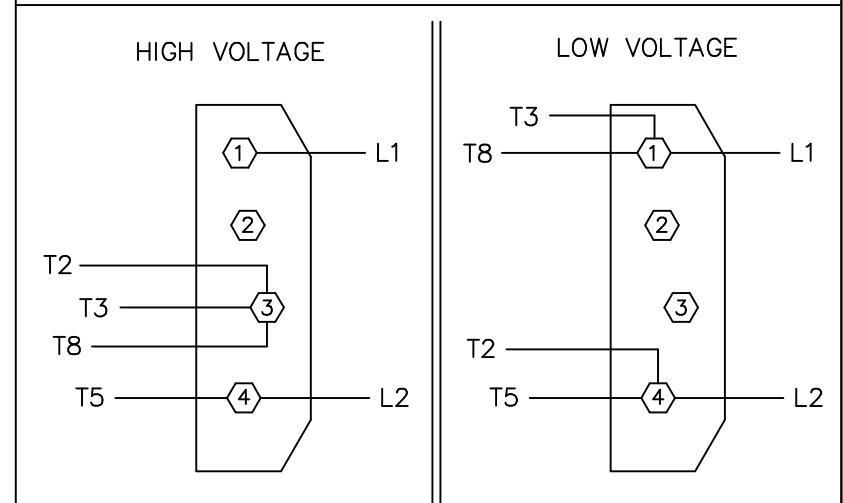
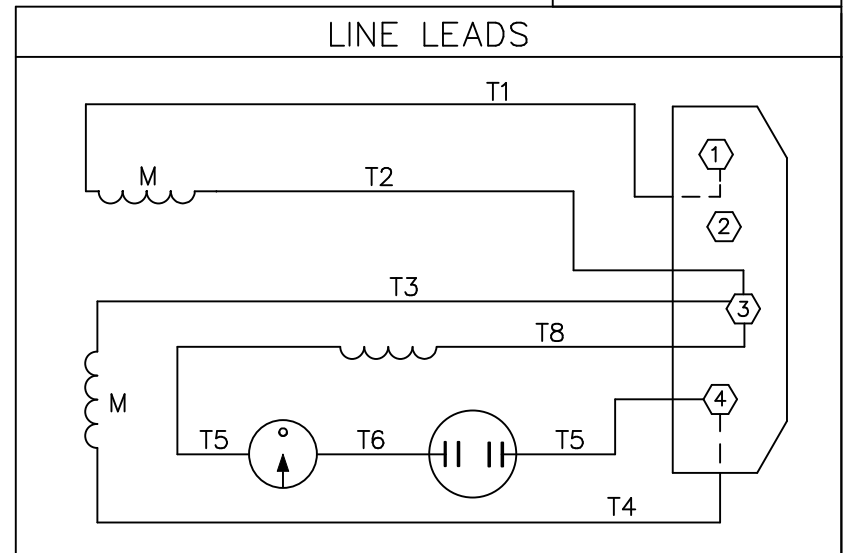
DASH NO.	"C"	"AD"	CAP. DASH	"XO"
500	9.90	4.37	A	1.54
550	10.40	4.87	B	2.01
600	10.90	5.37	C	2.25
650	11.40	5.87		

GASKETS THROUGHOUT

NO.		REVISION		BY & DATE		CHK		ANG		FINISH		SIZE		DRAWING NO.		REV.	
A		ADDED FLINGER		DS 06/12/18		AS		.XXXX		±.0005		A		028597		A	
TOLERANCES UNLESS SPECIFIED DEC. INCHES .X ±.1 .XX ±.03 .XXX ±.005 .XXXX ±.0005 ANG ±1/2'										Regal Beloit America, Inc.		DRAWN RDW 6/28/04 CHK APPD SW 6/28/04 SCALE 3=8 REF FMF PREV					
THIS DRAWING IN DESIGN AND DETAIL IS OUR PROPERTY AND MUST NOT BE USED EXCEPT IN CONNECTION WITH OUR WORK ALL RIGHTS OF DESIGN AND INVENTION ARE RESERVED THIS IS AN ELECTRONICALLY GENERATED DOCUMENT - DO NOT SCALE THIS PRINT										RFP 6/28/04 CAD FILE 028597 DIST BRF-NLV		TITLE OUTLINE - 56Z FRAME TENV - RIGID MAT'L. FAN DUTY					



VIEW FROM OUTSIDE OF MOTOR AT SWITCH END.



C.C.W. ROTATION FACING LEAD END  
INTERCHANGE LEADS T5 & T8 FOR C.W.

				TOLERANCES UNLESS SPECIFIED		LEESON ELECTRIC MOTORS GEARMOTORS AND DRIVES		DRAWN PG 9/14/05	
				DEC.	INCHES	TITLE		CHK	
				.X	±.1	EXTERNAL WIRING DIAGRAM		APPD	
				.XX	±.01	TYPE "C" W/O PROTECTOR		SCALE 1=1	
				.XXX	±.005	MAT'L. DECAL 081209-01		REF 005005-24	
				.XXXX	±.0005	FINISH STANDARD		FMF 115950.00	
NO.	REVISION	BY & DATE	CHK	ANG	±1/2"	CAD FILE 00500552		SIZE	DRAWING NO.
				RFP				A	005005-52
				DIST					REV.

THIS DRAWING IN DESIGN AND DETAIL IS OUR PROPERTY AND MUST NOT BE USED EXCEPT IN CONNECTION WITH OUR WORK ALL RIGHTS OF DESIGN AND INVENTION ARE RESERVED THIS IS AN ELECTRONICALLY GENERATED DOCUMENT - DO NOT SCALE THIS PRINT

