

PRODUCT INFORMATION PACKET



Model No: C6C34NB15H

Catalog No: 111332.00

3/4HP..3450RPM.56.TENV.115/208-230V.1PH.60HZ.AIROVER.NOT.40C.1.0SF.RIGID.AG - FAN &
BLOWER.C6C34NB15H

Agricultural



Regal and Leeson are trademarks of Regal Beloit Corporation or one of its affiliated companies.

©2018 Regal Beloit Corporation, All Rights Reserved. MC017097E





Nameplate Specifications

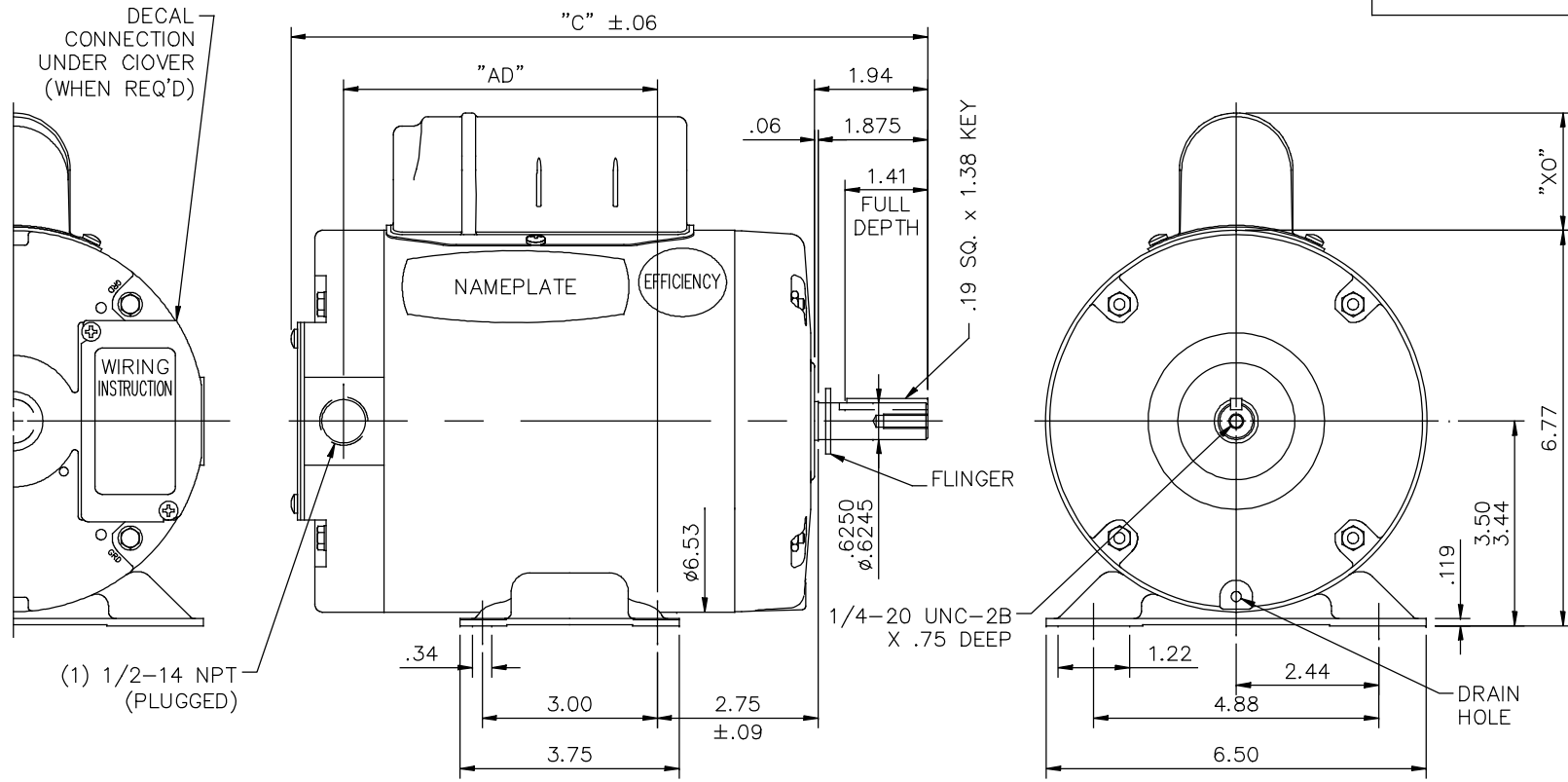
Output HP	0.75 Hp	Output KW	0.56 kW
Frequency	60 Hz	Voltage	115/208-230 V
Current	10.0/5.2-5.0 A	Speed	3450 rpm
Service Factor	1	Phase	1
Efficiency	64 %	Duty	Continuous
Insulation Class	B	Design Code	N
KVA Code	L	Frame	56Z
Enclosure	Totally Enclosed Air Over	Overload Protector	No
Ambient Temperature	40 °C	Drive End Bearing Size	6203
Opp Drive End Bearing Size	6203	UL	Recognized
CSA	Y	CE	N
IP Code	43		

Technical Specifications

Electrical Type	Capacitor Start Capacitor Run	Starting Method	Across The Line
Poles	2	Rotation	Selective Counterclockwise
Mounting	Rigid base	Motor Orientation	HORIZONTAL
Drive End Bearing	BALL	Opp Drive End Bearing	BALL
Frame Material	Rolled Steel	Shaft Type	Single Special Extension
Overall Length	10.90 in	Frame Length	6.00 in
Shaft Diameter	0.625 in	Shaft Extension	1.87 in
Assembly/Box Mounting	F1 ONLY		
Outline Drawing	028597-600B	Connection Diagram	005005.52

This is an uncontrolled document once printed or downloaded and is subject to change without notice. Date Created: 10/15/2018

028597



DASH NO.	"C"	"AD"	CAP. DASH	"XO"
500	9.90	4.37	A	1.54
550	10.40	4.87	B	2.01
600	10.90	5.37	C	2.25
650	11.40	5.87		

GASKETS THROUGHOUT

NO.		REVISION		BY & DATE		CHK		TOLERANCES UNLESS SPECIFIED		DRAWN		RDW 6/28/04	
								DEC.		INCHES		CHK	
								.X		±.1		APPD SW 6/28/04	
								.XX		±.03		SCALE 3=8	
								.XXX		±.005		REF	
A		ADDED FLINGER		DS 06/12/18		AS		.XXXX		±.0005		FMF	
								ANG		±1/2'		PREV	
								RFP		6/28/04		SIZE A	
								CAD FILE		028597		DRAWING NO. 028597	
								DIST		BRF-NLV		REV. A	

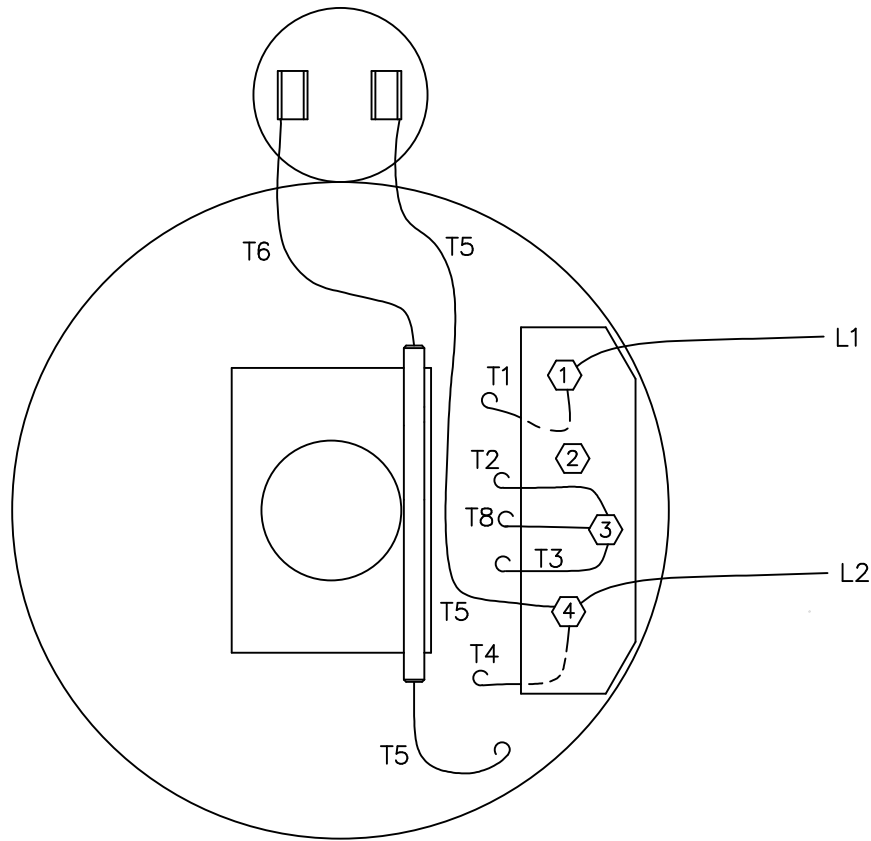


Regal Beloit America, Inc.

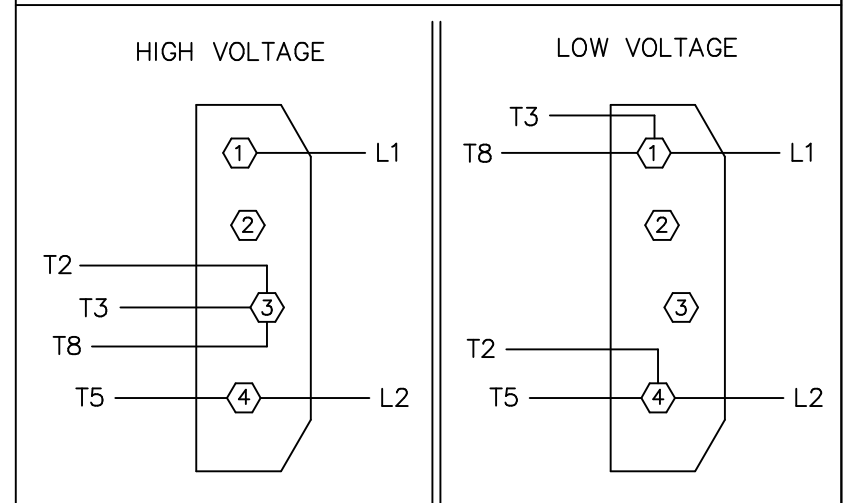
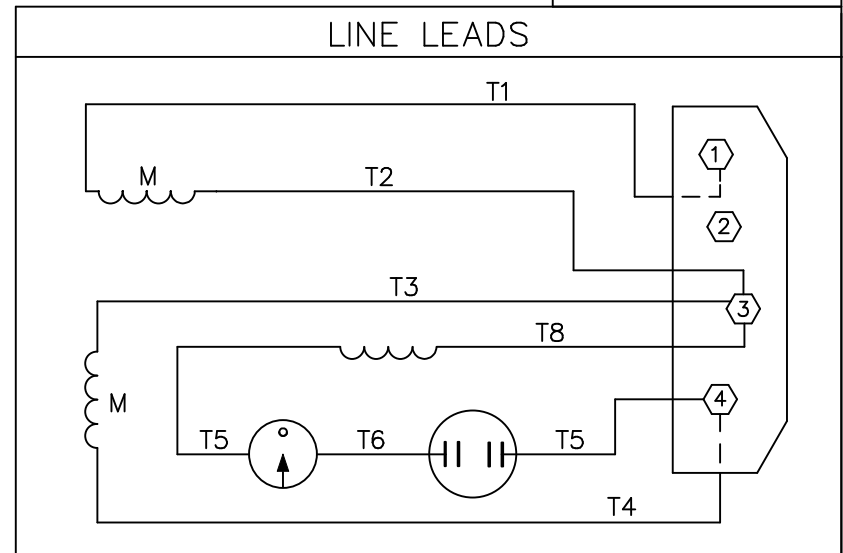
TITLE OUTLINE - 56Z FRAME
TENV - RIGID

MAT'L. FAN DUTY

THIS DRAWING IN DESIGN AND DETAIL IS OUR PROPERTY AND MUST NOT BE USED EXCEPT IN CONNECTION WITH OUR WORK ALL RIGHTS OF DESIGN AND INVENTION ARE RESERVED THIS IS AN ELECTRONICALLY GENERATED DOCUMENT - DO NOT SCALE THIS PRINT




VIEW FROM OUTSIDE OF MOTOR AT SWITCH END.



C.C.W. ROTATION FACING LEAD END
INTERCHANGE LEADS T5 & T8 FOR C.W.

		TOLERANCES UNLESS SPECIFIED	
		DEC.	INCHES
		.X	±.1
		.XX	±.01
		.XXX	±.005
		.XXXX	±.0005
NO.	REVISION	BY & DATE	CHK

	ELECTRIC MOTORS GEARMOTORS AND DRIVES	DRAWN PG 9/14/05
		CHK
		APPD
	TITLE EXTERNAL WIRING DIAGRAM TYPE "C" W/O PROTECTOR	SCALE 1=1
MAT'L. DECAL 081209-01	REF 005005-24	FMF 115950.00
FINISH STANDARD	PREV	

THIS DRAWING IN DESIGN AND DETAIL IS OUR PROPERTY AND MUST NOT BE USED EXCEPT IN CONNECTION WITH OUR WORK ALL RIGHTS OF DESIGN AND INVENTION ARE RESERVED THIS IS AN ELECTRONICALLY GENERATED DOCUMENT - DO NOT SCALE THIS PRINT		RFP	CAD FILE 00500552	SIZE A	DRAWING NO. 005005-52	REV.
		DIST				



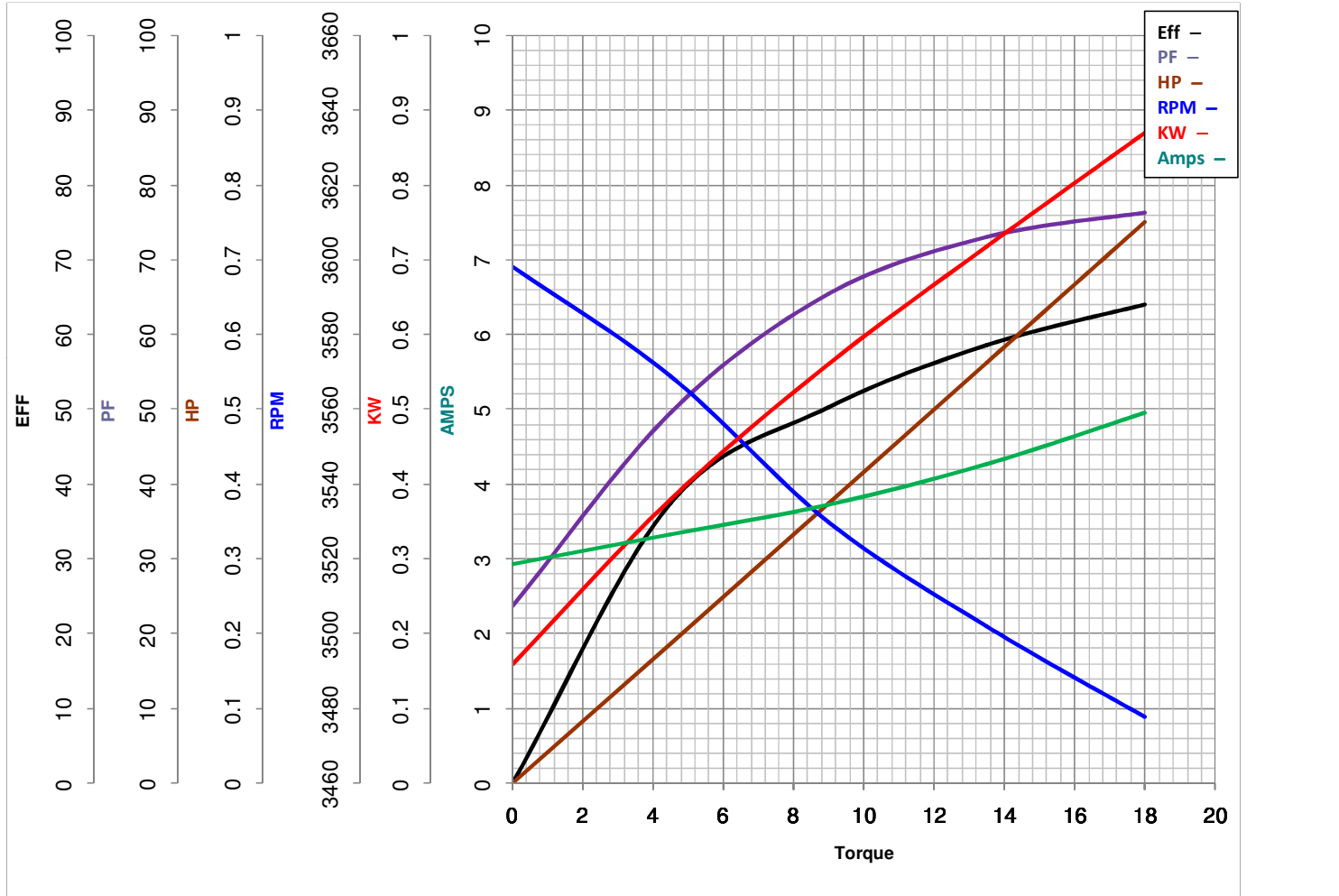
LEESON ELECTRIC CORPORATION
 TYPICAL PERFORMANCE CURVE for AC MOTOR

Model No 111332.00

Catalog No 111332.00

Curve at 230 Volts HP 0.75 PHASE 1
60 HZ
0.75 HP VOLTS 115/208-230

HZ 60 RPM 3450



FL TORQUE	<u>18</u>	Oz.Ft	FL AMPS	<u>10/5.2-5</u>
BD TORQUE	<u>48.0</u>	Oz.Ft	PU TORQUE	<u>45.0</u> Oz.Ft
LR TORQUE	<u>64</u>	Oz.Ft	LR AMPS	<u>30</u>
WINDING	C632210-3		Date	4/12/2018