

PRODUCT INFORMATION PACKET



Model No: A6P11NR2H

Catalog No: 111322.00

3/4HP..1075RPM.56H.TENV./V.1PH.60HZ.AIROVER.AUTOMATIC.40C.1.0SF.RESIL.AG - FAN & BLOWER.A6P11NR2H

Agricultural



Regal and Leeson are trademarks of Regal Beloit Corporation or one of its affiliated companies.

©2018 Regal Beloit Corporation, All Rights Reserved. MC017097E





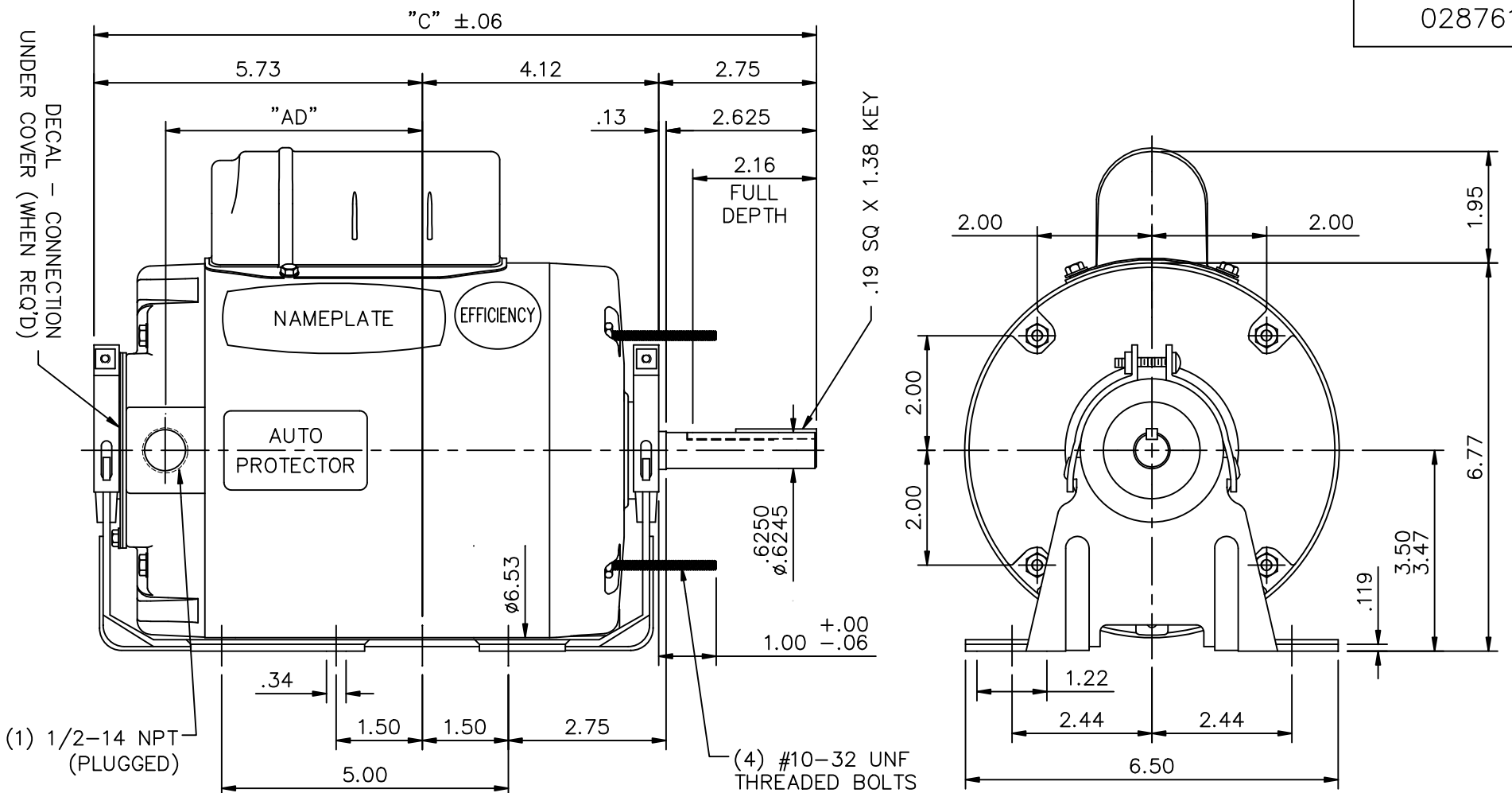
Nameplate Specifications

Output HP	0.75 Hp	Output KW	0.56 kW
Frequency	60 Hz	Voltage	115/230 V
Current	8.0/4.0 A	Speed	1075 rpm
Service Factor	1	Phase	1
Efficiency	70 %	Duty	Continuous
Insulation Class	B	Design Code	NO DESIGN CODE
KVA Code	D	Frame	56HZ
Enclosure	Totally Enclosed Air Over	Overload Protector	Automatic
Ambient Temperature	40 °C	Drive End Bearing Size	6203
Opp Drive End Bearing Size	6203	UL	Recognized
CSA	Y	CE	N
IP Code	43		

Technical Specifications


Electrical Type	Permanent Split Capacitor	Starting Method	Across The Line
Poles	6	Rotation	Selective Counterclockwise
Mounting	Resilient Base	Motor Orientation	HORIZONTAL
Drive End Bearing	BALL	Opp Drive End Bearing	BALL
Frame Material	Rolled Steel	Shaft Type	Single Special Extension
Overall Length	14.10 in	Frame Length	7.50 in
Shaft Diameter	0.625 in	Shaft Extension	2.75 in
Assembly/Box Mounting	F1 ONLY		
Outline Drawing	028761-750	Connection Diagram	005109.01

This is an uncontrolled document once printed or downloaded and is subject to change without notice. Date Created: 10/15/2018

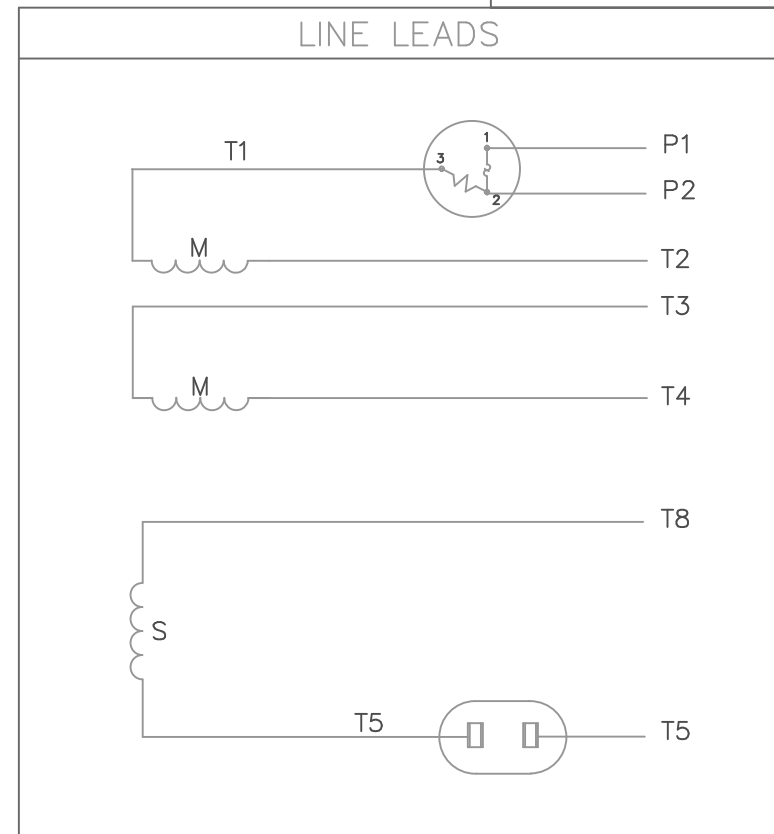
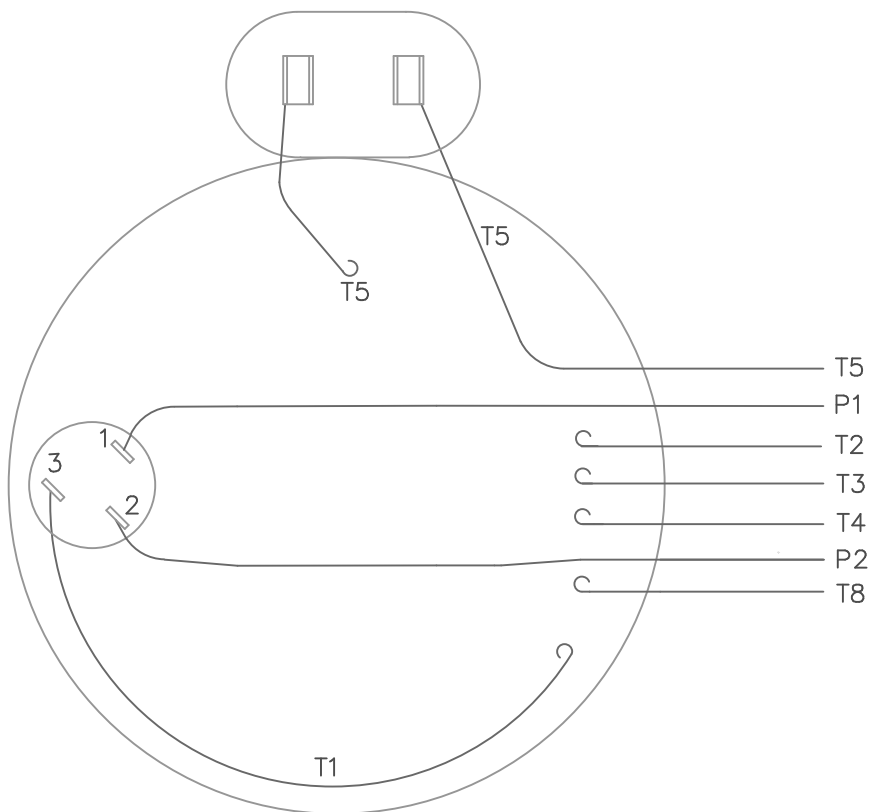


DASH NO.	"C"	"AD"
550	12.10	3.97
600	12.60	4.47
650	13.10	4.97
700	13.60	5.47
750	14.10	5.97

GASKETS THROUGHOUT

				TOLERANCES UNLESS SPECIFIED		 ELECTRIC MOTORS GEARMOTORS AND DRIVES		DRAWN RDW 8/29/06		
				DEC.	INCHES			CHK		
				.X	±.1			APPD KH 8/29/06		
				.XX	±.03			SCALE 3=8		
				.XXX	±.005			REF 033463		
				.XXXX	±.0005	MAT'L.		FMF 111322		
NO.	REVISION	BY & DATE	CHK	ANG	±1/2'	FINISH	PREV			
THIS DRAWING IN DESIGN AND DETAIL IS OUR PROPERTY AND MUST NOT BE USED EXCEPT IN CONNECTION WITH OUR WORK ALL RIGHTS OF DESIGN AND INVENTION ARE RESERVED THIS IS AN ELECTRONICALLY GENERATED DOCUMENT - DO NOT SCALE THIS PRINT				RFP	8/29/06	CAD FILE	028761		SIZE	DRAWING NO.
				DIST					A	028761
										REV.

VIEW FROM OUTSIDE OF MOTOR AT SWITCH END.



	ROTATION FACING LEAD END	L1	L2	JOIN	INSULATE SEPARATELY
HIGH VOLT	C.C.W.	P1	T4 T5	T2, T3 T8	P2
	C.W.	P1	T4 T8	T2, T3 T5	P2
LOW VOLT	C.C.W.	P1	T2, T4 T5	P2, T3 T8	--
	C.W.	P1	T2, T4 T8	P2, T3 T5	--

				TOLERANCES UNLESS OTHERWISE SPECIFIED			LEESON ELECTRIC CORPORATION				
				DEC.	INCHES	METRIC					DRAWN JRW 10/01/75
				.X	±	±	APPR. JBM 10/02/75		EXTERNAL WIRING DIAGRAM		
				.XX	±	±	R.F.P.		TYPE "P" W/PROTECTOR		
08	REDRAWN ON CAD	DBT 05/28/97		.XXX	±	±	SCALE 1=1		MAT'L. DECAL - 004011		
NO.	REVISION	BY & DATE	CH'K'D.	.XXXX	±	±	REF. 005003		FINISH		
THIS DRAWING IN DESIGN AND DETAIL IS OUR PROPERTY AND MUST NOT BE USED EXCEPT IN CONNECTION WITH OUR WORK ALL RIGHTS OF DESIGN AND INVENTION ARE RESERVED THIS IS AN ELECTRONICALLY GENERATED DOCUMENT - DO NOT SCALE THIS PRINT				FRACTIONS ±		REF. 005003		REV. 08		DRAWING NO. 005109-01	
				ANGLES ±		FMF W-P5567					

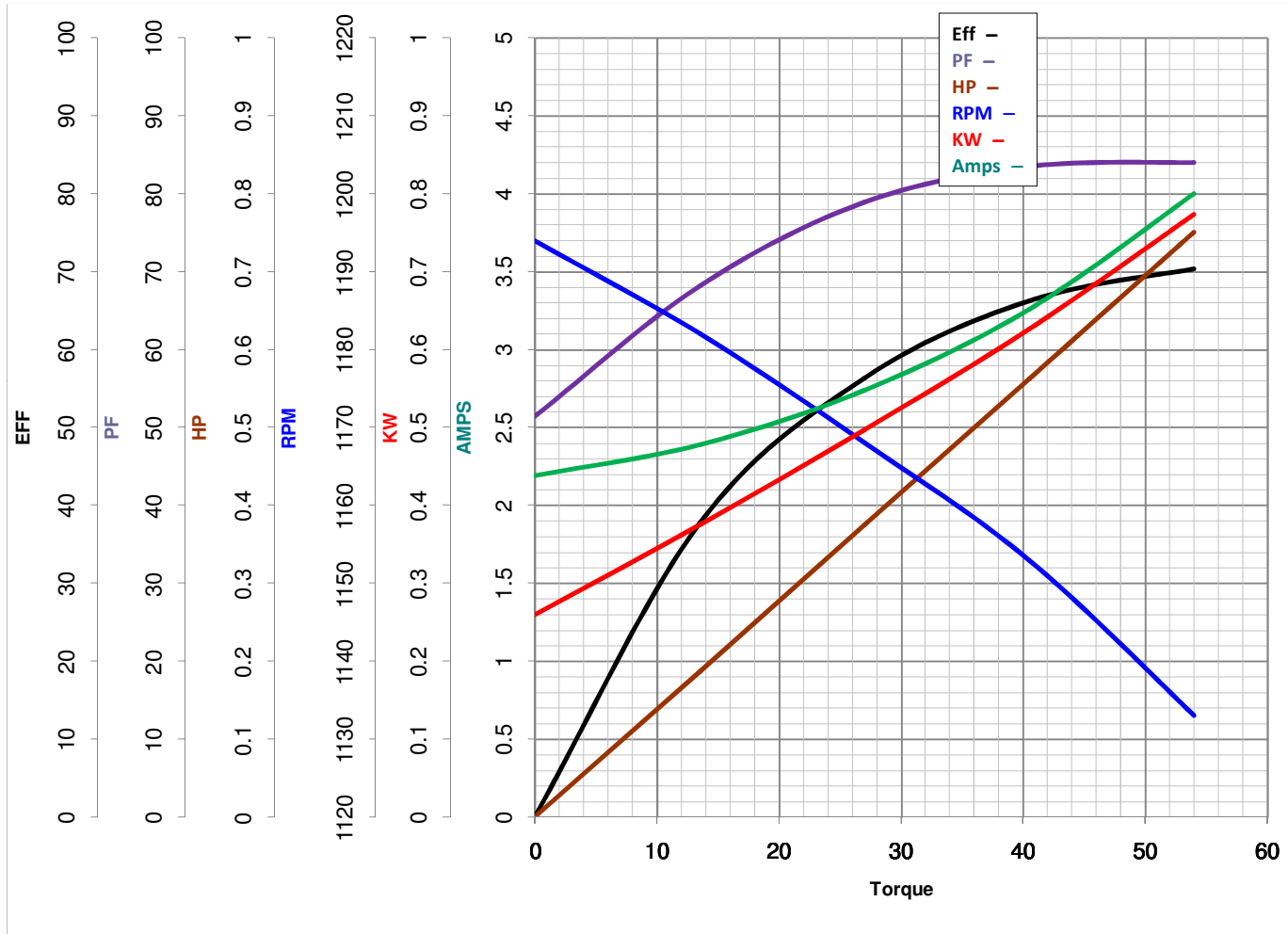


LEESON ELECTRIC CORPORATION
 TYPICAL PERFORMANCE CURVE for AC MOTOR

Model No 111322.00

Catalog No 111322.00

Curve at 230 Volts HP 0.76 PHASE 1
60 HZ
0.75 HP VOLTS 115/230
 HZ 60 RPM 1075



Torque in Oz.Ft

FL TORQUE 54 Oz.Ft
 BD TORQUE 115.0 Oz.Ft
 LR TORQUE 40 Oz.Ft

FL AMPS 43.316
 PU TORQUE 38.0 Oz.Ft
 LR AMPS 14.5

WINDING P63637-3

Date 4/12/2018