

PRODUCT INFORMATION PACKET



Model No: A6P17NR1 G

Catalog No: 111266.00

3/4HP..1625RPM.56H.TENV./V.1PH.60HZ.AIROVER.AUTOMATIC.40C.1.0SF.RESIL.AG - FAN &
BLOWER.A6P17NR1G

Agricultural



Regal and Leeson are trademarks of Regal Beloit Corporation or one of its affiliated companies.

©2018 Regal Beloit Corporation, All Rights Reserved. MC017097E





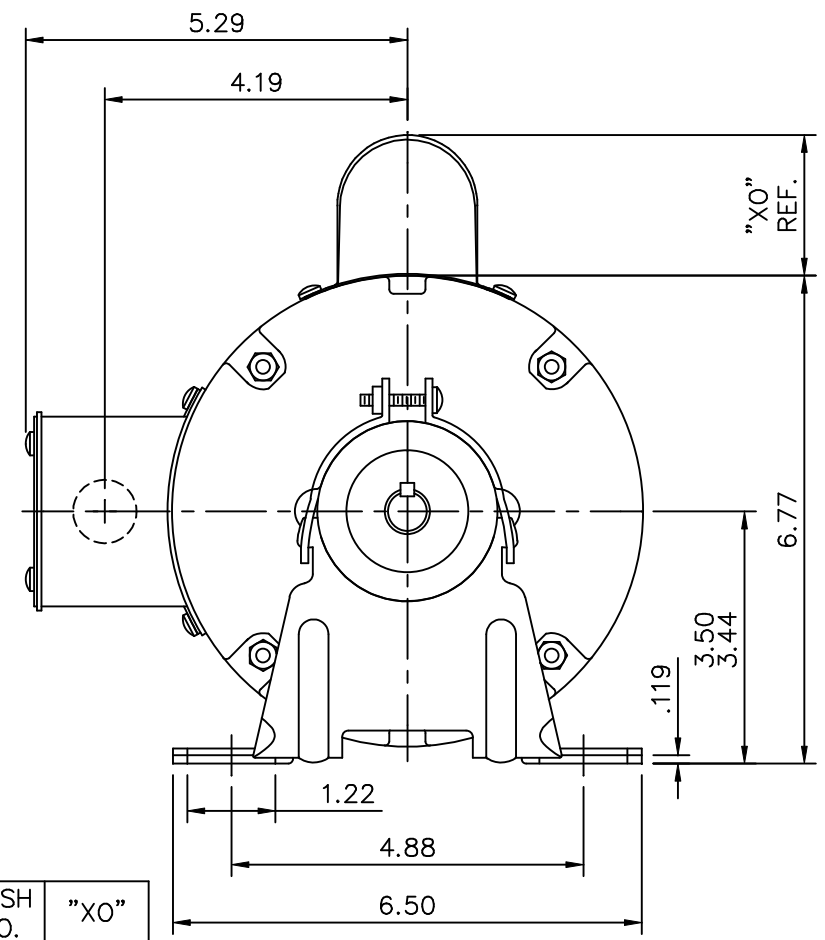
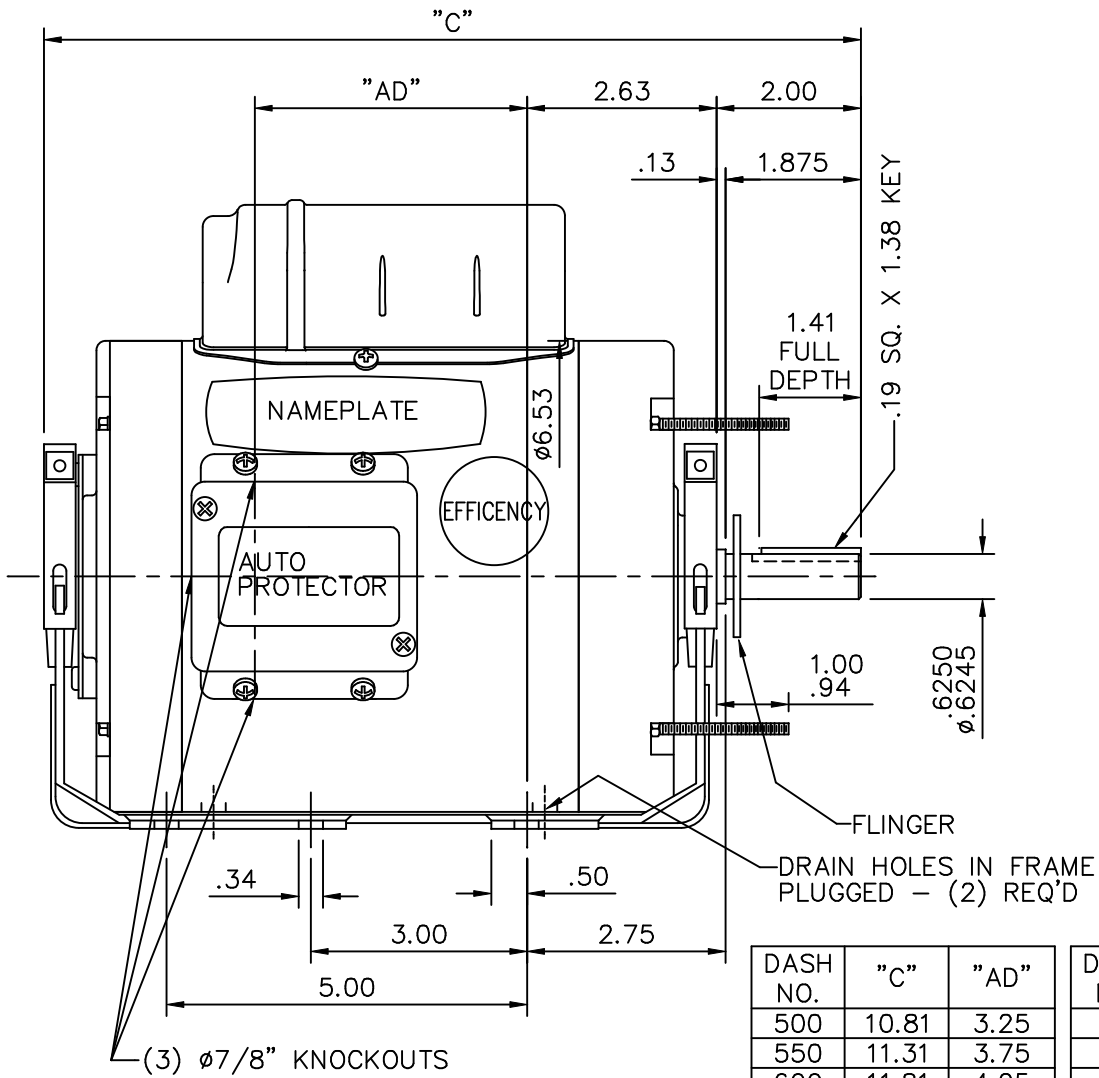
Nameplate Specifications

Output HP	0.75 Hp	Output KW	0.56 kW
Frequency	60 Hz	Voltage	115/230 V
Current	7.0/3.5 A	Speed	1625 rpm
Service Factor	1	Phase	1
Efficiency	72 %	Duty	Continuous
Insulation Class	B	Design Code	NO DESIGN CODE
KVA Code	C	Frame	56H
Enclosure	Totally Enclosed Air Over	Overload Protector	Automatic
Ambient Temperature	40 °C	Drive End Bearing Size	6203
Opp Drive End Bearing Size	6203	UL	Recognized
CSA	Y	CE	N
IP Code	43		

Technical Specifications

Electrical Type	Permanent Split Capacitor	Starting Method	Across The Line
Poles	4	Rotation	Selective Counterclockwise
Mounting	Resilient Base	Motor Orientation	HORIZONTAL
Drive End Bearing	BALL	Opp Drive End Bearing	BALL
Frame Material	Rolled Steel	Shaft Type	NEMA 56
Overall Length	12.31 in	Frame Length	6.50 in
Shaft Diameter	0.625 in	Shaft Extension	1.88 in
Assembly/Box Mounting	F1 ONLY		
Outline Drawing	028583-650B	Connection Diagram	005109.01

This is an uncontrolled document once printed or downloaded and is subject to change without notice. Date Created: 10/15/2018

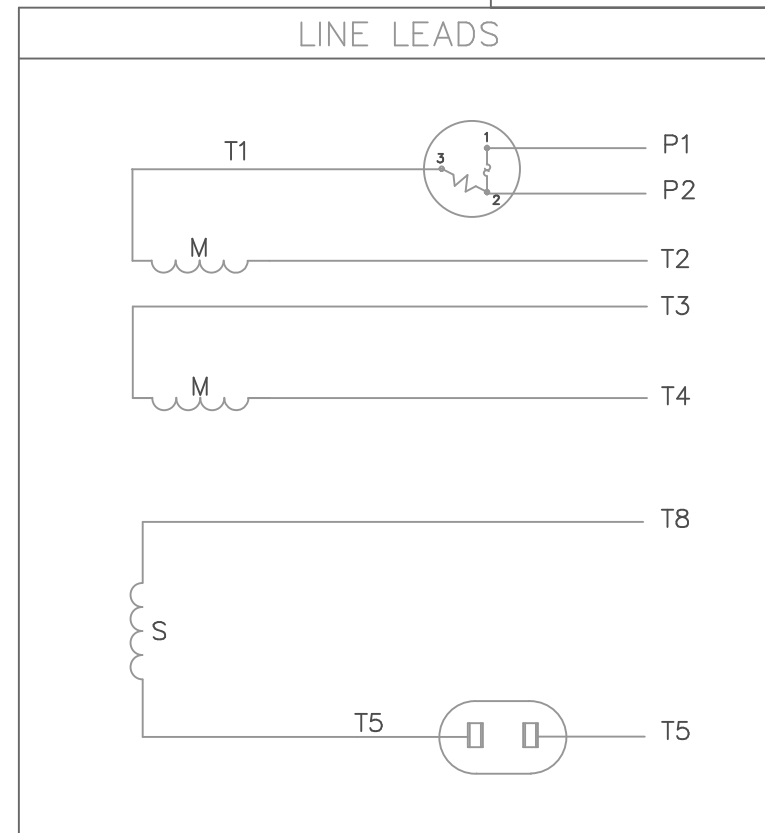
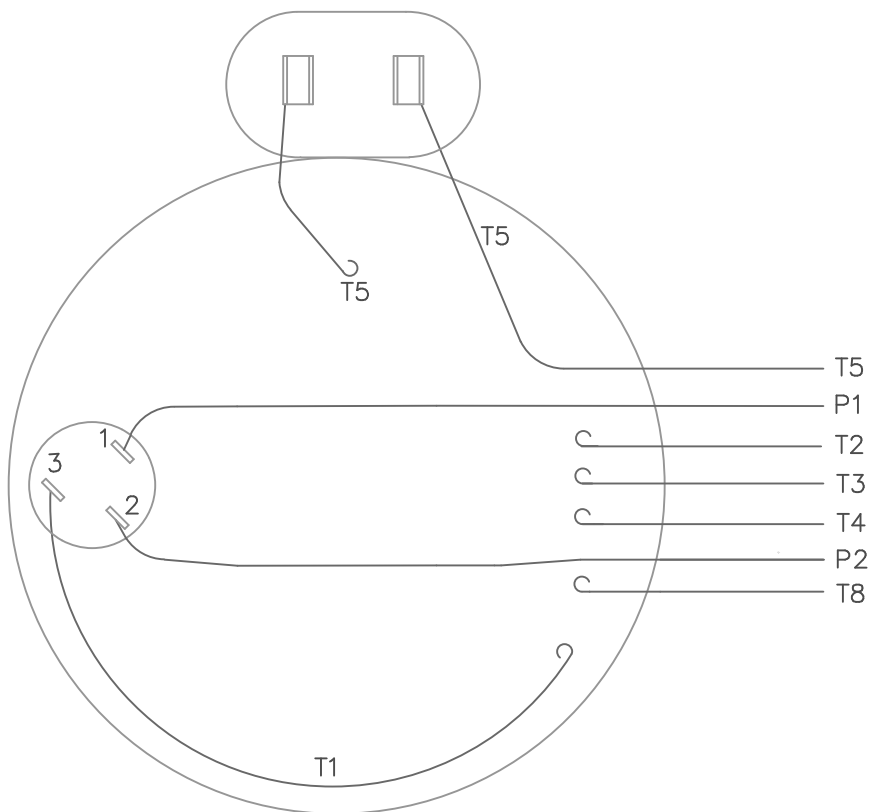


DASH NO.	"C"	"AD"
500	10.81	3.25
550	11.31	3.75
600	11.81	4.25
650	12.31	4.75
700	12.81	5.25

DASH NO.	"XO"
A	1.54
B	2.01
C	2.25

				TOLERANCES UNLESS SPECIFIED		LEESON ELECTRIC MOTORS GEARMOTORS AND DRIVES	DRAWN	LST 3/18/04		
				DEC.	INCHES		CHK	RW 3/18/04		
				.X	±.1		APPD	KH 3/18/04		
				.XX	±.03	TITLE	SCALE	3=8		
02	ADDED "700" TO CHART	RDW 9/19/05	SW	.XXX	±.005	OUTLINE- 56 FRAME TENV- RESILIENT	REF	033328		
01	CHANGED CAP CASE TO NEW STYLE	RLW 6/17/04		.XXXX	±.0005		MAT'L.	FMF	111267	
NO.	REVISION	BY & DATE	CHK	ANG	±1/2"	FINISH	PREV			
THIS DRAWING IN DESIGN AND DETAIL IS OUR PROPERTY AND MUST NOT BE USED EXCEPT IN CONNECTION WITH OUR WORK ALL RIGHTS OF DESIGN AND INVENTION ARE RESERVED THIS IS AN ELECTRONICALLY GENERATED DOCUMENT - DO NOT SCALE THIS PRINT				RFP		CAD FILE	028583	SIZE	DRAWING NO.	REV.
				DIST				A	028583	02

VIEW FROM OUTSIDE OF MOTOR AT SWITCH END.



	ROTATION FACING LEAD END	L1	L2	JOIN	INSULATE SEPARATELY
HIGH VOLT	C.C.W.	P1	T4 T5	T2, T3 T8	P2
	C.W.	P1	T4 T8	T2, T3 T5	P2
LOW VOLT	C.C.W.	P1	T2, T4 T5	P2, T3 T8	--
	C.W.	P1	T2, T4 T8	P2, T3 T5	--

				TOLERANCES UNLESS OTHERWISE SPECIFIED			LEESON ELECTRIC CORPORATION				
				DEC.	INCHES	METRIC					DRAWN JRW 10/01/75
				.X	±	±	APPR. JBM 10/02/75		EXTERNAL WIRING DIAGRAM		
				.XX	±	±	R.F.P.		TYPE "P" W/PROTECTOR		
08	REDRAWN ON CAD	DBT 05/28/97		.XXX	±	±	SCALE 1=1		MAT'L. DECAL - 004011		
NO.	REVISION	BY & DATE	CH'K'D.	.XXXX	±	±	REF. 005003		FINISH		
THIS DRAWING IN DESIGN AND DETAIL IS OUR PROPERTY AND MUST NOT BE USED EXCEPT IN CONNECTION WITH OUR WORK ALL RIGHTS OF DESIGN AND INVENTION ARE RESERVED THIS IS AN ELECTRONICALLY GENERATED DOCUMENT - DO NOT SCALE THIS PRINT				FRACTIONS		±	REF. 005003		REV. 08		DRAWING NO. 005109-01
				ANGLES		±	FMF W-P5567				

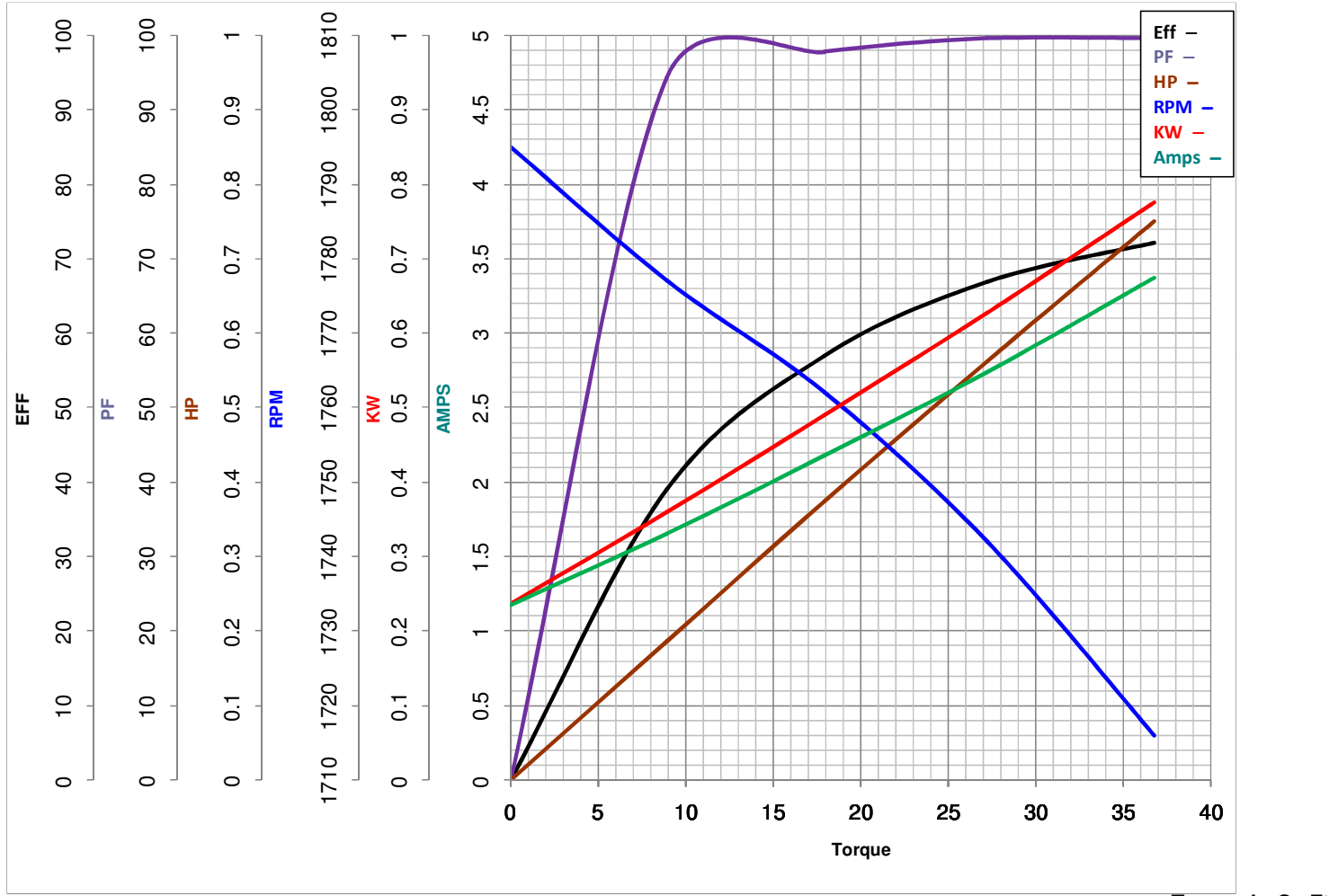


LEESON ELECTRIC CORPORATION
TYPICAL PERFORMANCE CURVE for AC MOTOR

Model No 111266.00

Catalog No 111266.00

Curve at 230 Volts HP 0.75 PHASE 1
60 HZ
0.75 HP VOLTS 115/230
HZ 60 RPM 1625



FL TORQUE	<u>36.77</u> Oz.Ft	FL AMPS	<u>7/3.5</u>
BD TORQUE	<u>74.6</u> Oz.Ft	PU TORQUE	<u>17.6</u> Oz.Ft
LR TORQUE	<u>18.27</u> Oz.Ft	LR AMPS	<u>14.22</u>
WINDING	P634129-3	Date	5/2/2018