

# PRODUCT INFORMATION PACKET



Model No: C6T11FK1G

Catalog No: 110914.00

1/2HP..1140RPM.56.TEFC.208-230/460V.3PH.60HZ.CONT.NOT.40C.1.15SF.RIGID C.GENERAL  
PURPOSE.C6T11FK1G

Totally Enclosed Fan Cooled (TEFC)



Regal and Leeson are trademarks of Regal Beloit Corporation or one of its affiliated companies.

©2018 Regal Beloit Corporation, All Rights Reserved. MC017097E





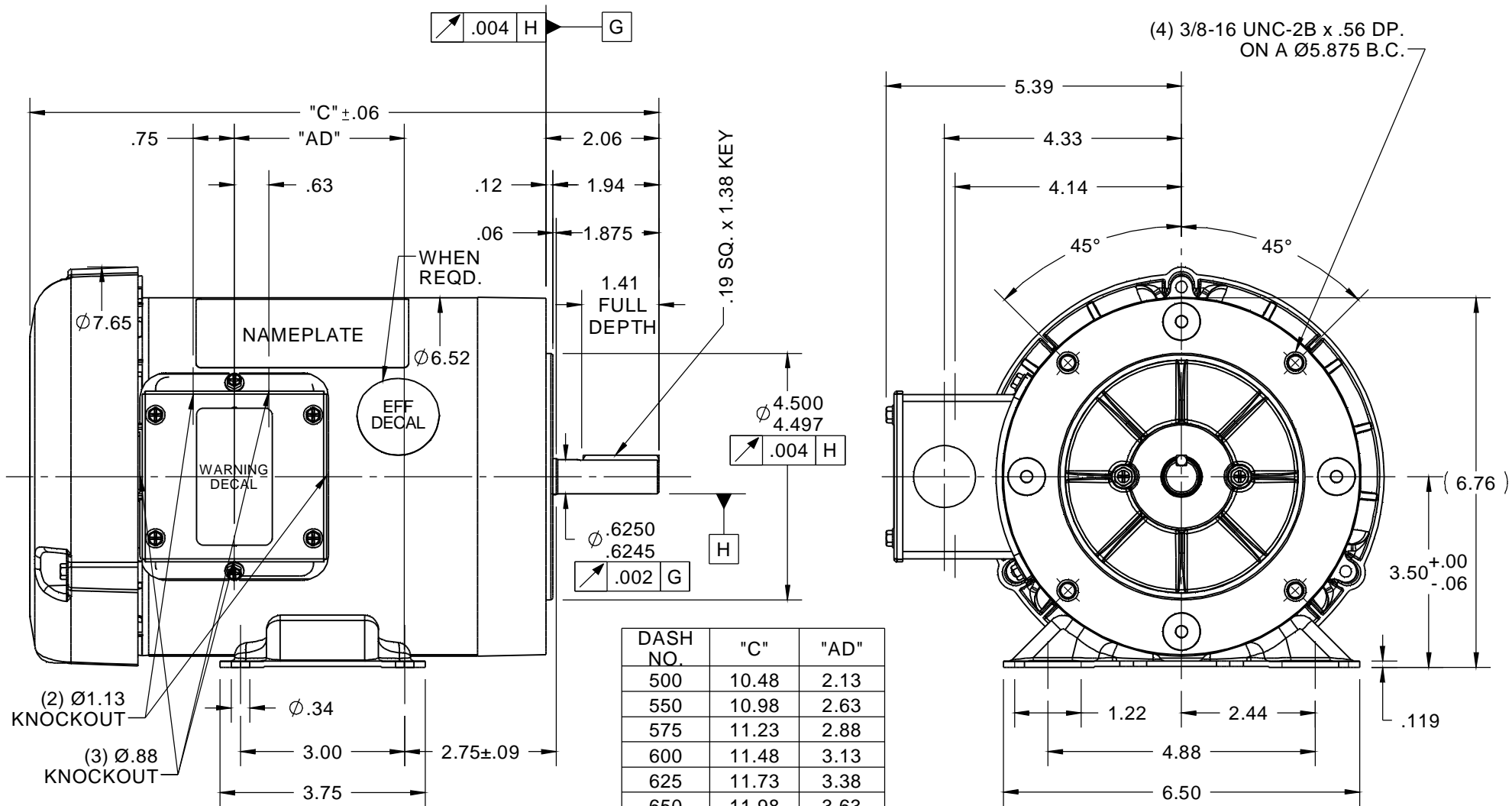
### Nameplate Specifications

Output HP	<b>0.50 Hp</b>	Output KW	<b>0.37 kW</b>
Frequency	<b>60 Hz</b>	Voltage	<b>208-230/460 V</b>
Current	<b>2.4/1.2 A</b>	Speed	<b>1140 rpm</b>
Service Factor	<b>1.15</b>	Phase	<b>3</b>
Efficiency	<b>70 %</b>	Duty	<b>Continuous</b>
Insulation Class	<b>B</b>	Design Code	<b>B</b>
KVA Code	<b>K</b>	Frame	<b>56C</b>
Enclosure	<b>Totally Enclosed Fan Cooled</b>	Overload Protector	<b>No</b>
Ambient Temperature	<b>40 °C</b>	Drive End Bearing Size	<b>6203</b>
Opp Drive End Bearing Size	<b>6203</b>	UL	<b>Recognized</b>
CSA	<b>Y</b>	CE	<b>N</b>
IP Code	<b>54</b>		

### Technical Specifications

Electrical Type	<b>Squirrel Cage Induction Run</b>	Starting Method	<b>Across The Line</b>
Poles	<b>6</b>	Rotation	<b>Reversible</b>
Mounting	<b>Rigid base</b>	Motor Orientation	<b>HORIZONTAL</b>
Drive End Bearing	<b>BALL</b>	Opp Drive End Bearing	<b>BALL</b>
Frame Material	<b>Rolled Steel</b>	Shaft Type	<b>NEMA 56</b>
Overall Length	<b>10.98 in</b>	Frame Length	<b>5.50 in</b>
Shaft Diameter	<b>0.625 in</b>	Shaft Extension	<b>1.88 in</b>
Assembly/Box Mounting	<b>F1 ONLY</b>		
Outline Drawing	<b>028784-550</b>	Connection Diagram	<b>005010.01</b>

This is an uncontrolled document once printed or downloaded and is subject to change without notice. Date Created: 10/15/2018



(4) 3/8-16 UNC-2B x .56 DP.  
ON A Ø5.875 B.C.

NOTE:  
1) GASKETS THROUGHOUT

ORACLE REV
004

DRAWING REVISION F  
REVISION BY SAJID  
DATE 06/01/2015  
ECO ECO-0077371  
APPROVED BY JD  
DATE 06/01/2015  
ECO DESCRIPTION  
ADDED WHEN REQD. NOTE ON EFF.DECAL & DASH# 750  
COPYRIGHT REGAL BELOIT AMERICA, INC. ALL RIGHTS RESERVED.  
PROPRIETARY AND CONFIDENTIAL INFORMATION - THIS DOCUMENT IS THE PROPERTY OF REGAL BELOIT AMERICA, INC. ('OWNER') AND CONTAINS OWNER'S PROPRIETARY INFORMATION. ANY PERSON, CORPORATION OR OTHER FIRM RECEIVING IT IS DEEMED, BY RECEIVING IT, TO AGREE THAT IT, AND/OR ANY PART OF IT, SHALL NOT BE DISCLOSED TO ANY PERSON, CORPORATION OR OTHER ENTITY, DUPLICATED, AND/OR USED, EXCEPT AS EXPRESSLY APPROVED IN WRITING IN ADVANCE BY OWNER. THIS DOCUMENT SHALL BE RETURNED TO OWNER UPON REQUEST. IT MAY BE SUBJECT TO CERTAIN RESTRICTIONS UNDER APPLICABLE EXPORT CONTROL LAWS AND REGULATIONS.

TOLERANCES UNLESS OTHERWISE SPECIFIED:  
DEC. INCH. mm ANGLE  
.X ±0.1 [±2.5] ±0.5°  
.XX ±0.03 [±0.76]  
.XXX ±0.005 [±0.127]  
.XXXX ±0.0005 [±0.0127]  
REMOVE BURRS & BREAK SHARP EDGES: .003/.015 [.076/.381] X 45°  
CORNER FILLETS: R.02 [.51]  
MACHINED SURFACES: 125/3.2 INCH/mm  
mm SHOWN IN [BRACKETS]

DRAWN BY KMM 08/14/07  
DATE  
APPROVED BY  
DATE  
REFERENCE 028784  
THIRD ANGLE PROJECTION

**REGAL**™ Regal Beloit America, Inc.

DESCRIPTION  
**OUTLINE**  
TEFC - RIGID "C" FACE

MATERIAL	PROCESS/FINISH
DRAWING NUMBER	GENERAL PURPOSE
SIZE A	DRAWING NUMBER 028784
SHEET 1 OF 1	

005010-01

VIEW FROM OUTSIDE OF MOTOR AT SWITCH END.



VOLTAGE	L1	L2	L3	JOIN & INSULATE
HIGH	T1	T2	T3	(T4,T7) (T5,T8) (T6,T9)
LOW	T1,T7	T2,T8	T3,T9	T4,T5,T6

				TOLERANCES UNLESS SPECIFIED		<b>Regal Beloit America, Inc.</b>		DRAWN RDW 04/12/02			
				DEC.	INCHES			CHK			
				.X	±.1			APPD			
				.XX	±.01			SCALE 1=1			
				.XXX	±.005	TITLE		REF FIG.2-51			
A	UPDATED TO REGAL LOGO	SAJ 06/26/15	AJY	.XXXX	±.0005	MAT'L.		FMF			
NO.	REVISION	BY & DATE	CHK	ANG	±1/2"	FINISH		PREV			
THIS DRAWING IN DESIGN AND DETAIL IS OUR PROPERTY AND MUST NOT BE USED EXCEPT IN CONNECTION WITH OUR WORK ALL RIGHTS OF DESIGN AND INVENTION ARE RESERVED THIS IS AN ELECTRONICALLY GENERATED DOCUMENT - DO NOT SCALE THIS PRINT				RFP	04/12/02	CAD FILE		00501001	SIZE	DRAWING NO.	REV.
				DIST		BRF-NLV		A	005010-01	A	



P.O. BOX 8003  
WAUSAU, WI 54401-8003  
PH. 715-675-3311

DATA VOLTS: 460

CERTIFICATION DATA SHEET

CONN. DIAGRAM: 005010.01  
OUTLINE: 028784-550  
WINDING: T63641

FR 3

CAT #: 110914.00

TYPICAL MOTOR PERFORMANCE DATA

HP	KW	SYNC RPM	FL RPM	FRAME	ENCLOSURE	TYPE	KVA CODE	DESIGN	
0.5	0.37	1200	1160	56C	TEFC	NA	K	B	
PH	HZ	VOLTS	AMPS	START TYPE	DUTY	INSL	S.F.	AMB	ELEV.
3	60	208-230/460	2.35/1.2	ACROSS THE LINE	CONT	B	1.15	40	3300

F.L. EFF	F.L. PF	3/4 LD EFF	3/4 LD PF	60.0	47.5	1/2 LD EFF	1/2 LD PF	60.8	37.7	GTD EFF	0.0	ELECT. TYPE
70.0	56.1	3/4 LD EFF	3/4 LD PF	60.0	47.5	1/2 LD EFF	1/2 LD PF	60.8	37.7	0.0		SO CAGE IND RUN

F.L. TORQUE	LR AMPS @ 460 V	5.0	1.272	LB-FT	222%	1.813	LB-FT	317%	82	F.L. RISE (°C)
572	572	5.0	1.272	LB-FT	222%	1.813	LB-FT	317%	82	

PRESSURE @ 3	POWER	ROTOR WK²	MAX. LOAD WK²	SAFE STALL TIME	STARTS/HOUR	MOTOR WGT
60	69	0.07	0.1	10	0	0
DBA	DBA	LB-FT²	LB-FT²	SEC.		LB.

\*\*\* SUPPLEMENTAL INFORMATION \*\*\*

DE BRACKET TYPE	ODE BRACKET TYPE	MOUNT TYPE	MOTOR ORIENTATION	SEVERE DUTY	HAZARDOUS LOCATION	DRIIP COVER	SCREENS	PAINT
C-FACE	STANDARD	RIGID	HORIZONTAL	NO	NONE	NO	NONE	JE-LEESON/ENAM

BEARINGS	GREASE	SHAFT TYPE	SPECIAL DE	SPECIAL ODE	SHAFT	MATERIAL	FRAME MATERIAL
BALL BALL	POLYREX EM	STANDARD 56	NONE	NONE	1144	STRESSPROOF (C-223)	ROLLED STEEL
6203	6203						

THERMOSTATS	PROTECTORS	WDG RTD's	BRG RTD's	THERMISTORS	CONTROL	SPACE HEATERS
NONE	NOT	NONE	NONE	NONE	FALSE	NA

R1 (ohms/ph)	R2 (ohms/ph)	X1 (ohms/ph)	X2 (ohms/ph)	Xm (ohms/ph)	VIBRATION (in/sec)	FLOAT
0	0	0	0	0	0.080	ODE

* N O T E S *		INVERTER TORQUE: NONE	
		INV. HP SPEED RANGE: NONE	
		ENCODER: NONE	
		BRAKE: NONE	
		FT-LB: NA	
		VOLTAGE: NONE	
		NONE PPR	

DATE: 1/22/2018	UL: Y-(LEESON UL REC)	HZ:
-----------------	-----------------------	-----

Date: 1/22/2018

11091400



Data @ 460 V

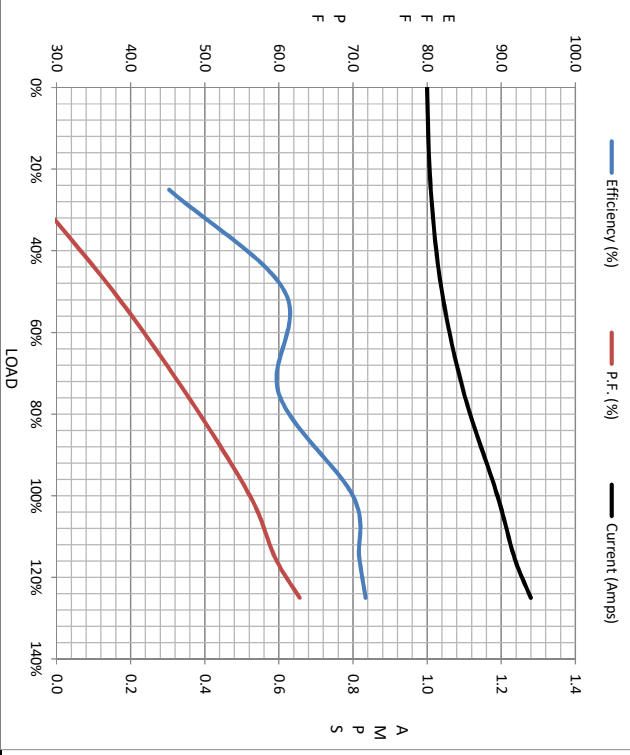
Motor Load Data						LR	
Load	0%	25%	50%	75%	100%	115%	125%
Current (Amps)	1.00	1.01	1.04	1.10	1.19	1.24	1.28
Torque (ft-lb)	0.00	143	286	382	572	10,242	716
RPM	1200	1192	1182	1171	1160	1155	1148
Efficiency (%)		45.2	60.8	60.0	70.0	70.9	71.7
P.F. (%)	13.2	26.4	37.7	47.5	56.1	59.5	62.8

Motor Speed Data

	LR	Pull-Up	BD	Rated	Idle
Speed (RPM)	0	600	1104	1160	1200
Current (Amps)	5.0	4.6	3.0	1.19	1.00
Torque (ft-lb)	1,272	1,209	1,813	572	0.00

Information Block

HP	0.5
Sync. RPM	1200
Frame	140
Enclosure	TEFC
Construction	NA
Voltage	208-230/460 V
Frequency	60 Hz
Design	B
LR Code letter	K
Service Factor	1.0
Temp Rise @ FL	82 °C
Duty	CONT
Ambient	40 °C
Elevation	1,000 feet
Rotor/Shaft wk <sup>2</sup>	0.07 LB-Ft <sup>2</sup>
Ref Wdg	T63641 FR
Sound Pressure @ 1M	60 dBA
VFD Rating	NONE
Outline Dwg	028784-550
Conn. Diag	005010.01
Additional Specifications:	
0	
EQUIV CKT (OHMS / PHASE)	
R1	R2
0.0000	0.0000
X1	X2
0.0000	0.0000
Xm	
0.0000	



Speed -Torque Curve

