

# PRODUCT INFORMATION PACKET



Model No: C6T34FB15E

Catalog No: 110715.00

1HP..3450RPM.56.TEFC./575V.3PH.60HZ.CONT.NOT.40C.1.15SF.RIGID.575 VOLT.C6T34FB15E  
575 Volts



Regal and Leeson are trademarks of Regal Beloit Corporation or one of its affiliated companies.

©2018 Regal Beloit Corporation, All Rights Reserved. MC017097E





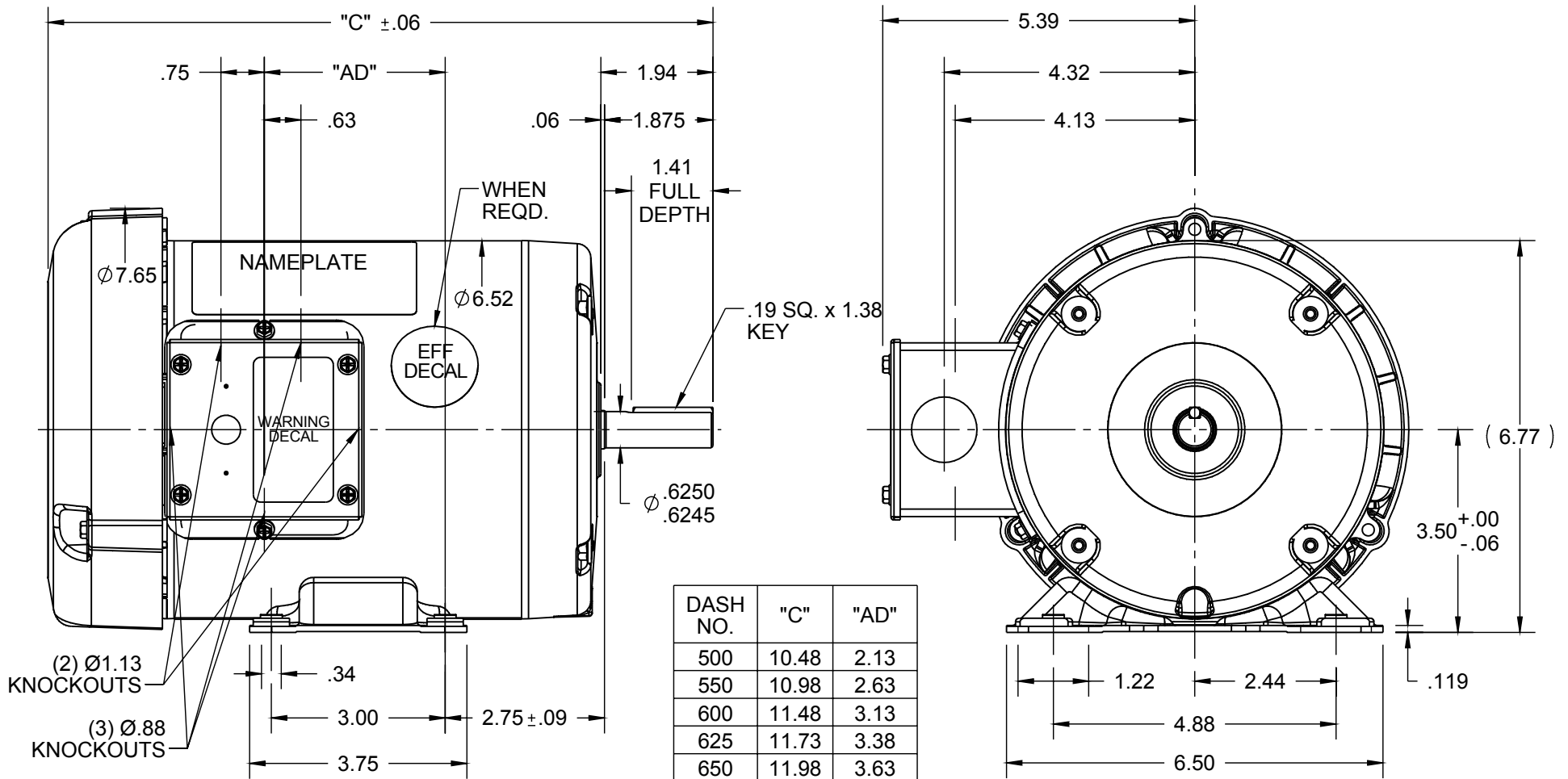
### Nameplate Specifications

Output HP	1 Hp	Output KW	0.75 kW
Frequency	60 Hz	Voltage	575 V
Current	1.3 A	Speed	3450 rpm
Service Factor	1.15	Phase	3
Efficiency	77 %	Duty	Continuous
Insulation Class	B	Design Code	B
KVA Code	J	Frame	56
Enclosure	Totally Enclosed Fan Cooled	Overload Protector	No
Ambient Temperature	40 °C	Drive End Bearing Size	6203
Opp Drive End Bearing Size	6203	UL	Recognized
CSA	Y	CE	N
IP Code	54		

### Technical Specifications

Electrical Type	Squirrel Cage Induction Run	Starting Method	Across The Line
Poles	2	Rotation	Reversible
Mounting	Rigid base	Motor Orientation	HORIZONTAL
Drive End Bearing	BALL	Opp Drive End Bearing	BALL
Frame Material	Rolled Steel	Shaft Type	NEMA 56
Overall Length	10.48 in	Frame Length	5.00 in
Shaft Diameter	0.625 in	Shaft Extension	1.88 in
Assembly/Box Mounting	F1 ONLY		
Outline Drawing	028781-500	Connection Diagram	005102.01

This is an uncontrolled document once printed or downloaded and is subject to change without notice. Date Created: 10/15/2018



DASH NO.	"C"	"AD"
500	10.48	2.13
550	10.98	2.63
600	11.48	3.13
625	11.73	3.38
650	11.98	3.63
675	12.23	3.88
700	12.48	4.13
750	12.98	4.63

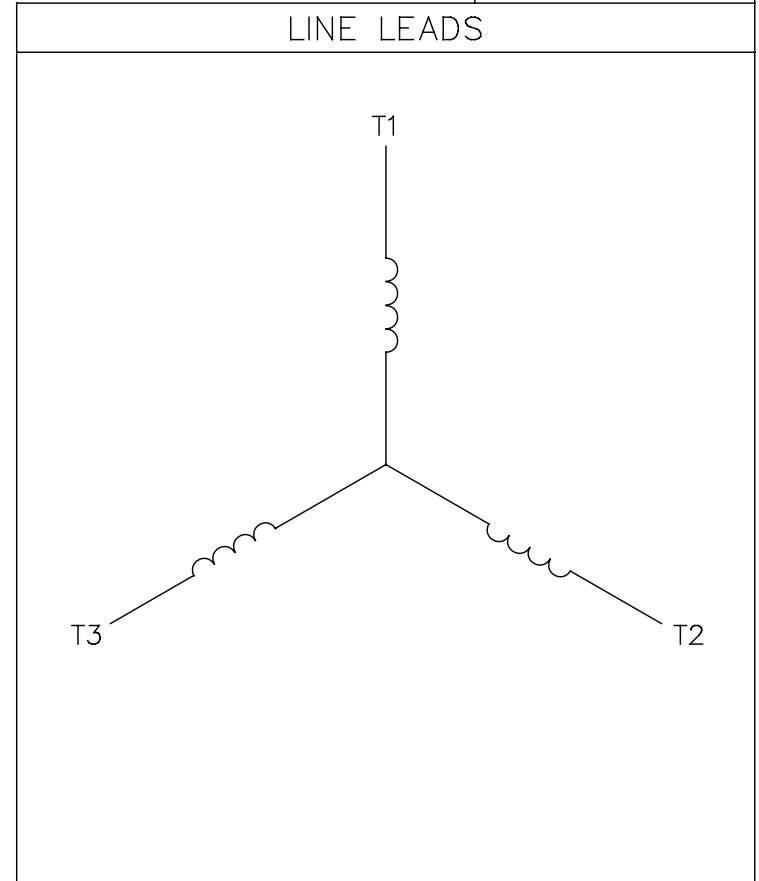
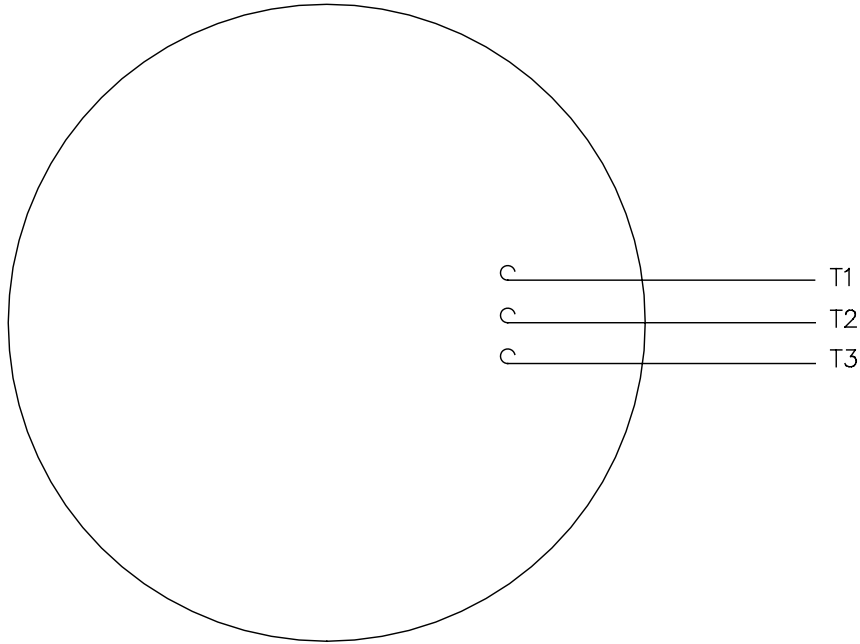
**NOTES:**  
1) GASKETS THROUGHOUT

ORACLE  
REV  
003

DRAWING REVISION <b>E</b>	REVISION BY <b>LK</b>	DATE <b>11/24/2015</b>	TOLERANCES UNLESS OTHERWISE SPECIFIED: <b>DEC. INCH mm ANGLE</b>	DRAWN BY <b>KMM</b>	<b>Regal Beloit America, Inc.</b>
ECO <b>ECO-0089388</b>	APPROVED BY <b>GRB</b>	DATE <b>11/24/2015</b>	<b>.X ±0.1 [±2.5] ANGLE ±0.5°</b> <b>.XX ±0.03 [±0.76]</b> <b>.XXX ±0.005 [±0.127]</b> <b>.XXXX ±0.0005 [±0.0127]</b>	DATE <b>08/10/07</b>	
ECO DESCRIPTION <b>ADDED DASH #675 PER NMR-0089703</b>			<b>REMOVE BURRS &amp; BREAK SHARP EDGES: .003/.015 [.076/.381] X 45°</b> <b>CORNER FILLETS: R.02 [.51]</b> <b>MACHINED SURFACES: 125/3.2 INCH/mm</b> <b>mm SHOWN IN [BRACKETS]</b>	APPROVED BY	DESCRIPTION <b>OUTLINE</b> <b>56 FRAME TEFC - RIGID</b>
COPYRIGHT REGAL BELOIT AMERICA, INC. ALL RIGHTS RESERVED. PROPRIETARY AND CONFIDENTIAL INFORMATION - THIS DOCUMENT IS THE PROPERTY OF REGAL BELOIT AMERICA, INC. ("OWNER") AND CONTAINS OWNER'S PROPRIETARY INFORMATION. ANY PERSON, CORPORATION OR OTHER FIRM RECEIVING IT IS DEEMED, BY RECEIVING IT, TO AGREE THAT IT, AND/OR ANY PART OF IT, SHALL NOT BE DISCLOSED TO ANY PERSON, CORPORATION OR OTHER ENTITY, DUPLICATED, AND/OR USED, EXCEPT AS EXPRESSLY APPROVED IN WRITING IN ADVANCE BY OWNER. THIS DOCUMENT SHALL BE RETURNED TO OWNER UPON REQUEST. IT MAY BE SUBJECT TO CERTAIN RESTRICTIONS UNDER APPLICABLE EXPORT CONTROL LAWS AND REGULATIONS.				DATE	MATERIAL
			REFERENCE <b>600053</b>	THIRD ANGLE PROJECTION	SIZE <b>A</b>

005102-01

VIEW FROM OUTSIDE OF MOTOR AT SWITCH END.



CONNECT LEADS AS FOLLOWS  
FOR FOUR CONDUCTOR CORD ( )

CORD	L1 (RED)	L2 (WHITE)	L3 (BLACK)	(GREEN)
MOTOR	T1	T2	T3	GROUND

				TOLERANCES UNLESS SPECIFIED		<b>REGAL™</b> Regal Beloit America, Inc.		DRAWN JRW 9/11/75		
				DEC.	INCHES			CHK		
				.X	±.1			APPD JCW 9/11/75		
08	UPDATED TO REGAL LOGO	SAJ 06/26/15	AJY	.XX	±.01	TITLE EXTERNAL WIRING DIAGRAM TYPE "T" W/O PROTECTOR		SCALE 1=1		
07	UPDATED TO CURRENT STANDARDS	DBT 5/30/97		.XXX	±.005			REF W-T6343-6		
06	REDRAWN ON CAD; ADDED DECAL NUMBER	SAW 1/24/95		.XXXX	±.0005			MAT'L. DECAL - 004169		FMF 6T17FB7
NO.	REVISION	BY & DATE	CHK	ANG	±1/2"	FINISH		PREV		
THIS DRAWING IN DESIGN AND DETAIL IS OUR PROPERTY AND MUST NOT BE USED EXCEPT IN CONNECTION WITH OUR WORK ALL RIGHTS OF DESIGN AND INVENTION ARE RESERVED THIS IS AN ELECTRONICALLY GENERATED DOCUMENT - DO NOT SCALE THIS PRINT				RFP	5/1/02	CAD FILE 00510201		SIZE	DRAWING NO.	REV.
				DIST BRF-NLV				A	005102-01	08



P.O. BOX 8003  
WAUSAU, WI 54401-8003  
PH. 715-675-3311

DATA VOLTS: 460

CERTIFICATION DATA SHEET

CONN. DIAGRAM: 005102.01  
OUTLINE: 028781-500  
WINDING: T632161

CAT #: 110715.00

FR 4

TYPICAL MOTOR PERFORMANCE DATA

HP	KW	SYNC RPM	FL RPM	FRAME	ENCLOSURE	TYPE	KVA CODE	DESIGN	
1	0.75	3600	3460	56	TEFC	TFR	J	B	
PH	HZ	VOLTS	AMPS	START TYPE	DUTY	INSL	S.F.	AMB	ELEV.
3	60	575	1.3	ACROSS THE LINE	CONT	B	1.15	40	3300
F.L. EFF	77.1	3/4 LD EFF	75.2	1/2 LD EFF	69.5	GTD EFF	ELECT. TYPE		
F.L. PF	80.0	3/4 LD PF	74.3	1/2 LD PF	62.6	0.0	SQ CAGE IND RUN		
F.L. TORQUE	LR AMPS @ 460 V	L.R. TORQUE	B.D. TORQUE	F.L. RISE (°C)					
1.55 LB-FT	8.0	3.6 LB-FT	232%	5.0 LB-FT	323%	53			
PRESSURE @3	POWER	ROTOR WK²	MAX. LOAD WK²	SAFE STALL TIME	STARTS/HOUR	MOTOR WGT			
0 DBA	9 DBA	0.03 LB-FT²	0 LB-FT²	0 SEC.	0	0 LB.			

\*\*\* SUPPLEMENTAL INFORMATION \*\*\*

DE BRACKET TYPE	ODE BRACKET TYPE	MOUNT TYPE	MOTOR ORIENTATION	SEVERE DUTY	HAZARDOUS LOCATION	DRIP COVER	SCREENS	PAINT
STANDARD	STANDARD	RIGID	HORIZONTAL	NO	NONE	NO	NONE	JE - LEESON (ENAM)
BEARINGS	GREASE	SHAFT TYPE	SPECIAL DE	SPECIAL ODE	SHAFT	MATERIAL	FRAME MATERIAL	
DE ODE	POLYREX EM	STANDARD 56	NONE	NONE	1144 STRESSPROOF (C-223)	ROLLED STEEL		
6203	6203							
THERMOSTATS	PROTECTORS	WDG RTD's	BRG RTD's	THERMISTORS	CONTROL	SPACE HEATERS		
NONE	NOT	NONE	NONE	NONE	FALSE	NA		
R1 (ohms/ph)	R2 (ohms/ph)	X1 (ohms/ph)	X2 (ohms/ph)	Xm (ohms/ph)	VIBRATION (in/sec)	FLOAT ODE		
0	0	0	0	0	0.080			

* NOT TESTED		INVERTER TORQUE: NONE	
		INV. HP SPEED RANGE: NONE	
		ENCODER: NONE	
		BRAKE: NONE	
		FT-LB: NONE	
		VOLTAGE: NONE	
		HZ: NONE	
		UL: Y-(LEESON UL REC)	

DATE:	1/23/2018
-------	-----------



Motor Load Data						
Load	0%	25%	50%	75%	100%	LR
Current (Amps)	0.69	0.74	0.86	1.01	1.24	8.0
Torque (ft-lb)	0.00	0.37	0.74	1.13	1.55	3.6
HPM	3600	3563	3530	3495	3460	0
Efficiency (%)		57.3	69.5	75.2	77.1	
P.F. (%)	23.1	44.1	62.6	74.3	80.0	0.0

Motor Speed Data					
	LR	Pull-Up	BD	Rated	Idle
Speed (RPM)	0	200	2600	3460	3600
Current (Amps)	8.0	7.4	4.8	1.24	0.69
Torque (ft-lb)	3.6	3.5	5.0	1.55	0.00

Information Block					
HP	1.0				
Sync. RPM	3600				
Frame	140				
Enclosure	TEFC				
Construction	TFR				
Voltage	575			V	
Frequency	60			Hz	
Design	B				
LR Code letter	J				
Service Factor	1.15				
Temp Rise @ FL	53			°C	
Duty	CONT				
Ambient	40			°C	
Elevation	1,000			feet	
Rotor/Shaft wk <sup>2</sup>	0.03			lb-Ft <sup>2</sup>	
Ref Wdg	T632161 FR				
Sound Pressure @ 1M	0			dB(A)	
VFD Rating	NONE				
Outline Dwg	028781-500				
Conn. Diag	005102.01				
Additional Specifications:	EQUIV CKT (OHMS / PHASE)				
	R1	R2	X1	X2	Xm
	0.0000	0.0000	0.0000	0.0000	0.0000

