

PRODUCT INFORMATION PACKET



Model No: C6C34FC8G

Catalog No: 110413.00

3/4HP..3450RPM.56.TEFC.115/208-230V.1PH.60HZ.CONT.NOT.40C.1.15SF.ROUND.GENERAL
PURPOSE.C6C34FC8G

Totally Enclosed Fan Cooled (TEFC)



Regal and Leeson are trademarks of Regal Beloit Corporation or one of its affiliated companies.

©2018 Regal Beloit Corporation, All Rights Reserved. MC017097E





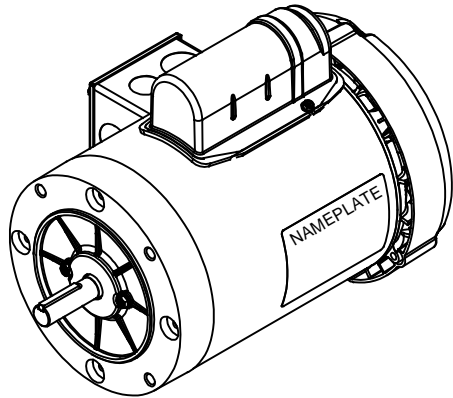
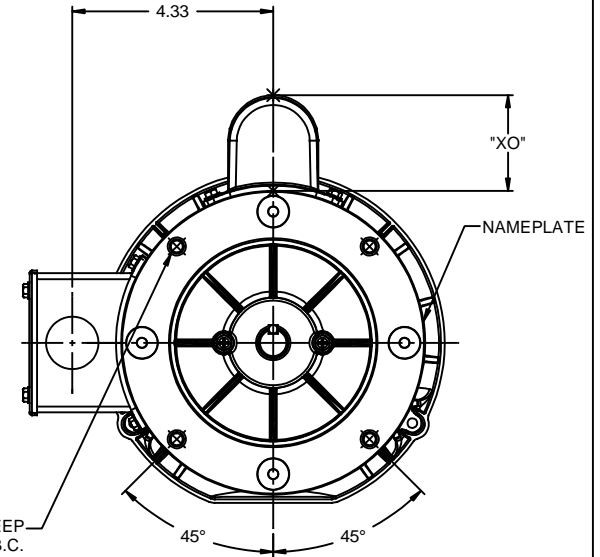
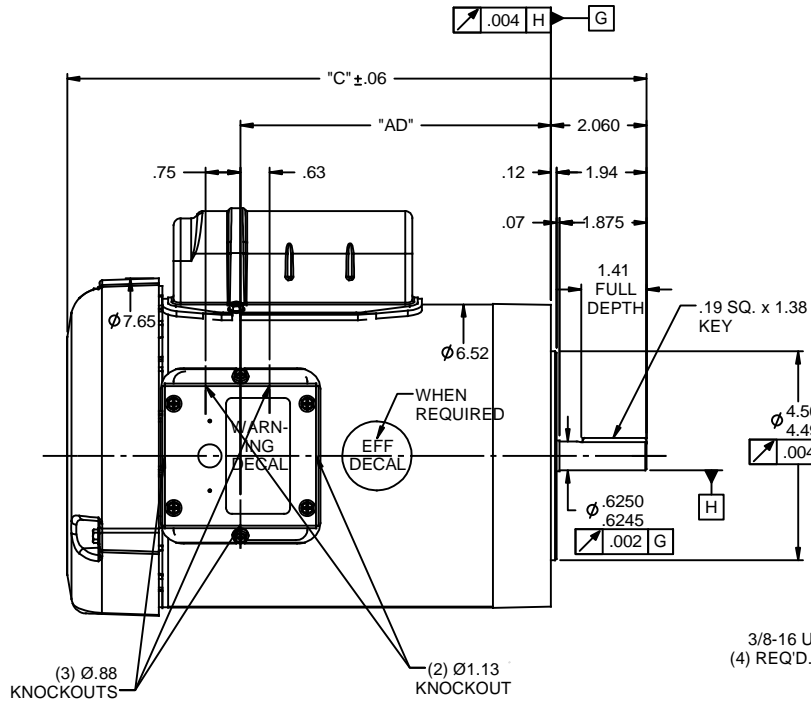
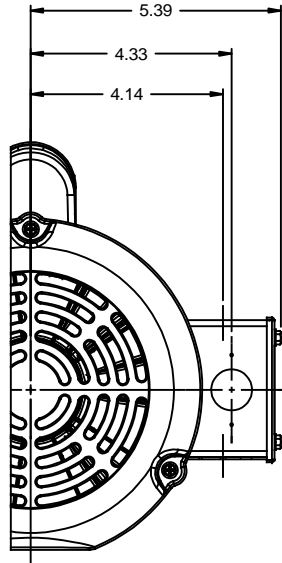
Nameplate Specifications

Output HP	0.75 Hp	Output KW	0.56 kW
Frequency	60 Hz	Voltage	115/208-230 V
Current	10.0/5.2-5.0 A	Speed	3450 rpm
Service Factor	1.15	Phase	1
Efficiency	64 %	Duty	Continuous
Insulation Class	B	Design Code	N
KVA Code	L	Frame	56C
Enclosure	Totally Enclosed Fan Cooled	Overload Protector	No
Ambient Temperature	40 °C	Drive End Bearing Size	6203
Opp Drive End Bearing Size	6203	UL	Recognized
CSA	Y	CE	N
IP Code	43		

Technical Specifications

Electrical Type	Capacitor Start Induction Run	Starting Method	Across The Line
Poles	2	Rotation	Selective Counterclockwise
Mounting	Round	Motor Orientation	HORIZONTAL
Drive End Bearing	BALL	Opp Drive End Bearing	BALL
Frame Material	Rolled Steel	Shaft Type	NEMA 56
Overall Length	11.48 in	Frame Length	6.00 in
Shaft Diameter	0.625 in	Shaft Extension	1.88 in
Assembly/Box Mounting	F1 ONLY		
Outline Drawing	028854-600B	Connection Diagram	005005.01

This is an uncontrolled document once printed or downloaded and is subject to change without notice. Date Created: 10/15/2018

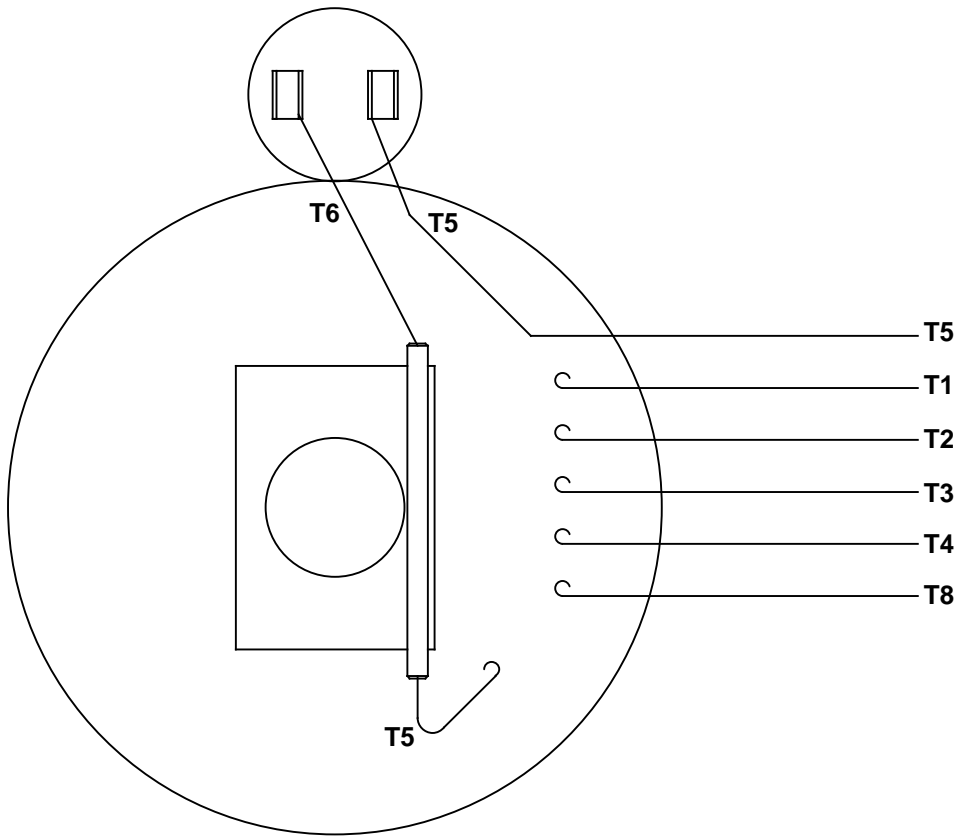


NOTES:
 1) GASKETS THROUGHOUT

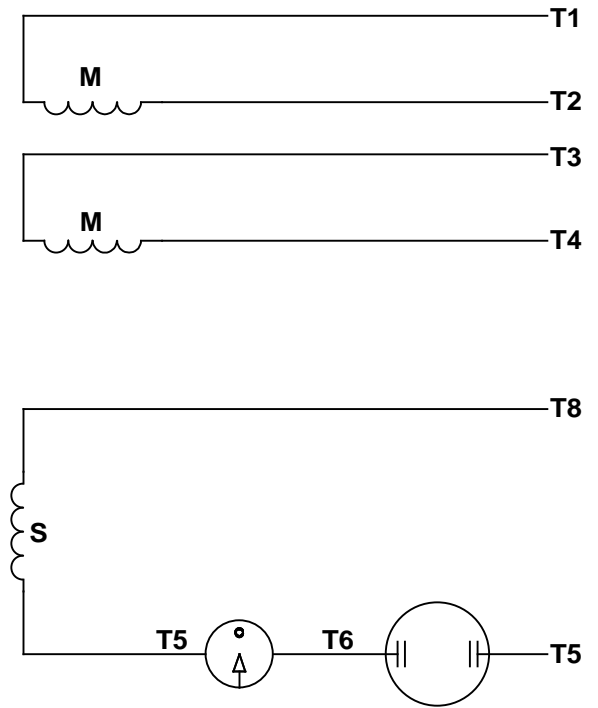
DASH NO.	"C"	"AD"	CAP DASH XO	
500	10.48	4.69	A	1.61
550	10.98	5.19	B	2.08
600	11.48	5.69	C	2.32
650	11.98	6.19		
700	12.48	6.69		
750	12.98	7.19		
800	13.48	7.69		
850	13.98	8.19		

TOLERANCES UNLESS SPECIFIED		ELECTRIC MOTORS GEARMOTORS AND DRIVES		DRAWN GRB 07/17/2008	
DEC	INCHES			CHK DJ 07/17/2008	
X	±.1			APPR	
XX	±.03	TITLE OUTLINE - 56C FRAME TEFC - "C" FACE		SCALE 3:8	
02	ADDED ISOMETRIC VIEW AS PER ISAAC #08-4017			GRB 9/5/2008	DJ
01	ADDED "XO" DIMENSION	SRS 8/28/2008	XXXX ±.0005	MATL	FMF 110419.00
NO	REVISION	BY & DATE	CHK ANG ±1/2°	FINISH	PAGE OF
	THIRD ANGLE PROJECTION		RFP 07/17/2008	PREV	SIZE DRAWING NO
			NETWORK FILE NAME 028854		B 028854
					REV 02

VIEW FROM OUTSIDE OF MOTOR AT SWITCH END.




LINE LEADS



RBC PROPRIETARY AND CONFIDENTIAL INFORMATION
 This document is the property of REGAL BELOIT CORPORATION ("RBC") including its subsidiaries and divisions and contains proprietary information of RBC. This document is loaned on the express condition that neither it nor the information contained therein shall be disclosed to others without the express written consent of RBC, and that the information shall be used by the recipient only as approved expressly by RBC. This document shall be returned to RBC upon its request. This document may be subject to certain restrictions under U.S. export control laws and regulations.

	ROTATION FACING LEAD END	L1	L2	JOIN
HIGH VOLT	C.C.W.	T1	T4, T5	T2, T3, T8
	C.W.	T1	T4, T8	T2, T3, T5
LOW VOLT	C.C.W.	T1, T3, T8	T2, T4, T5	-----
	C.W.	T1, T3, T5	T2, T4, T8	-----

--	REDRAWN IN SOLIDWORKS	VJB 02/16/11	TOLERANCES UNLESS SPECIFIED			 ELECTRIC MOTORS GEARMOTORS AND DRIVES	DRAWN ADH 08/06/73
27	UPDATED TO CURRENT STANDARDS	DBT 05/27/97	DEC	INCHES			CHK
26	ADDED PAGE 32 (114787) & PAGE 33 (114788)	KAZ 12/20/95	PG	.X	±.1	APPR JCW 03/09/79	
25	ADDED PAGE 31	KAZ 04/19/95	DL	.XX	±.01	SCALE 1:1	
24	ADDED PAGES 29 & 30	KMM 03/30/95	DL	.XXX	±.005	REF FIG 2-23 C4A	
23	ADDED PAGE 28	KMM 01/27/95		.XXXX	±.0005	FMF MGI-2.4B	
NO	REVISION	BY & DATE	CHK	ANG	±1/2°	PAGE OF	
THIRD ANGLE PROJECTION			RFP	PREV		SIZE A	DRAWING NO
			NETWORK FILE NAME 00500501			005005-01	
					REV	--	

2/17/2011 9:21:36 AM

Dealers Industrial Equipment -- Visit <https://DealersElectric.com> or call (908) 688-1966 for all of your electric motor & VFD needs!



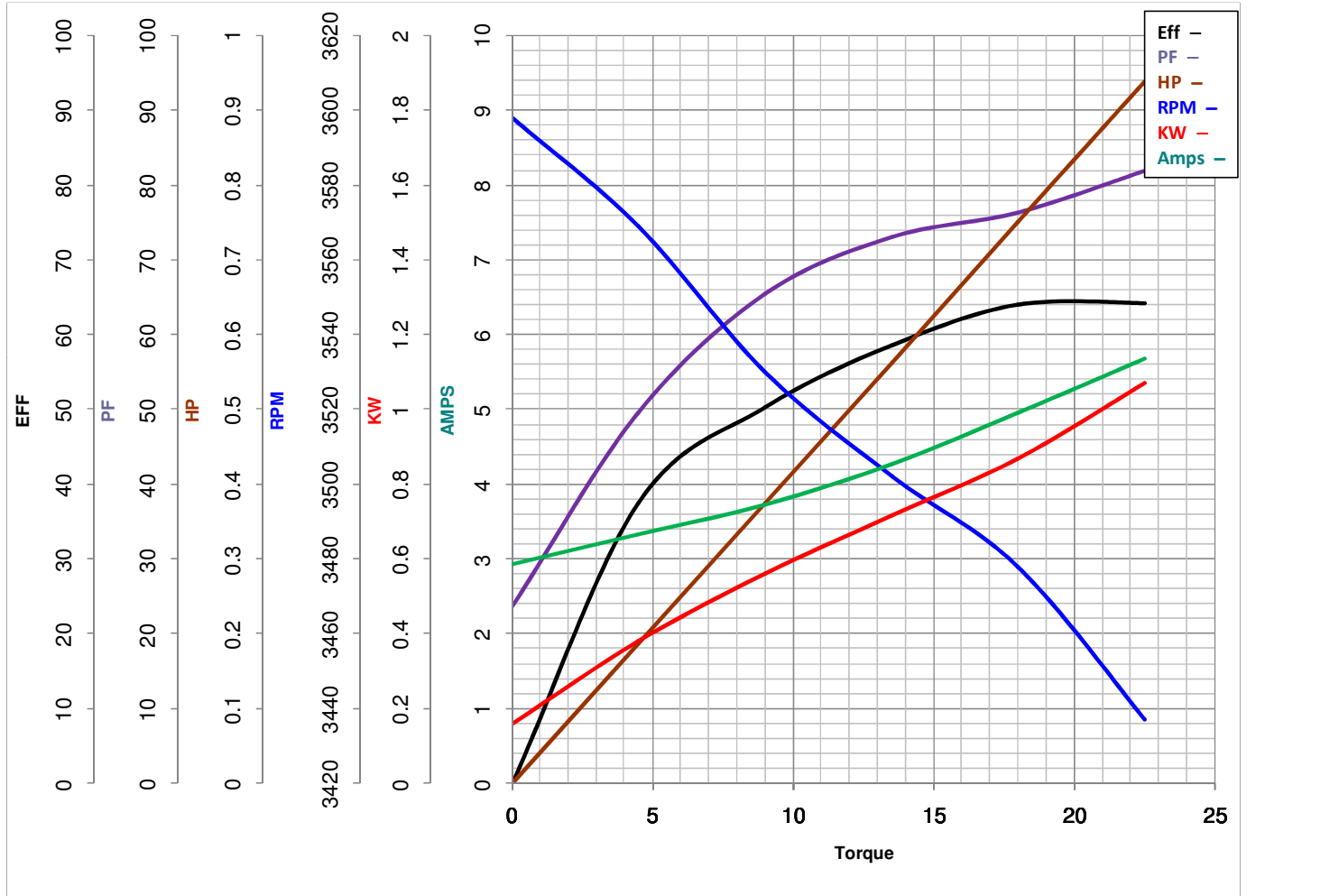
LEESON ELECTRIC CORPORATION
 TYPICAL PERFORMANCE CURVE for AC MOTOR

Model No 110413.00

Catalog No 110413.00

Curve at 230 Volts HP 0.75 PHASE 1
60 HZ
0.75 HP VOLTS 115/208-230

HZ 60 RPM 3450



FL TORQUE	<u>18</u>	Oz.Ft	FL AMPS	<u>10/5.2-5</u>	
BD TORQUE	<u>48.0</u>	Oz.Ft	PU TORQUE	<u>45.0</u>	Oz.Ft
LR TORQUE	<u>64</u>	Oz.Ft	LR AMPS	<u>30</u>	
WINDING	C632210-3		Date	4/12/2018	