

PRODUCT INFORMATION PACKET



Model No: C6T11FB2F

Catalog No: 110353.00

1/2HP..1140RPM.56.TEFC.208-230/460V.3PH.60HZ.CONT.NOT.40C.1.15SF.RIGID.GENERAL
PURPOSE.C6T11FB2F

Totally Enclosed Fan Cooled (TEFC)



Regal and Leeson are trademarks of Regal Beloit Corporation or one of its affiliated companies.

©2018 Regal Beloit Corporation, All Rights Reserved. MC017097E





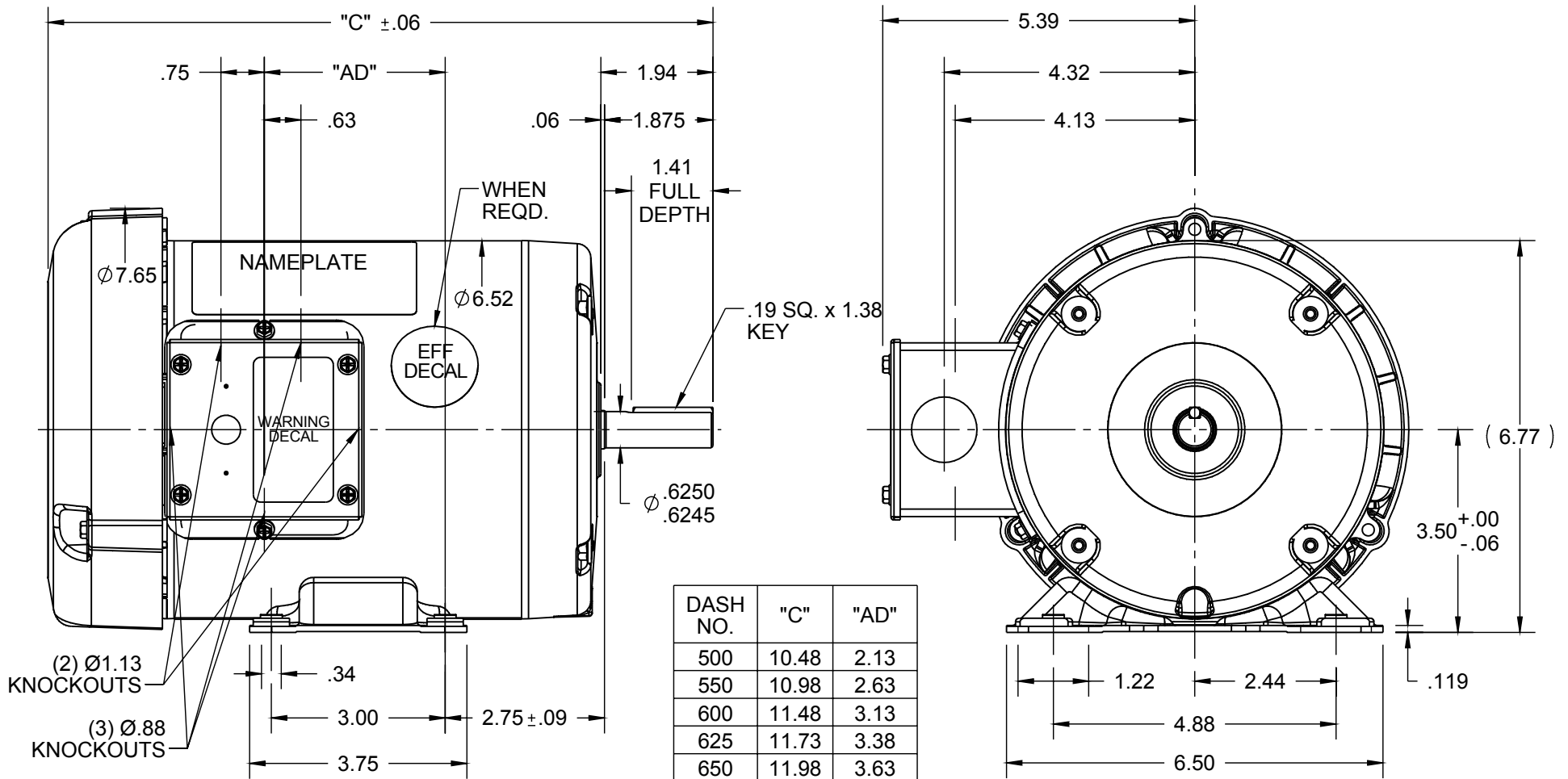
Nameplate Specifications

Output HP	0.50 Hp	Output KW	0.37 kW
Frequency	60 Hz	Voltage	208-230/460 V
Current	2.4/1.2 A	Speed	1140 rpm
Service Factor	1.15	Phase	3
Efficiency	70 %	Duty	Continuous
Insulation Class	B	Design Code	B
KVA Code	K	Frame	56
Enclosure	Totally Enclosed Fan Cooled	Overload Protector	No
Ambient Temperature	40 °C	Drive End Bearing Size	6203
Opp Drive End Bearing Size	6203	UL	Recognized
CSA	Y	CE	N
IP Code	54		

Technical Specifications

Electrical Type	Squirrel Cage Induction Run	Starting Method	Across The Line
Poles	6	Rotation	Reversible
Mounting	Rigid base	Motor Orientation	HORIZONTAL
Drive End Bearing	BALL	Opp Drive End Bearing	BALL
Frame Material	Rolled Steel	Shaft Type	NEMA 56
Overall Length	10.98 in	Frame Length	5.50 in
Shaft Diameter	0.625 in	Shaft Extension	1.88 in
Assembly/Box Mounting	F1 ONLY		
Outline Drawing	028781-550	Connection Diagram	005010.01

This is an uncontrolled document once printed or downloaded and is subject to change without notice. Date Created: 10/15/2018



DASH NO.	"C"	"AD"
500	10.48	2.13
550	10.98	2.63
600	11.48	3.13
625	11.73	3.38
650	11.98	3.63
675	12.23	3.88
700	12.48	4.13
750	12.98	4.63

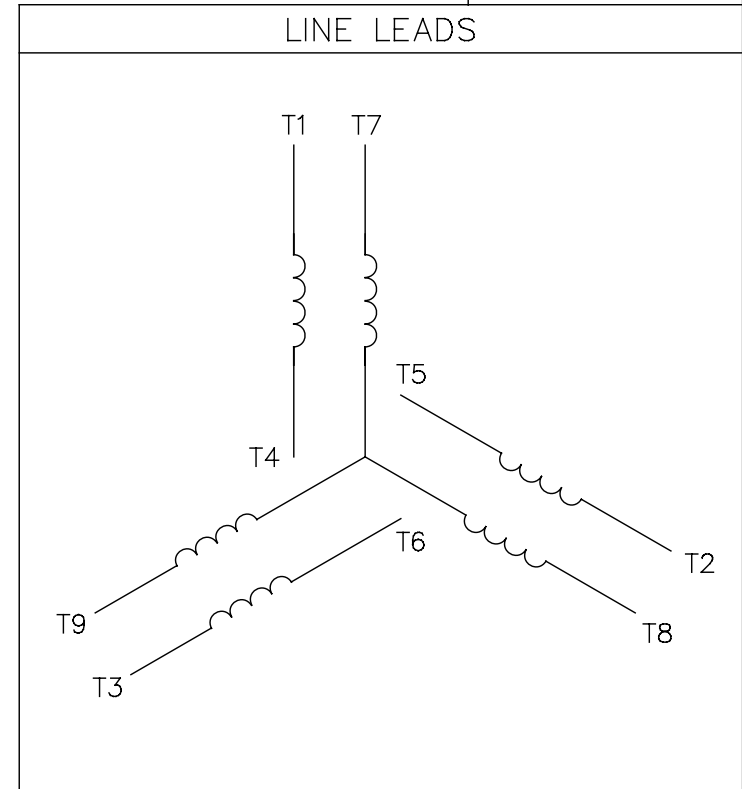
NOTES:
 1) GASKETS THROUGHOUT

ORACLE
 REV
 003

DRAWING REVISION E		REVISION BY LK		DATE 11/24/2015		DRAWN BY KMM		Regal Beloit America, Inc.			
ECO ECO-0089388		APPROVED BY GRB		DATE 11/24/2015		DATE 08/10/07					
ECO DESCRIPTION ADDED DASH #675 PER NMR-0089703						APPROVED BY		DESCRIPTION OUTLINE			
<small>COPYRIGHT REGAL BELOIT AMERICA, INC. ALL RIGHTS RESERVED. PROPRIETARY AND CONFIDENTIAL INFORMATION - THIS DOCUMENT IS THE PROPERTY OF REGAL BELOIT AMERICA, INC. ("OWNER") AND CONTAINS OWNER'S PROPRIETARY INFORMATION. ANY PERSON, CORPORATION OR OTHER FIRM RECEIVING IT IS DEEMED, BY RECEIVING IT, TO AGREE THAT IT, AND/OR ANY PART OF IT, SHALL NOT BE DISCLOSED TO ANY PERSON, CORPORATION OR OTHER ENTITY, DUPLICATED, AND/OR USED, EXCEPT AS EXPRESSLY APPROVED IN WRITING IN ADVANCE BY OWNER. THIS DOCUMENT SHALL BE RETURNED TO OWNER UPON REQUEST. IT MAY BE SUBJECT TO CERTAIN RESTRICTIONS UNDER APPLICABLE EXPORT CONTROL LAWS AND REGULATIONS.</small>						DATE		MATERIAL		PROCESS/FINISH GENERAL PURPOSE	
						REFERENCE 600053		DATE		SIZE A	
<small>TOLERANCES UNLESS OTHERWISE SPECIFIED: DEC. INCH mm ANGLE .X ±0.1 [±2.5] ±0.5° .XX ±0.03 [±0.76] .XXX ±0.005 [±0.127] .XXXX ±0.0005 [±0.0127] REMOVE BURRS & BREAK SHARP EDGES: .003/.015 [.076/.381] X 45° CORNER FILLETS: R.02 [.51] MACHINED SURFACES: 125/3.2 INCH/mm</small>						THIRD ANGLE PROJECTION					

005010-01

VIEW FROM OUTSIDE OF MOTOR AT SWITCH END.



VOLTAGE	L1	L2	L3	JOIN & INSULATE
HIGH	T1	T2	T3	(T4,T7) (T5,T8) (T6,T9)
LOW	T1,T7	T2,T8	T3,T9	T4,T5,T6

				TOLERANCES UNLESS SPECIFIED		Regal Beloit America, Inc.		DRAWN RDW 04/12/02				
				DEC.	INCHES			CHK				
				.X	±.1			APPD				
				.XX	±.01			SCALE 1=1				
				.XXX	±.005	TITLE		REF FIG.2-51				
A	UPDATED TO REGAL LOGO			SAJ	06/26/15	AJY	.XXXX	±.0005	MAT'L.	DECAL - 004014	FMF	
NO.	REVISION			BY & DATE	CHK	ANG	±1/2"	FINISH			PREV	
THIS DRAWING IN DESIGN AND DETAIL IS OUR PROPERTY AND MUST NOT BE USED EXCEPT IN CONNECTION WITH OUR WORK ALL RIGHTS OF DESIGN AND INVENTION ARE RESERVED THIS IS AN ELECTRONICALLY GENERATED DOCUMENT - DO NOT SCALE THIS PRINT				RFP	04/12/02		CAD FILE	00501001		SIZE	DRAWING NO.	
				DIST	BRF-NLV				A	005010-01		REV.



P.O. BOX 8003
WAUSAU, WI 54401-8003
PH. 715-675-3311

DATA VOLTS: 460

CERTIFICATION DATA SHEET

CONN. DIAGRAM: 005010.01
OUTLINE: 028781-550
WINDING: T63641

CAT #: 110353.00

FR 3

TYPICAL MOTOR PERFORMANCE DATA

HP	KW	SYNC RPM	FL RPM	FRAME	ENCLOSURE	TYPE	KVA CODE	DESIGN	
0.5	0.37	1200	1160	56	TEFC	NA	K	B	
PH	HZ	VOLTS	AMPS	START TYPE	DUTY	INSL	S.F.	AMB	ELEV.
3	60	208-230/460	2.4/1.2	ACROSS THE LINE	CONT	B	1.15	40	3300
F.L. EFF	70.0	3/4 LD EFF	60.0	1/2 LD EFF	60.8	GTD EFF	0.0	ELECT. TYPE SQ CAGE IND RUN	
F.L. PF	56.1	3/4 LD PF	47.5	1/2 LD PF	37.7				
F.L. TORQUE	LR AMPS @ 460 V	L.R. TORQUE	B.D. TORQUE			F.L. RISE (°C)			
572 LB-FT	5.0	1,272 LB-FT	222%	1,813 LB-FT	317%	82			
PRESSURE @3	POWER	ROTOR WK²	MAX. LOAD WK²	SAFE STALL TIME	STARTS/HOUR	MOTOR WGT			
60 DBA	69 DBA	0.07 LB-FT²	0.1 LB-FT²	10 SEC.	0	0 LB.			

*** SUPPLEMENTAL INFORMATION ***

DE BRACKET TYPE	ODE BRACKET TYPE	MOUNT TYPE	MOTOR ORIENTATION	SEVERE DUTY	HAZARDOUS LOCATION	DRIP COVER	SCREENS	PAINT
STANDARD	STANDARD	RIGID	HORIZONTAL	NO	NONE	NO	NONE	JE-LEESON/ENAM
BEARINGS	GREASE	SHAFT TYPE	SPECIAL DE	SPECIAL ODE	SHAFT MATERIAL	FRAME MATERIAL		
DE ODE	POLYREX EM	STANDARD 56	NONE	NONE	1144 STRESSPROOF (C-223)	ROLLED STEEL		
BALL BALL								
6203	6203							
THERMOSTATS	PROTECTORS	WDG RTD's	BRG RTD's	THERMISTORS	CONTROL	SPACE HEATERS		
NONE	NOT	NONE	NONE	NONE	FALSE	NA		
R1 (ohms/ph)	R2 (ohms/ph)	X1 (ohms/ph)	X2 (ohms/ph)	Xm (ohms/ph)	VIBRATION (in/sec)	FLOAT ODE		
0	0	0	0	0	0.080			

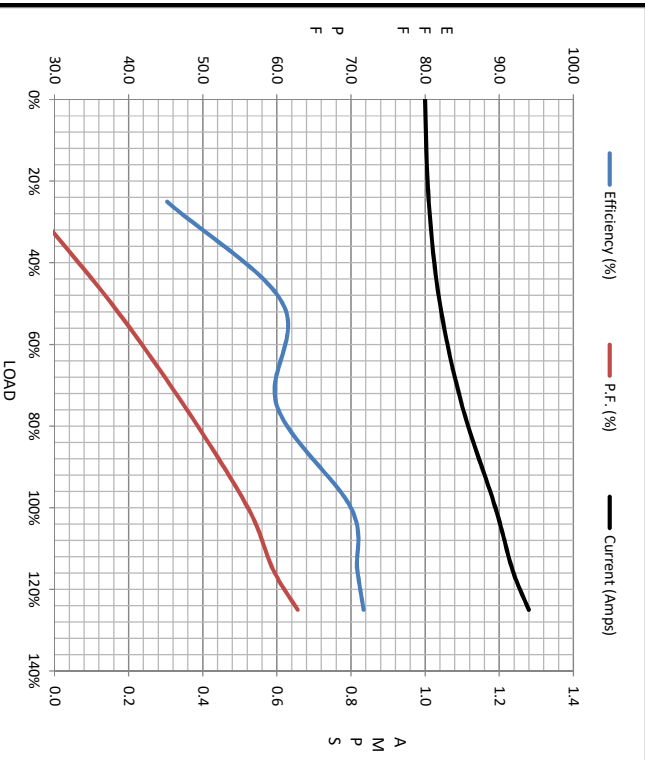
* NOT TESTED		INVERTER TORQUE: NONE	
		INV. HP SPEED RANGE: NONE	
		ENCODER: NONE	
		NONE	
		NONE	
		BRAKE: NONE	
		NONE	
		FT-LB: NA	NONE
		VOLTAGE: NONE	
		UL: Y-(LEESON UL REC)	

DATE:	1/18/2018	HZ:	
-------	-----------	-----	--



Motor Load Data									
Load	0%	25%	50%	75%	100%	115%	125%	LR	
Current (Amps)	1.00	1.01	1.04	1.10	1.19	1.24	1.28	5.0	
Torque (ft-lb)	0.00	143	286	382	572	10,242	716	1,272	
RPM	1200	1192	1182	1171	1160	1,155	1,148	0	
Efficiency (%)		45.2	60.8	60.0	70.0	70.9	71.7		
P.F. (%)	13.2	26.4	37.7	47.5	56.1	59.5	62.8	0.0	

Motor Speed Data						Information Block																												
	LR	Pull-Up	BD	Rated	Idle	HP	Sync. RPM	Frame	Enclosure	Construction	Voltage	Frequency	Design	LR Code letter	Service Factor	Temp Rise @ FL	Duty	Ambient	Elevation	Rotor/Shaft wk ²	Ref Wdg	Sound Pressure @ 1M	VFD Rating	Outline Dwg	Conn. Diag	Additional Specifications:	R1	R2	X1	X2	Xm			
Speed (RPM)	0	600	1104	1160	1200	0.5	1200	140	TEFC	NA	208-230/460	60	B	K	1.0	82	CONT	40 °C	1,000	0.07	T63641 FR	60	dB(A)	NONE	028781-550	005010.01		0.0000	0.0000	0.0000	0.0000	0.0000		
Current (Amps)	5.0	4.6	3.0	1.19	1.00																													
Torque (ft-lb)	1,272	1,209	1,813	572	0.00																													



EQUIV CKT (OHMS / PHASE)			
	R1	R2	Xm
	0.0000	0.0000	0.0000

