

PRODUCT INFORMATION PACKET



Model No: U6C34DC19G

Catalog No: 110289.00

2HP..3450RPM.56.DP.115/208-230V.1PH.60HZ.CONT.AUTOMATIC.40C.1.25SF.C FACE.JET
PUMP.U6C34DC19G

Jet Pump



Regal and Leeson are trademarks of Regal Beloit Corporation or one of its affiliated companies.

©2018 Regal Beloit Corporation, All Rights Reserved. MC017097E





Nameplate Specifications

Output HP	2 Hp	Output KW	1.5 kW
Frequency	60 Hz	Voltage	115/208-230 V
Current	21.0/10.5 A	Speed	3450 rpm
Service Factor	1.25	Phase	1
Efficiency	73 %	Duty	Continuous
Insulation Class	B	Design Code	L
KVA Code	H	Frame	56C
Enclosure	Drip Proof	Overload Protector	Automatic
Ambient Temperature	40 °C	Drive End Bearing Size	6203
Opp Drive End Bearing Size	6203	UL	No
CSA	N	CE	N
IP Code	22		

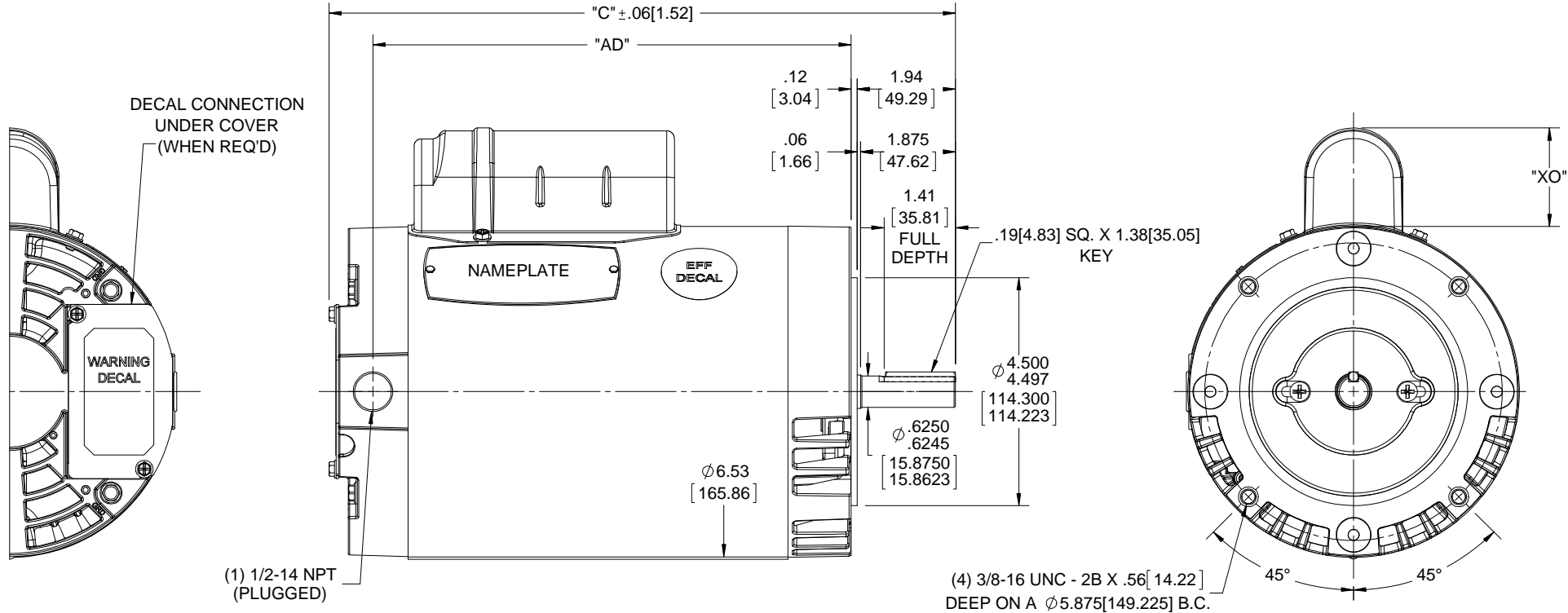
Technical Specifications

Electrical Type	Capacitor Start Induction Run	Starting Method	Across The Line
Poles	2	Rotation	Selective Counterclockwise
Mounting	Round	Motor Orientation	HORIZONTAL
Drive End Bearing	BALL	Opp Drive End Bearing	BALL
Frame Material	Rolled Steel	Shaft Type	NEMA 56
Overall Length	12.34 in	Frame Length	7.50 in
Shaft Diameter	0.625 in	Shaft Extension	1.88 in
Assembly/Box Mounting	F1 ONLY		
Outline Drawing	029082-750B	Connection Diagram	005049.01

This is an uncontrolled document once printed or downloaded and is subject to change without notice. Date Created: 10/15/2018

B

B



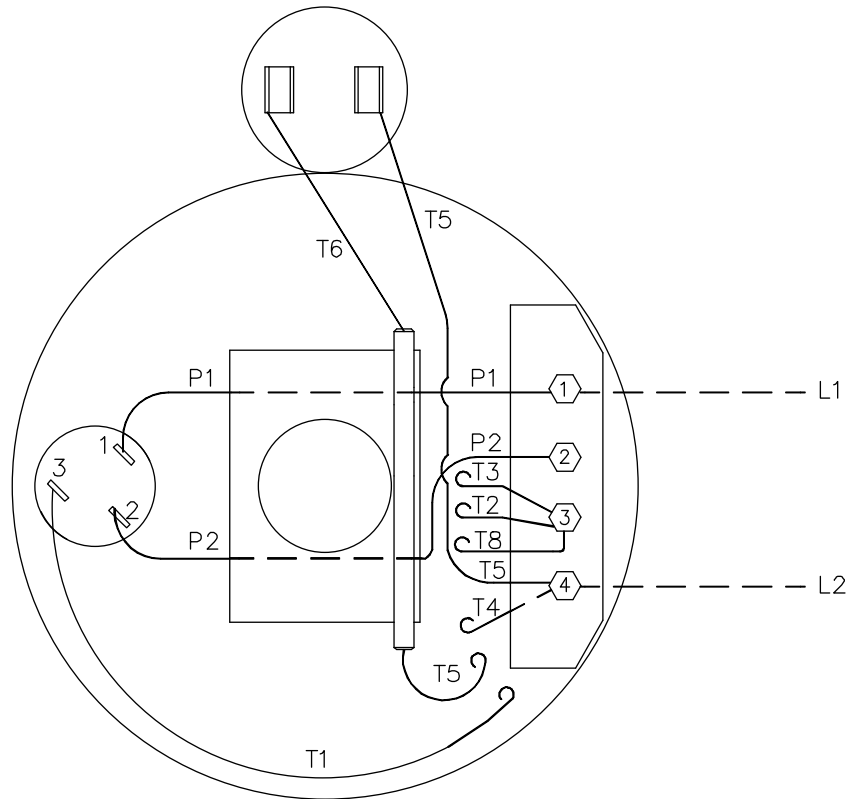
A

A

DASH NO.	"C"	"AD"	CAP. DASH	"XO"
500	9.84 [249.94]	6.94 [176.28]		
550	10.34 [262.64]	7.44 [188.98]		
600	10.84 [275.34]	7.94 [201.68]		
650	11.34 [288.04]	8.44 [214.38]	A	1.48 [37.59]
700	11.84 [300.74]	8.94 [227.08]	B	1.95 [49.53]
750	12.34 [313.44]	9.44 [239.78]	C	2.19 [55.63]

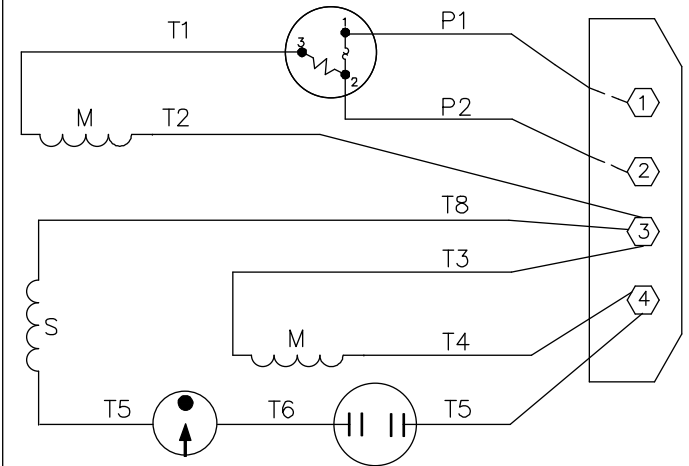
DRAWING REVISION A		REVISION BY	DATE	TOLERANCES UNLESS OTHERWISE SPECIFIED: DEC. INCH mm ANGLE .X ±0.1 [±2.5] ±7-30° .XX ±0.03 [±0.76] .XXX ±0.005 [±0.127] .XXXX ±0.0005 [±0.0127]	DRAWN BY T AHER	Regal Beloit America, Inc.
ECO ECO-0140840	APPROVED BY	DATE	DATE 01/10/2018		DESCRIPTION	
ECO DESCRIPTION				REMOVE BURRS & BREAK SHARP EDGES: .003/.015 [0.076/.381] X 45° CORNER FILLETS: R.02 [51]	APPROVED BY PK	OUTLINE
COPYRIGHT REGAL BELOIT AMERICA, INC. ALL RIGHTS RESERVED. PROPRIETARY AND CONFIDENTIAL INFORMATION - THIS DOCUMENT IS THE PROPERTY OF REGAL BELOIT AMERICA, INC. ("OWNER") AND CONTAINS OWNER'S PROPRIETARY INFORMATION. ANY PERSON, CORPORATION OR OTHER FIRM RECEIVING IT IS DEEMED, BY RECEIVING IT, TO AGREE THAT IT, AND/OR ANY PART OF IT, SHALL NOT BE DISCLOSED TO ANY PERSON, CORPORATION OR OTHER ENTITY, DUPLICATED, AND/OR USED, EXCEPT AS EXPRESSLY APPROVED IN WRITING IN ADVANCE BY OWNER. THIS DOCUMENT SHALL BE RETURNED TO OWNER UPON REQUEST. IT MAY BE SUBJECT TO CERTAIN RESTRICTIONS UNDER APPLICABLE EXPORT CONTROL LAWS AND REGULATIONS.				MACHINED SURFACES: 200 INCH mm 5.1	DATE 03/08/2018	56C FRAME, DRIP PROOF - "C" FACE
				THIRD ANGLE PROJECTION	REFERENCE 028600	PROCESS/FINISH
				SIZE B	DRAWING NUMBER 029082	SHEET 1 OF 1

VIEW FROM OUTSIDE OF MOTOR AT SWITCH END.

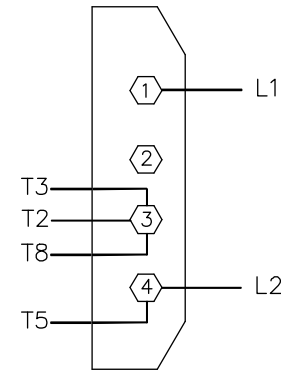


HIGH VOLTAGE
C.C.W.L.E. ROTATION SHOWN

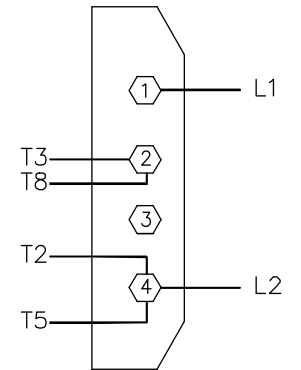
LINE LEADS



HIGH VOLTAGE
C.C.W.L.E.



LOW VOLTAGE
C.C.W.L.E.



FOR C.W. ROTATION INTERCHANGE T5 AND T8.

				TOLERANCES UNLESS OTHERWISE SPECIFIED		LEESON ELECTRIC CORPORATION				
				DECIMALS						
				.00	± .01	DRAWN JRW 08/29/74	TITLE EXTERNAL WIRING DIAGRAM W/BOARD TYPE "C" W/PROTECTOR			
15	CHANGED ROTATION PER ECR-0045130	MN	ARV	10/16/13	.000	± .005	CH'K'D. WRK 09/03/74	MAT'L. C.C.W. DECAL - 004098		
14	REDRAWN ON CAD		DBT	06/04/97	.0000	± .0005	APPR. JCW 09/03/74	C.W. DECAL - 080074 BRF		
NO.	REVISION	BY	DATE	FRACTIONS	± 1/64	SCALE	1=1			
THIS DRAWING IN DESIGN AND DETAIL IS OUR PROPERTY AND MUST NOT BE USED EXCEPT IN CONNECTION WITH OUR WORK ALL RIGHTS OF DESIGN AND INVENTION ARE RESERVED				ANGLES	± 1/2°	REF.	FIG.2-33 C4A	FINISH	SIZE	DRAWING NO.
				INCH/MM		FMF	MG1-2.48		A	005049-01

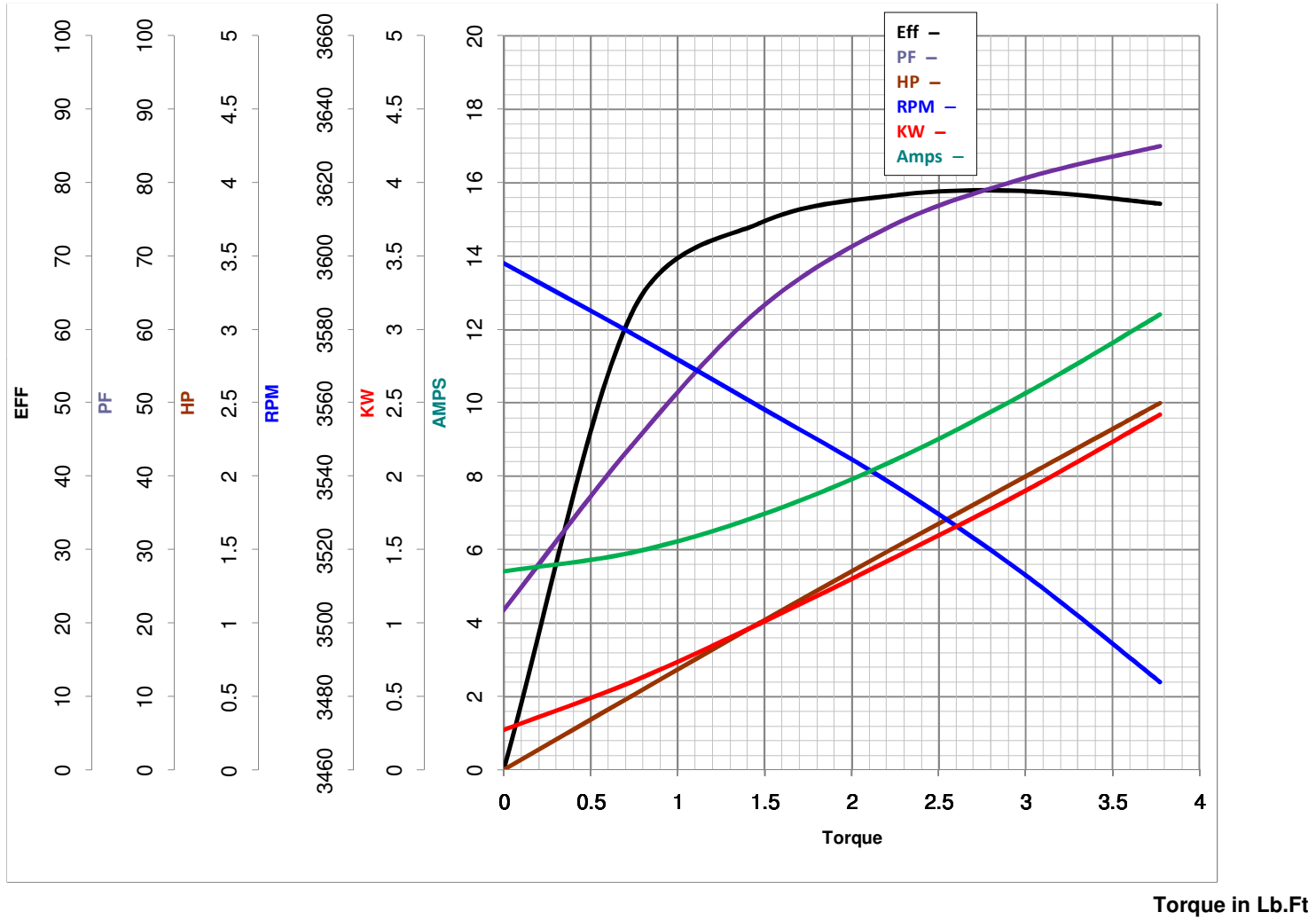


LEESON ELECTRIC CORPORATION
 TYPICAL PERFORMANCE CURVE for AC MOTOR

Model No 110289.00

Catalog No 110289.00

Curve at 230 Volts HP 2.00 PHASE 1
60 HZ
2 HP VOLTS 115/208-230
 HZ 60 RPM 3450



FL TORQUE	<u>3</u>	Lb.Ft	FL AMPS	<u>21/10.5</u>	
BD TORQUE	<u>8.0</u>	Lb.Ft	PU TORQUE	<u>5.0</u>	Lb.Ft
LR TORQUE	<u>5.3</u>	Lb.Ft	LR AMPS	<u>64</u>	
WINDING	C632240-3		Date	<u>4/11/2018</u>	