

PRODUCT INFORMATION PACKET



Model No: U6C34DC18G

Catalog No: 110288.00

1.5HP..3450RPM.56.DP.115/208-230V.1PH.60HZ.CONT.AUTOMATIC.40C.1.3SF.C FACE.JET
PUMP.U6C34DC18G

Jet Pump



Regal and Leeson are trademarks of Regal Beloit Corporation or one of its affiliated companies.

©2018 Regal Beloit Corporation, All Rights Reserved. MC017097E





Nameplate Specifications

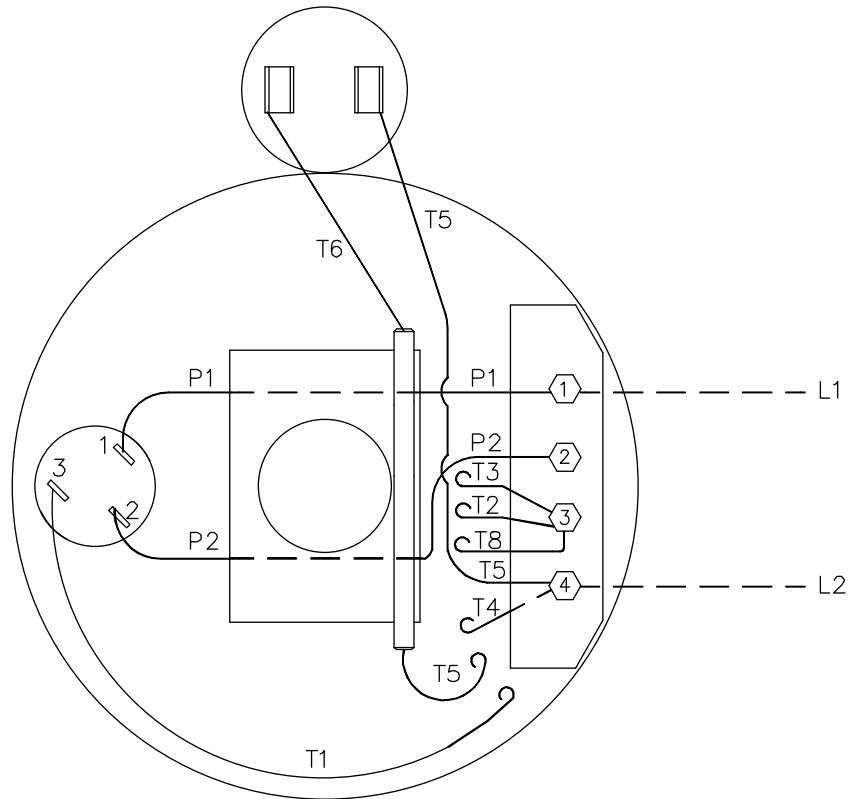
Output HP	1.50 Hp	Output KW	1.1 kW
Frequency	60 Hz	Voltage	115/208-230 V
Current	18.0/9.0 A	Speed	3450 rpm
Service Factor	1.3	Phase	1
Efficiency	74 %	Duty	Continuous
Insulation Class	B	Design Code	L
KVA Code	K	Frame	56C
Enclosure	Drip Proof	Overload Protector	Automatic
Ambient Temperature	40 °C	Drive End Bearing Size	6203
Opp Drive End Bearing Size	6203	UL	Recognized (Not Protector)
CSA	Y	CE	N
IP Code	22		

Technical Specifications

Electrical Type	Capacitor Start Induction Run	Starting Method	Across The Line
Poles	2	Rotation	Selective Counterclockwise
Mounting	Round	Motor Orientation	HORIZONTAL
Drive End Bearing	BALL	Opp Drive End Bearing	BALL
Frame Material	Rolled Steel	Shaft Type	NEMA 56
Overall Length	11.34 in	Frame Length	6.50 in
Shaft Diameter	0.625 in	Shaft Extension	1.88 in
Assembly/Box Mounting	F1 ONLY		
Outline Drawing	028600-650B	Connection Diagram	005049.01

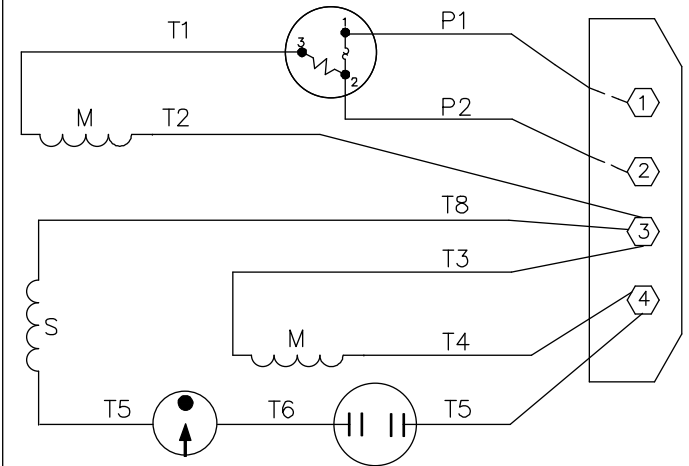
This is an uncontrolled document once printed or downloaded and is subject to change without notice. Date Created: 10/15/2018

VIEW FROM OUTSIDE OF MOTOR AT SWITCH END.

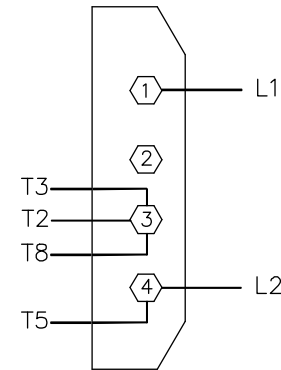


HIGH VOLTAGE
C.C.W.L.E. ROTATION SHOWN

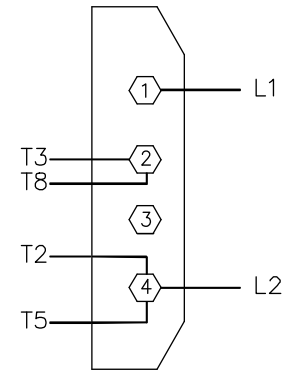
LINE LEADS



HIGH VOLTAGE
C.C.W.L.E.



LOW VOLTAGE
C.C.W.L.E.



FOR C.W. ROTATION INTERCHANGE T5 AND T8.

				TOLERANCES UNLESS OTHERWISE SPECIFIED		LEESON ELECTRIC CORPORATION				
				DECIMALS						
				.00	± .01	DRAWN JRW 08/29/74	TITLE EXTERNAL WIRING DIAGRAM W/BOARD TYPE "C" W/PROTECTOR			
15	CHANGED ROTATION PER ECR-0045130	MN	ARV	10/16/13	.000	± .005	CH'K'D. WRK 09/03/74	MAT'L. C.C.W. DECAL - 004098		
14	REDRAWN ON CAD		DBT	06/04/97	.0000	± .0005	APPR. JCW 09/03/74	C.W. DECAL - 080074 BRF		
NO.	REVISION	BY	DATE	FRACTIONS	± 1/64	SCALE	1=1			
THIS DRAWING IN DESIGN AND DETAIL IS OUR PROPERTY AND MUST NOT BE USED EXCEPT IN CONNECTION WITH OUR WORK ALL RIGHTS OF DESIGN AND INVENTION ARE RESERVED				ANGLES	± 1/2"	REF.	FIG.2-33 C4A	FINISH	SIZE	DRAWING NO.
				INCH/MM		FMF	MG1-2.48		A	005049-01

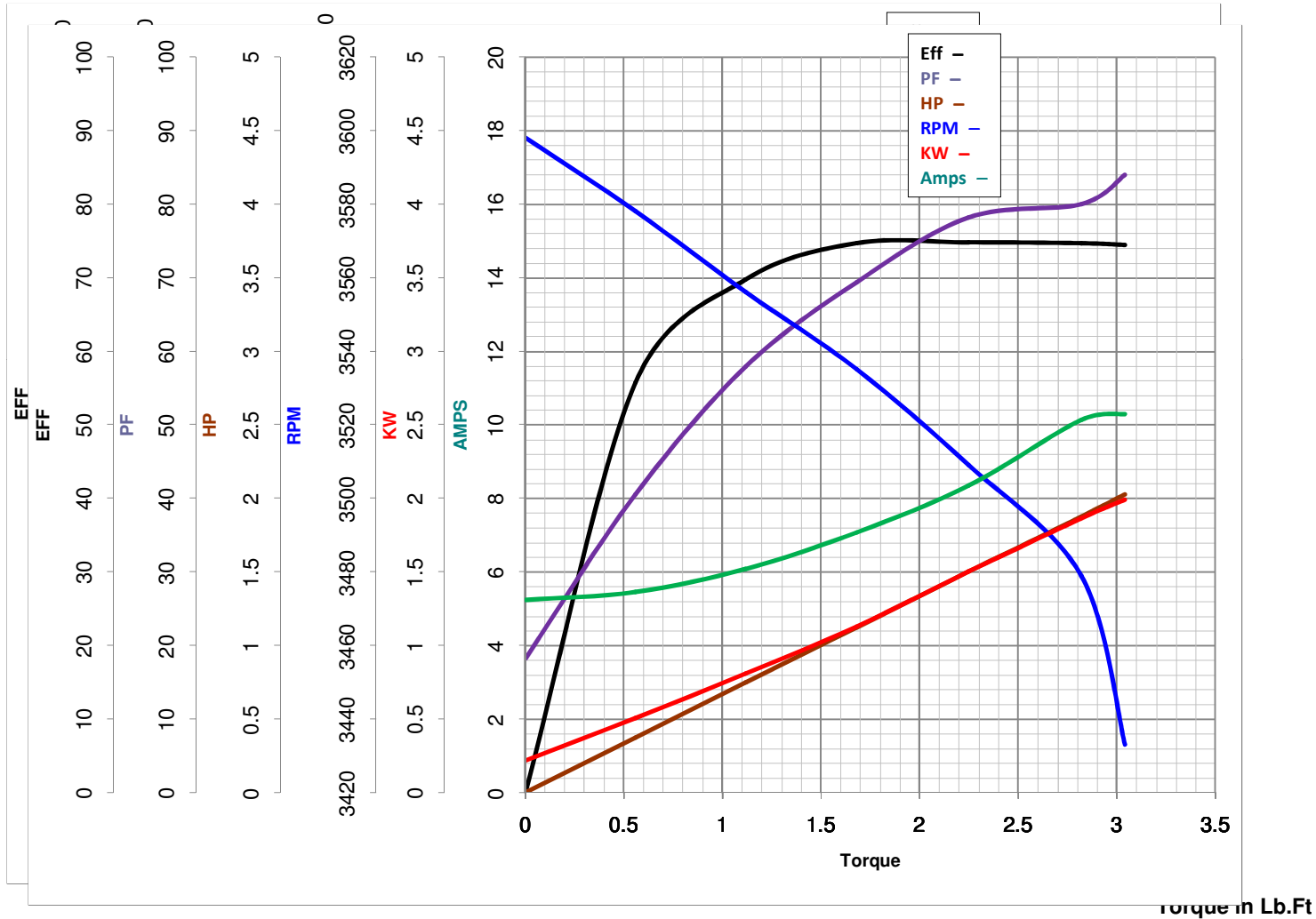


LEESON ELECTRIC CORPORATION
TYPICAL PERFORMANCE CURVE for AC MOTOR

Model No 110288.00

Catalog No 110288.00

Curve at 230 Volts HP 1.50 PHASE 1
60 HZ
1.5 HP VOLTS 115/208-230
HZ 60 RPM 3450



FL TORQUE 2.25 Lb.Ft
 BD TORQUE 6.4 Lb.Ft
 LR TORQUE 4.4 Lb.Ft

FL AMPS 18/9
 PU TORQUE 4.1 Lb.Ft
 LR AMPS 52.7

WINDING C632239-3

Date 4/11/2018