

PRODUCT INFORMATION PACKET



Model No: C6C34FB15G

Catalog No: 110276.00

3/4HP..3450RPM.56.TEFC.115/208-230V.1PH.60HZ.CONT.NOT.40C.1.15SF.RIGID.GENERAL
PURPOSE.C6C34FB15G

Totally Enclosed Fan Cooled (TEFC)



Regal and Leeson are trademarks of Regal Beloit Corporation or one of its affiliated companies.

©2018 Regal Beloit Corporation, All Rights Reserved. MC017097E





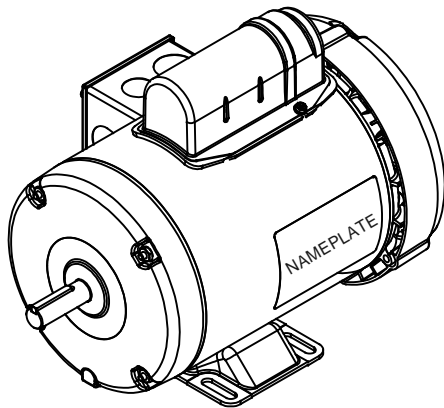
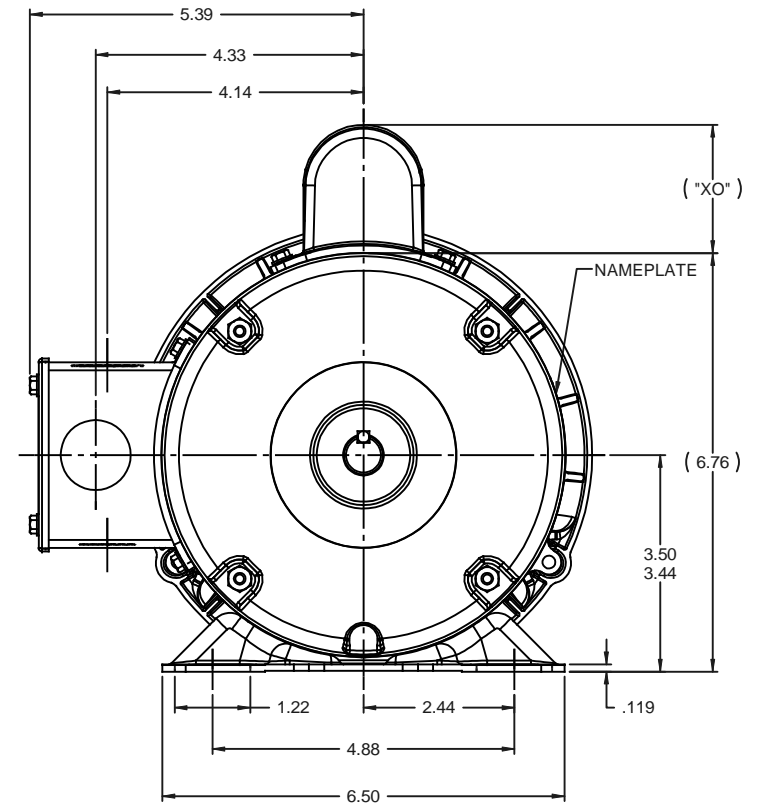
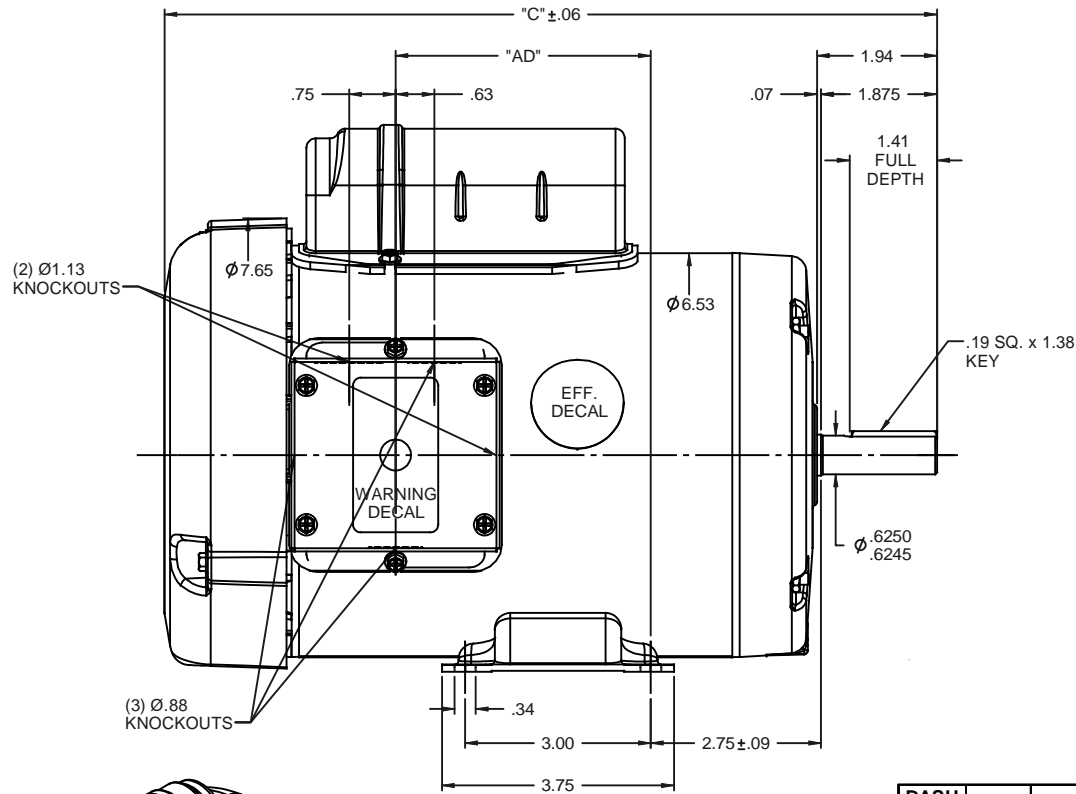
Nameplate Specifications

Output HP	0.75 Hp	Output KW	0.56 kW
Frequency	60 Hz	Voltage	115/208-230 V
Current	10.0/5.2-5.0 A	Speed	3450 rpm
Service Factor	1.15	Phase	1
Efficiency	64 %	Duty	Continuous
Insulation Class	B	Design Code	N
KVA Code	L	Frame	56
Enclosure	Totally Enclosed Fan Cooled	Overload Protector	No
Ambient Temperature	40 °C	Drive End Bearing Size	6203
Opp Drive End Bearing Size	6203	UL	Recognized
CSA	Y	CE	N
IP Code	43		

Technical Specifications

Electrical Type	Capacitor Start Induction Run	Starting Method	Across The Line
Poles	2	Rotation	Selective Counterclockwise
Mounting	Rigid base	Motor Orientation	HORIZONTAL
Drive End Bearing	BALL	Opp Drive End Bearing	BALL
Frame Material	Rolled Steel	Shaft Type	NEMA 56
Overall Length	11.48 in	Frame Length	6.00 in
Shaft Diameter	0.625 in	Shaft Extension	1.88 in
Assembly/Box Mounting	F1 ONLY		
Outline Drawing	028797-600B	Connection Diagram	005005.01

This is an uncontrolled document once printed or downloaded and is subject to change without notice. Date Created: 10/15/2018

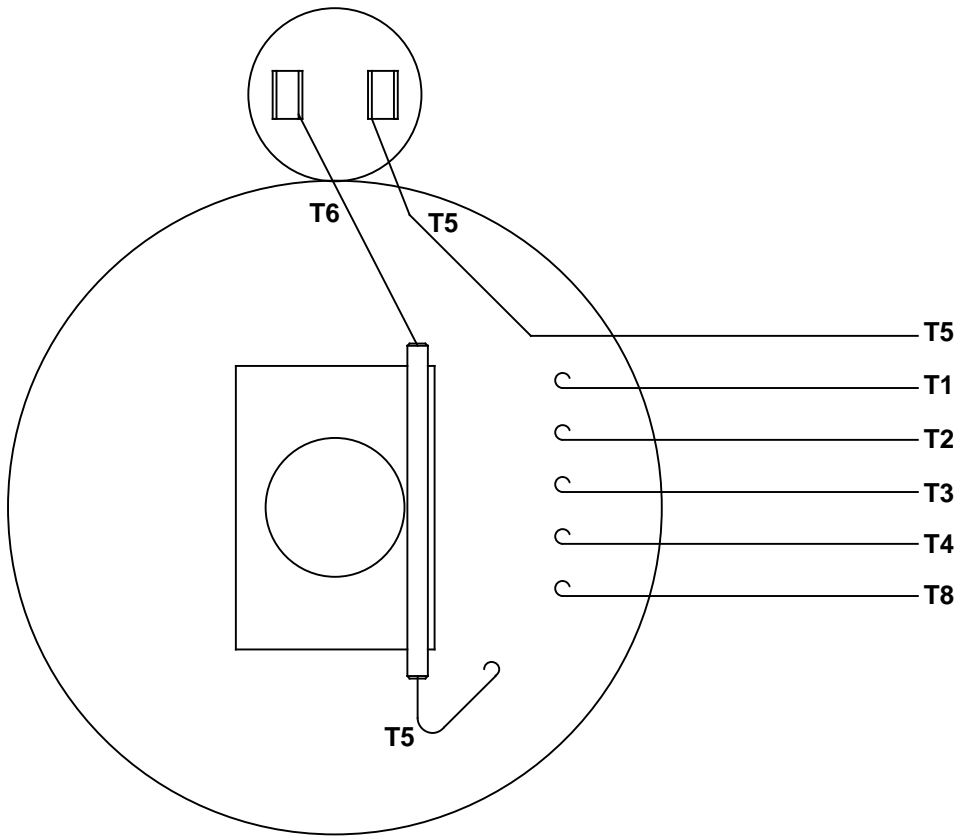


DASH NO.	"C"	"AD"	CAP DASH	"XO"
500	10.48	2.13		
550	10.98	2.63		
600	11.48	3.13	A	1.61
650	11.98	3.63	B	2.08
700	12.48	4.13	C	2.32
750	12.98	4.63		

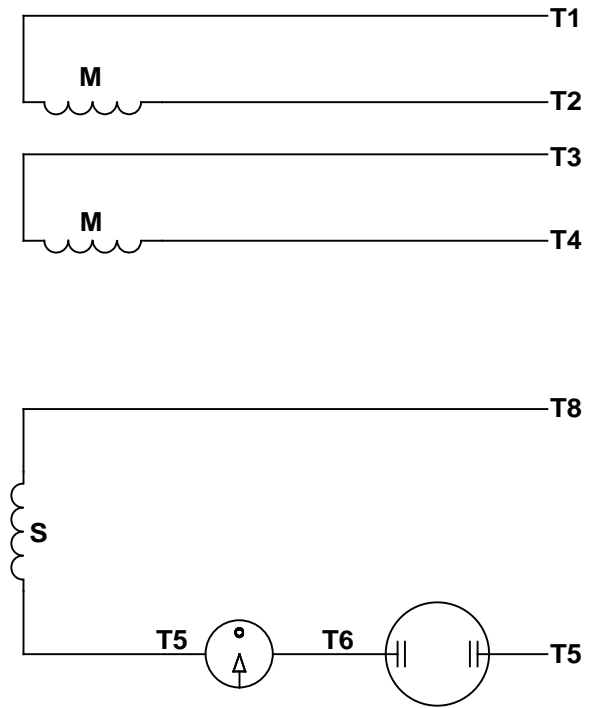
NOTES:
 1) GASKETS THROUGHOUT

REVISION		BY & DATE	CHK	ANG	FINISH	SCALE	PAGE	OF	REV																	
01	ADDED ISOMETRIC VIEW AS PER ISAAC #08-4017	GRB/ 9/5/2008	DJ	xxx	±.0005	MATL	1	1	01																	
<table border="0"> <tr> <td>TOLERANCES UNLESS SPECIFIED:</td> <td>DEC</td> <td>INCHES</td> </tr> <tr> <td>x</td> <td></td> <td>±.1</td> </tr> <tr> <td>.xx</td> <td></td> <td>±.03</td> </tr> <tr> <td>.xxx</td> <td></td> <td>±.005</td> </tr> <tr> <td>.xxx</td> <td></td> <td>±.0005</td> </tr> </table>						TOLERANCES UNLESS SPECIFIED:	DEC	INCHES	x		±.1	.xx		±.03	.xxx		±.005	.xxx		±.0005			ELECTRIC MOTORS GEARMOTORS AND DRIVES		DRAWN: KMM 09/18/07 CHK: APPR: REF: 028612 FMF: 110094.00	
TOLERANCES UNLESS SPECIFIED:	DEC	INCHES																								
x		±.1																								
.xx		±.03																								
.xxx		±.005																								
.xxx		±.0005																								
TITLE: OUTLINE - 56 FRAME TEFC - RIGID						SCALE: 1:2		REF: 028612																		
FINISH: GENERAL PURPOSE						PAGE: 1 OF 1		REV: 01																		
NETWORK FILE NAME						SIZE: B		DRAWING NO: 028797																		

VIEW FROM OUTSIDE OF MOTOR AT SWITCH END.



LINE LEADS



RBC PROPRIETARY AND CONFIDENTIAL INFORMATION
 This document is the property of REGAL BELOIT CORPORATION ("RBC") including its subsidiaries and divisions and contains proprietary information of RBC. This document is loaned on the express condition that neither it nor the information contained therein shall be disclosed to others without the express written consent of RBC, and that the information shall be used by the recipient only as approved expressly by RBC. This document shall be returned to RBC upon its request. This document may be subject to certain restrictions under U.S. export control laws and regulations.

	ROTATION FACING LEAD END	L1	L2	JOIN
HIGH VOLT	C.C.W.	T1	T4, T5	T2, T3, T8
	C.W.	T1	T4, T8	T2, T3, T5
LOW VOLT	C.C.W.	T1, T3, T8	T2, T4, T5	-----
	C.W.	T1, T3, T5	T2, T4, T8	-----

--	REDRAWN IN SOLIDWORKS	VJB 02/16/11	TOLERANCES UNLESS SPECIFIED		LEESON	ELECTRIC MOTORS GEARMOTORS AND DRIVES	DRAWN ADH 08/06/73
27	UPDATED TO CURRENT STANDARDS	DBT 05/27/97	DEC	INCHES			CHK
26	ADDED PAGE 32 (114787) & PAGE 33 (114788)	KAZ 12/20/95	PG	.X	±.1		APPR JCW 03/09/79
25	ADDED PAGE 31	KAZ 04/19/95	DL	.XX	±.01	TITLE EXTERNAL WIRING DIAGRAM TYPE "C" W/O PROTECTOR	SCALE 1:1
24	ADDED PAGES 29 & 30	KMM 03/30/95	DL	.XXX	±.005	MAT'L DECAL - 004012	REF FIG 2-23 C4A
23	ADDED PAGE 28	KMM 01/27/95		.XXXX	±.0005	FINISH	FMF MGI-2.4B
NO	REVISION	BY & DATE	CHK	ANG	±1/2°		PAGE OF
THIRD ANGLE PROJECTION			RFP	PREV	SIZE	DRAWING NO	REV
			NETWORK FILE NAME 00500501		A	005005-01	--



LEESON ELECTRIC CORPORATION
 TYPICAL PERFORMANCE CURVE for AC MOTOR

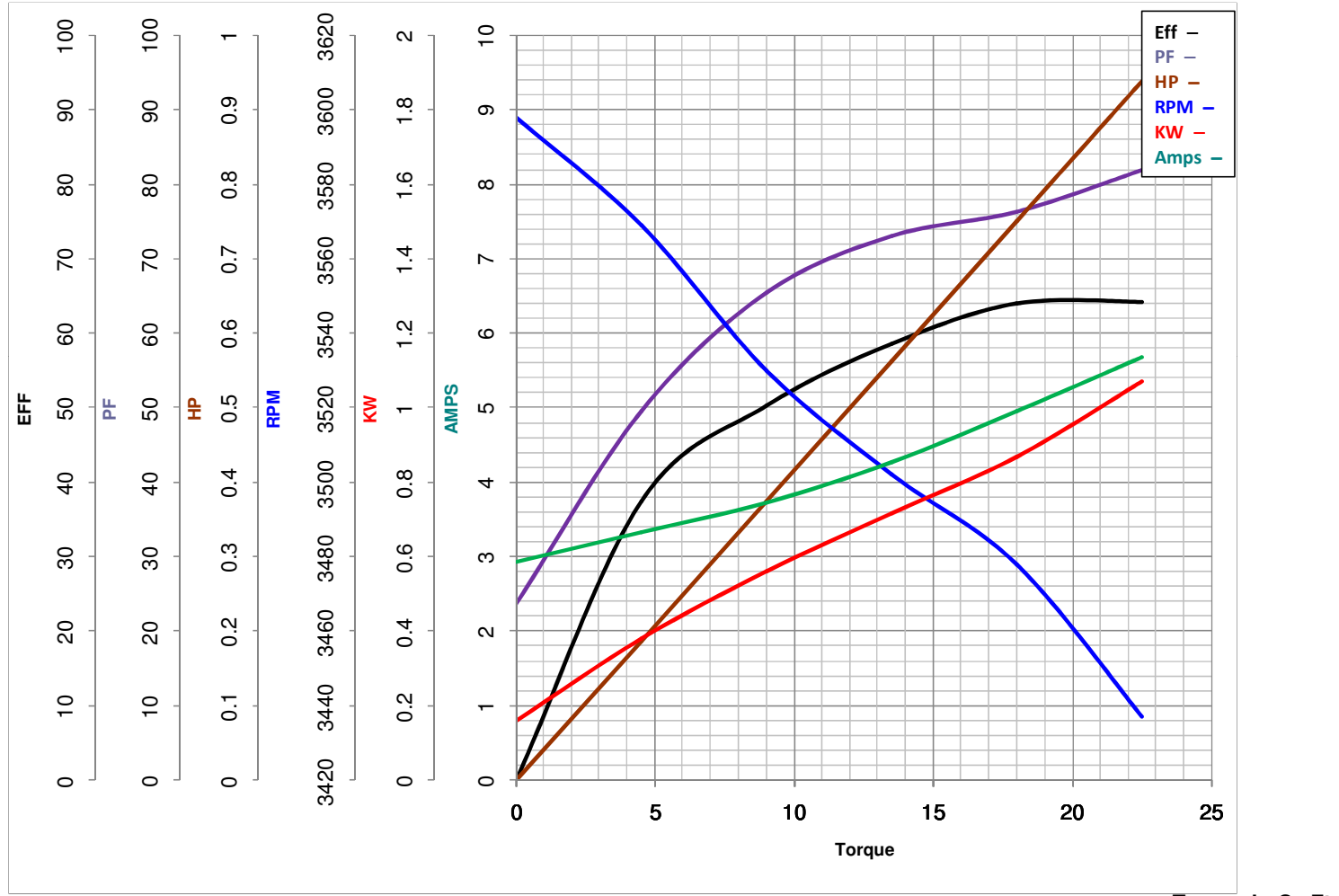
Curve at 230 Volts HP 0.76 PHASE 1
60 HZ
0.75 HP VOLTS 115/208-230

Model No 110276.00

Catalog No 110276.00

HZ 60

RPM 3450



FL TORQUE	<u>18</u>	Oz.Ft	FL AMPS	<u>10/5.2-5</u>	
BD TORQUE	<u>48.0</u>	Oz.Ft	PU TORQUE	<u>45.0</u>	Oz.Ft
LR TORQUE	<u>64</u>	Oz.Ft	LR AMPS	<u>30</u>	
WINDING	C632210-3		Date	<u>3/13/2018</u>	