

PRODUCT INFORMATION PACKET



Model No: M6C34DB13H

Catalog No: 110222.00

3HP..3450RPM.56.DP./230V.1PH.60HZ.CONT.MANUAL.40C.1.15SF.RIGID.COMPRESSOR
DUTY.M6C34DB13H

Air Compressor



Regal and Leeson are trademarks of Regal Beloit Corporation or one of its affiliated companies.

©2018 Regal Beloit Corporation, All Rights Reserved. MC017097E





Nameplate Specifications

Output HP	3 Hp	Output KW	2.2 kW
Frequency	60 Hz	Voltage	230 V
Current	15.0 A	Speed	3450 rpm
Service Factor	1.15	Phase	1
Efficiency	76 %	Duty	Continuous
Insulation Class	F	Design Code	L
KVA Code	G	Frame	56Y
Enclosure	Drip Proof	Overload Protector	Manual
Ambient Temperature	40 °C	Drive End Bearing Size	6205
Opp Drive End Bearing Size	6203	UL	Recognized
CSA	Y	CE	N
IP Code	22		

Technical Specifications

Electrical Type	Capacitor Start Induction Run	Starting Method	Across The Line
Poles	2	Rotation	Selective Counterclockwise
Mounting	Rigid base	Motor Orientation	HORIZONTAL
Drive End Bearing	BALL	Opp Drive End Bearing	BALL
Frame Material	Rolled Steel	Shaft Type	NEMA 56
Overall Length	12.28 in	Frame Length	7.50 in
Shaft Diameter	0.625 in	Shaft Extension	1.87 in
Assembly/Box Mounting	F1 ONLY		
Outline Drawing	029079-750B	Connection Diagram	005028.03

This is an uncontrolled document once printed or downloaded and is subject to change without notice. Date Created: 10/15/2018

4

3

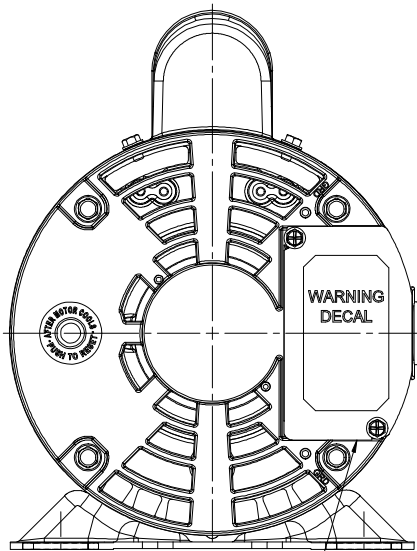
Uncontrolled Copy

2

1

B

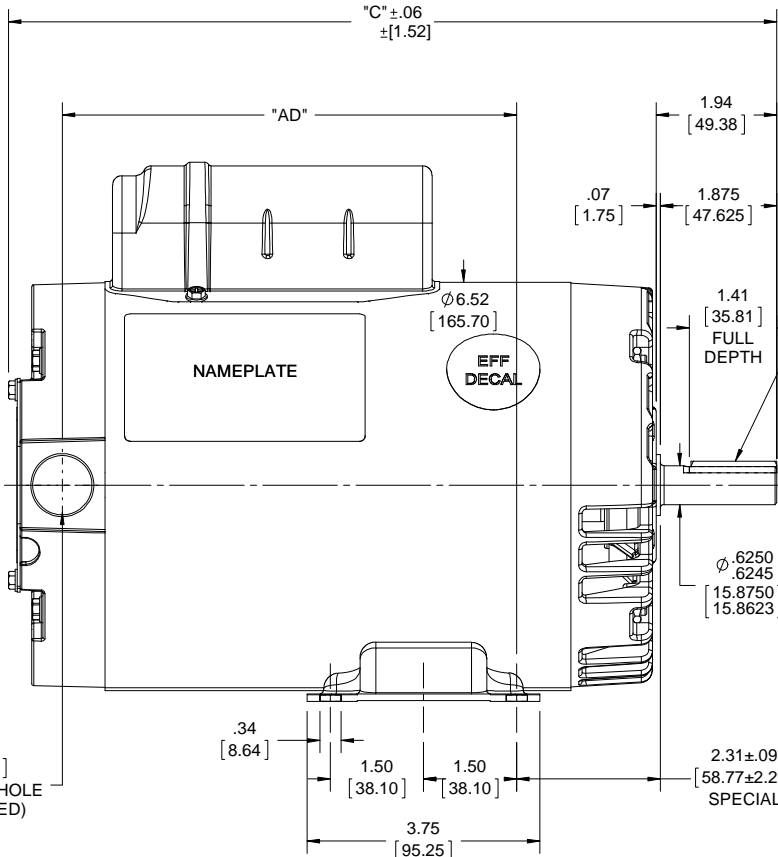
B



DECAL-CONNECTION
UNDER COVER
(WHEN REQ'D)

WARNING
DECAL

∅.88
[22.23]
CONDUIT HOLE
(PLUGGED)



.34
[8.64]

1.50
[38.10]

1.50
[38.10]

3.75
[95.25]

.07
[1.75]

"C" ±.06
±[1.52]

"AD"

∅6.52
[165.70]

EFF
DECAL

1.94
[49.38]

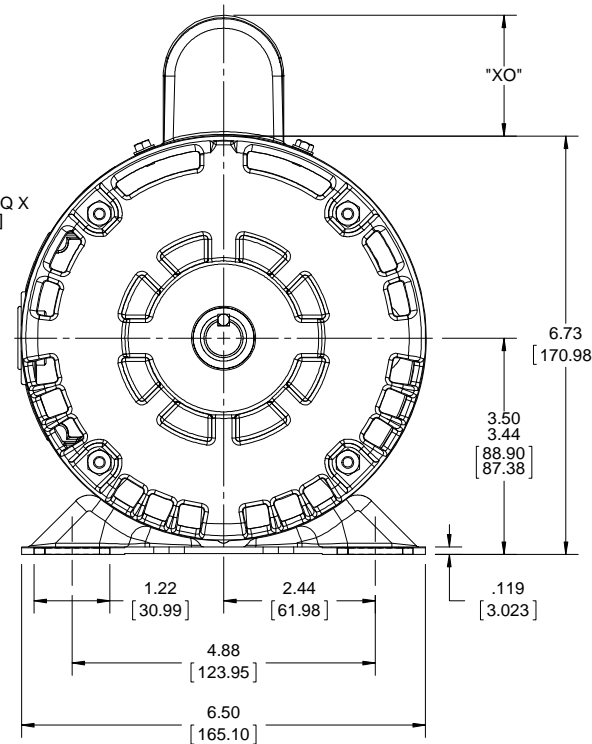
1.875
[47.625]

1.41
[35.81]
FULL
DEPTH

.19 [4.82] SQ X
1.38 [35.05]
KEY.

∅.6250
.6245
[15.8750]
[15.8623]

2.31±.09
[58.77±2.29]
SPECIAL



"XO"

6.73
[170.98]

3.50
3.44
[88.90]
[87.38]

1.22
[30.99]

2.44
[61.98]

4.88
[123.95]

6.50
[165.10]

.119
[3.023]

A

A

DASH NO.	"C"	"AD"	CAP DASH.	"XO"
750	12.37 [314.19]	7.31 [185.67]	B	1.95 [49.53]

DRAWING REVISION A	REVISION BY	DATE
ECO ECO-0140840	APPROVED BY	DATE
ECO DESCRIPTION OUTLINE CONVERSION PROJECT		
<small>COPYRIGHT REGAL BELOIT AMERICA, INC. ALL RIGHTS RESERVED. PROPRIETARY AND CONFIDENTIAL INFORMATION - THIS DOCUMENT IS THE PROPERTY OF REGAL BELOIT AMERICA, INC. ("OWNER") AND CONTAINS OWNER'S PROPRIETARY INFORMATION. ANY PERSON, CORPORATION OR OTHER FIRM RECEIVING IT IS DEEMED, BY RECEIVING IT, TO AGREE THAT IT, AND/OR ANY PART OF IT, SHALL NOT BE DISCLOSED TO ANY PERSON, CORPORATION OR OTHER ENTITY, DUPLICATED, AND/OR USED, EXCEPT AS EXPRESSLY APPROVED IN WRITING IN ADVANCE BY OWNER. THIS DOCUMENT SHALL BE RETURNED TO OWNER UPON REQUEST. IT MAY BE SUBJECT TO CERTAIN RESTRICTIONS UNDER APPLICABLE EXPORT CONTROL LAWS AND REGULATIONS.</small>		

TOLERANCES UNLESS OTHERWISE SPECIFIED:			
DEC.	INCH	mm	ANGLE
.X	±0.1	[±2.5]	±0.5°
.XX	±0.03	[±0.76]	
.XXX	±0.005	[±0.127]	
.XXXX	±0.0005	[±0.0127]	
REMOVE BURRS & BREAK SHARP EDGES: .003/.015 [0.076/.381] X 45°			
CORNER FILLETS: R.02 [51]			
MACHINED SURFACES: 125/3.2			
mm SHOWN IN [BRACKETS]			

DRAWN BY A SUPPANAVAR
DATE 01/22/2018
APPROVED BY PK
DATE 03/08/2018
REFERENCE 028550
THIRD ANGLE PROJECTION

Regal Beloit America, Inc.	
DESCRIPTION OUTLINE 56Y FRAME DRIP PROOF-RIGID	
MATERIAL COMPRESSOR DUTY	PROCESS/FINISH
SIZE B	DRAWING NUMBER 029079
SHEET 1 OF 1	

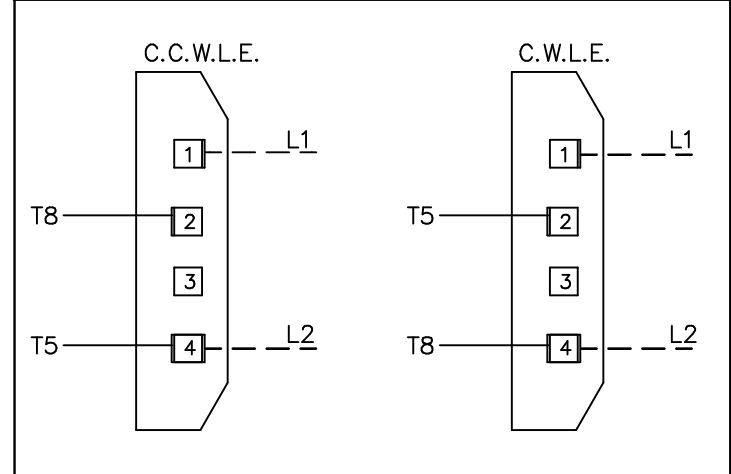
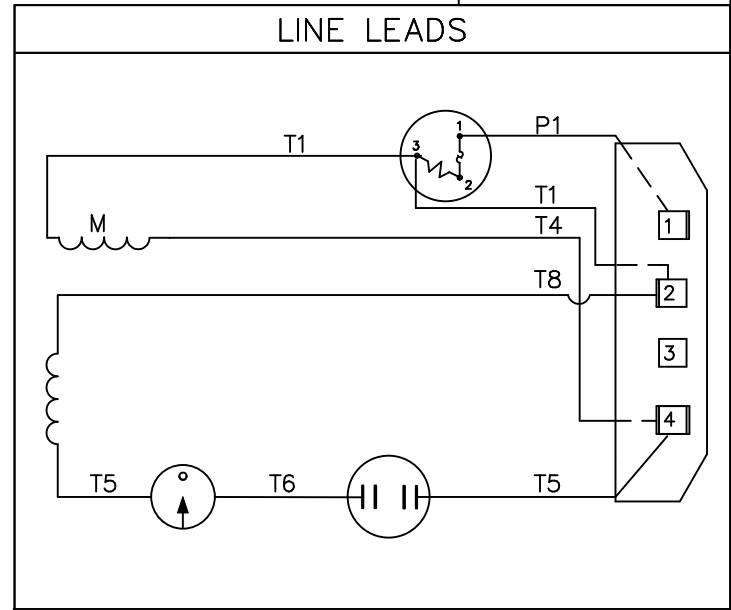
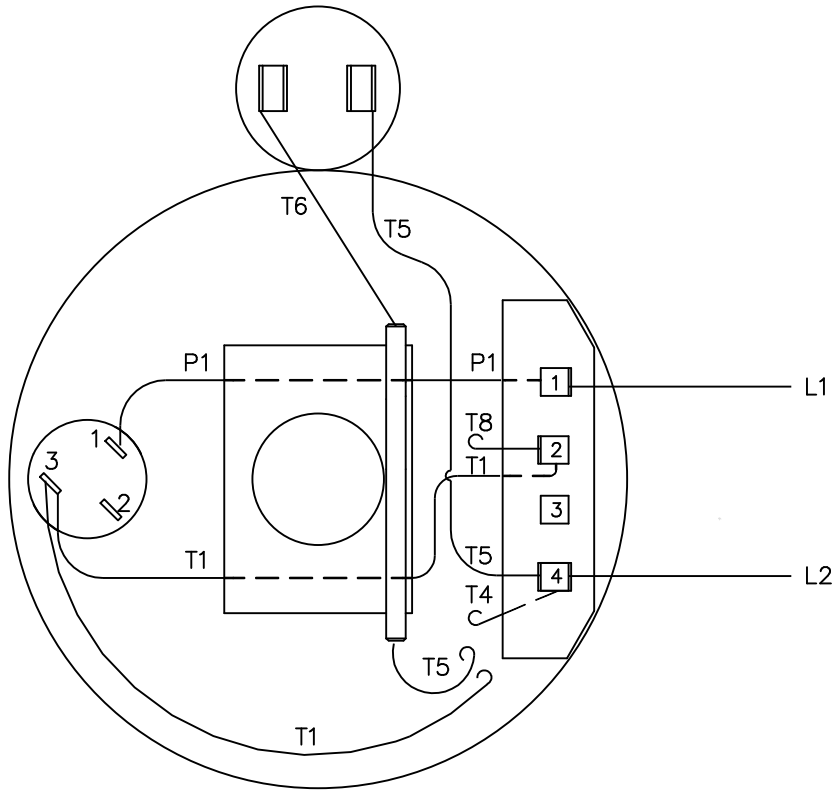
4

3

2

1

VIEW FROM OUTSIDE OF MOTOR AT SWITCH END.



				TOLERANCES UNLESS OTHERWISE SPECIFIED		LEESON ELECTRIC CORPORATION	
				DECIMALS			
				.00	± .01	DRAWN WLW 06/24/77	TITLE
				.000	± .005	CH'K'D. TEM	EXTERNAL WIRING DIAGRAM
03	REDRAWN ON CAD	DBT	06/16/97	.0000	± .0005	APPR. 06/29/77	TYPE "C" W/ PROTECTOR
NO.	REVISION	BY	DATE	FRACTIONS	± 1/64	SCALE 1=1	MAT'L. DECAL - 004112
THIS DRAWING IN DESIGN AND DETAIL IS OUR PROPERTY AND MUST NOT BE USED EXCEPT IN CONNECTION WITH OUR WORK ALL RIGHTS OF DESIGN AND INVENTION ARE RESERVED				ANGLES	± 1/2"	REF. C4G	FINISH
				INCH/MM		FMF A4C17DR20	SIZE A
						DRAWING NO. 005028-03	

BRF



LEESON ELECTRIC CORPORATION

TYPICAL PERFORMANCE CURVE for AC MOTOR

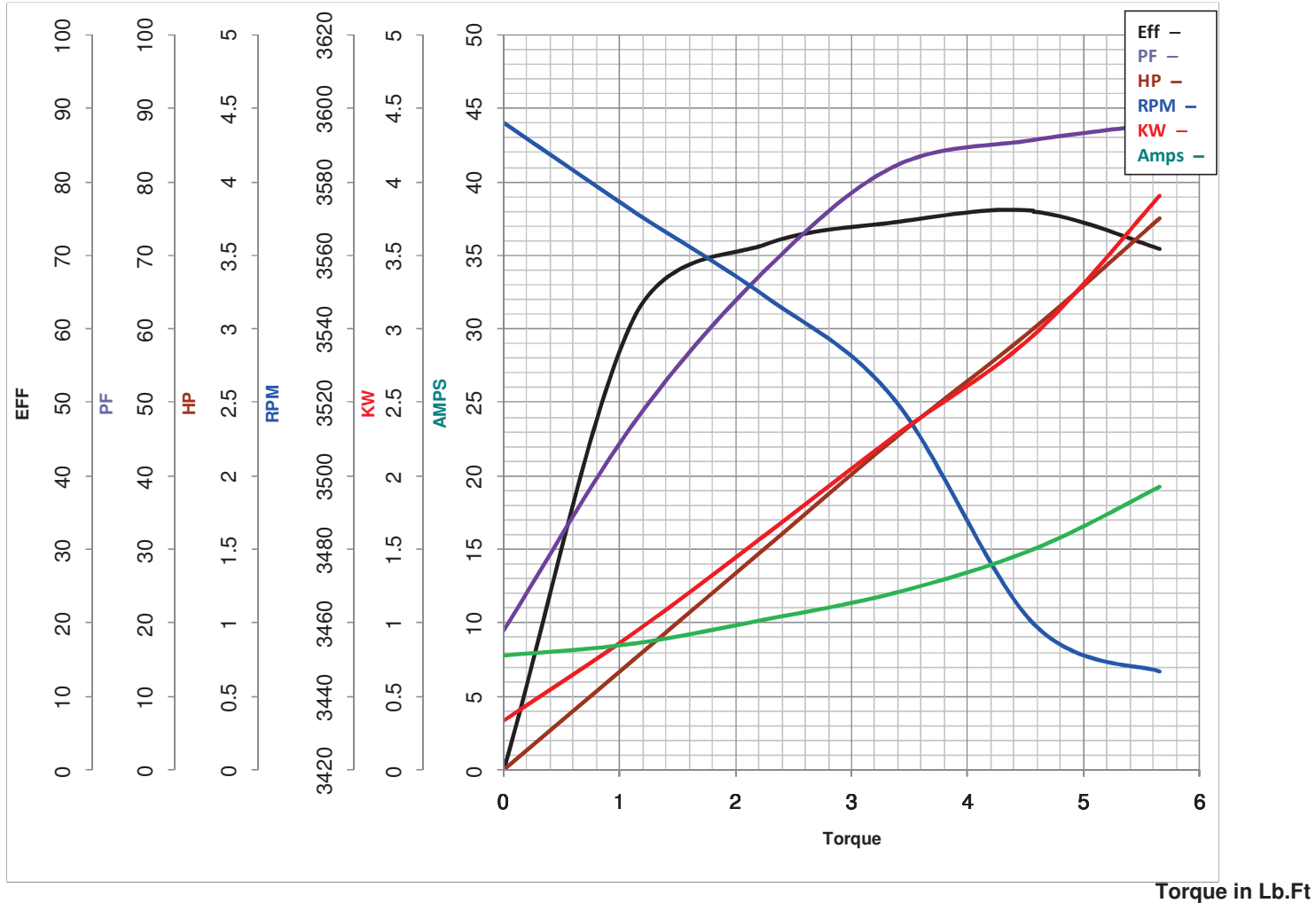
Curve at 230 Volts HP 3.00 PHASE 1
60 HZ
3 HP VOLTS 230

Model No 110222.00

Catalog No 110222.00

HZ 60

RPM 3450



FL TORQUE 4.57 Lb.Ft
 BD TORQUE 8.9 Lb.Ft
 LR TORQUE 8.3 Lb.Ft

FL AMPS 15
 PU TORQUE 7.8 Lb.Ft
 LR AMPS 78

WINDING C632214-2

Date 4/23/2018