

# PRODUCT INFORMATION PACKET



Model No: P6C34DB7H

Catalog No: 110161.00

..1

1/2HP..3450RPM.56.DP.115/230V.1PH.60HZ.CONT.40C.SPECSF.RIGID.P6C34DB7H.....COMPRESSOR  
DUTY.MANUAL.....

Air Compressor



Regal and Leeson are trademarks of Regal Beloit Corporation or one of its affiliated companies.

©2018 Regal Beloit Corporation, All Rights Reserved. MC017097E





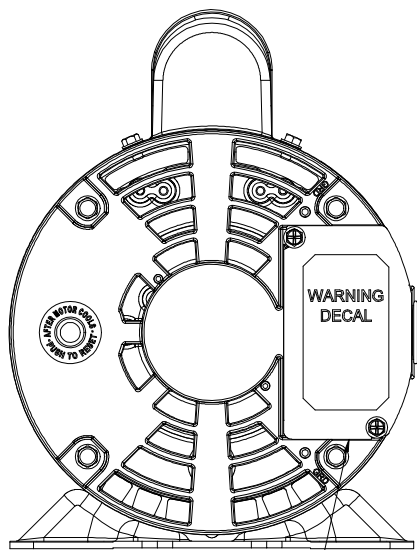
### Nameplate Specifications

Output HP	1.50 Hp	Output KW	1.1 kW
Frequency	60 Hz	Voltage	115/230 V
Current	20.0/10.0 A	Speed	3450 rpm
Service Factor	1	Phase	1
Efficiency	72 %	Duty	Continuous
Insulation Class	B	Design Code	L
KVA Code	K	Frame	56
Enclosure	Drip Proof	Overload Protector	Manual
Ambient Temperature	40 °C	Drive End Bearing Size	6203
Opp Drive End Bearing Size	6203	UL	Recognized ( Not Protector)
CSA	Y	CE	N
IP Code	22		

### Technical Specifications

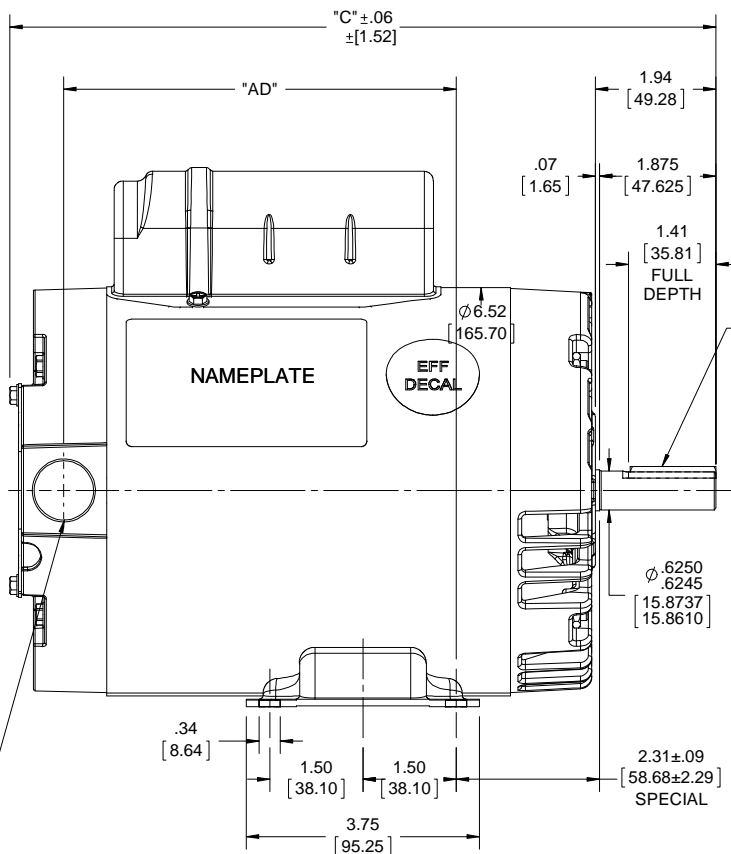
Electrical Type	Capacitor Start Induction Run	Starting Method	Across The Line
Poles	2	Rotation	Selective Clockwise
Mounting	Rigid base	Motor Orientation	HORIZONTAL
Drive End Bearing	BALL	Opp Drive End Bearing	BALL
Frame Material	Rolled Steel	Shaft Type	NEMA 56
Overall Length	11.88 in	Frame Length	7.00 in
Shaft Diameter	0.625 in	Shaft Extension	1.88 in
Assembly/Box Mounting	F1 ONLY		
Outline Drawing	028550-700B	Connection Diagram	005049.06

This is an uncontrolled document once printed or downloaded and is subject to change without notice. Date Created: 10/15/2018

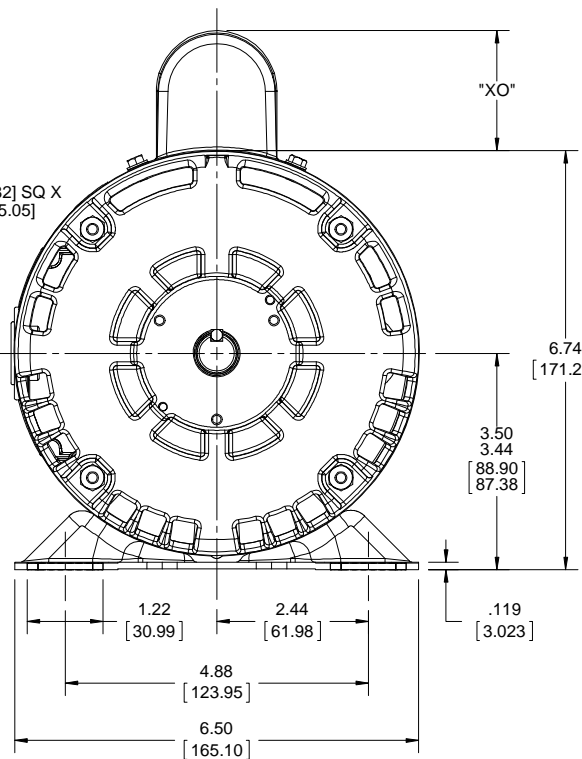


DECAL-CONNECTION UNDER COVER (WHEN REQ'D)

Ø.88 [22.35] CONDUIT HOLE (PLUGGED).



.19 [4.82] SQ X 1.38 [35.05] KEY.



DASH NO.	"C"	"AD"
650	11.37 [288.79]	6.32 [160.53]
700	11.87 [301.49]	6.82 [173.23]
750	12.37 [314.19]	7.32 [185.93]

CAP DASH.	"XO"
A	1.48 [37.59]
B	1.95 [49.53]
C	2.19 [55.63]

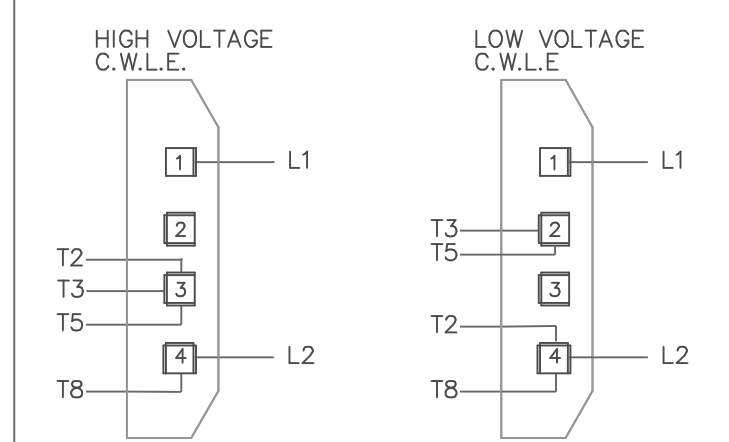
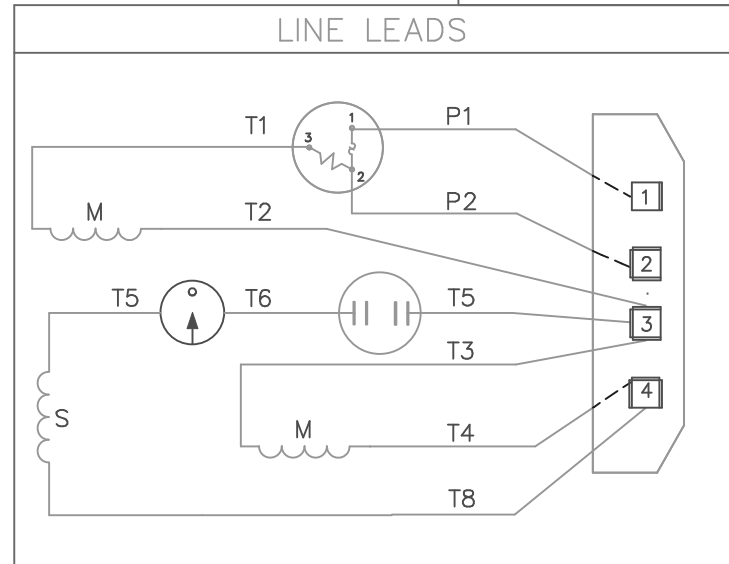
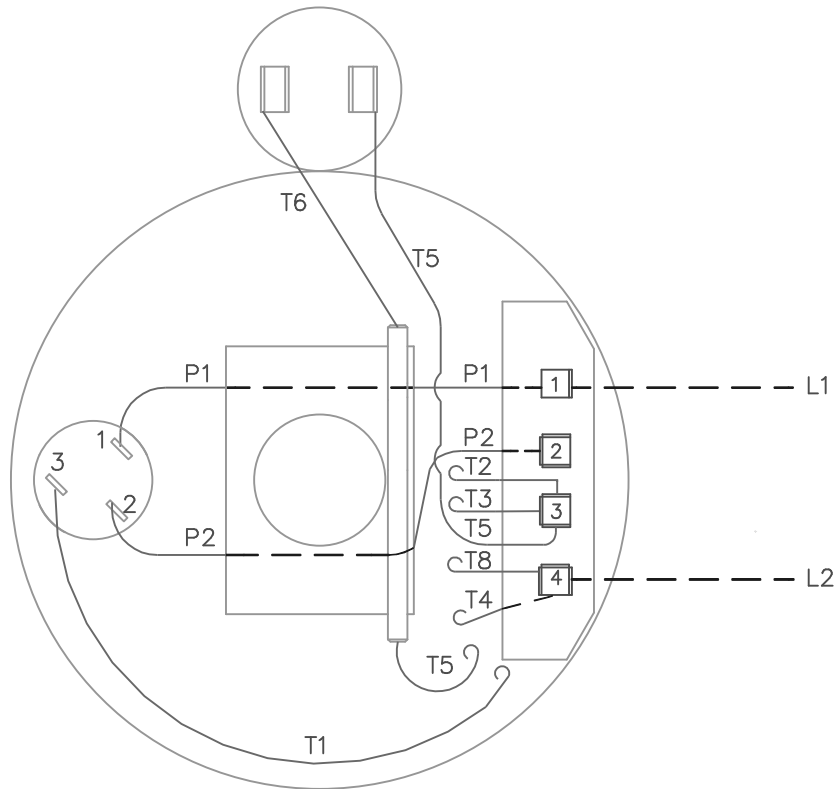
DRAWING REVISION E	REVISION BY A.SUPPANAVAR	DATE 01/22/2018
ECO ECO-0143018	APPROVED BY PK	DATE 04/10/2018
ECO DESCRIPTION OUTLINE CONVERSION PROJECT		
<small>COPYRIGHT REGAL BELOIT AMERICA, INC. ALL RIGHTS RESERVED.          PROPRIETARY AND CONFIDENTIAL INFORMATION - THIS DOCUMENT IS THE PROPERTY OF          REGAL BELOIT AMERICA, INC. (OWNER) AND CONTAINS OWNER'S PROPRIETARY          INFORMATION. ANY PERSON, CORPORATION OR OTHER FIRM RECEIVING IT IS DEEMED,          BY RECEIVING IT, TO AGREE THAT IT, AND/OR ANY PART OF IT, SHALL NOT BE DISCLOSED          TO ANY PERSON, CORPORATION OR OTHER ENTITY, DUPLICATED, AND/OR USED, EXCEPT          AS EXPRESSLY APPROVED IN WRITING IN ADVANCE BY OWNER. THIS DOCUMENT SHALL          BE RETURNED TO OWNER UPON REQUEST. IT MAY BE SUBJECT TO CERTAIN          RESTRICTIONS UNDER APPLICABLE EXPORT CONTROL LAWS AND REGULATIONS.</small>		

TOLERANCES UNLESS OTHERWISE SPECIFIED:			
DEC.	INCH	mm	ANGLE
.X	±0.1	[±2.5]	±0.5°
.XX	±0.03	[±0.76]	
.XXX	±0.005	[±0.127]	
.XXXX	±0.0005	[±0.0127]	
REMOVE BURRS & BREAK SHARP EDGES: .003/.015 [0.076/.381] X 45°			
CORNER FILLETS: R.02 [51]			
MACHINED SURFACES: 125 INCH 3.2 mm			
mm SHOWN IN [BRACKETS]			

DRAWN BY LST	DATE 6/20/03
APPROVED BY RW	DATE 6/20/03
REFERENCE 032582	THIRD ANGLE PROJECTION

Regal Beloit America, Inc.	
DESCRIPTION OUTLINE 56Y FRAME DRIP PROOF-RIGID	
MATERIAL	PROCESS/FINISH
SIZE B	DRAWING NUMBER 028550
SHEET 1 OF 1	

VIEW FROM OUTSIDE OF MOTOR AT SWITCH END.



FOR C.C.W. ROTATION INTERCHANGE T5 AND T8.

				TOLERANCES UNLESS OTHERWISE SPECIFIED		<b>LEESON</b> ELECTRIC CORPORATION	
				DECIMALS			
				.00	± .01	DRAWN DL 11/11/88	TITLE EXTERNAL WIRING DIAGRAM W/BOARD TYPE "C" W/PROTECTOR
				.000	± .005	CH'K'D. RT 11/17/88	
02	REDRAWN ON CAD	DBT	06/04/97	.0000	± .0005	APPR. TEM 11/18/88	MAT'L. C.C.W. DECAL - 004098 C.W. DECAL - 080074
NO.	REVISION	BY	DATE	FRACTIONS	± 1/64	SCALE 1=1	
THIS DRAWING IN DESIGN AND DETAIL IS OUR PROPERTY AND MUST NOT BE USED EXCEPT IN CONNECTION WITH OUR WORK ALL RIGHTS OF DESIGN AND INVENTION ARE RESERVED				ANGLES	± 1/2"	REF. 0005262	FINISH
				INCH/MM		FMF 4C17DH92	

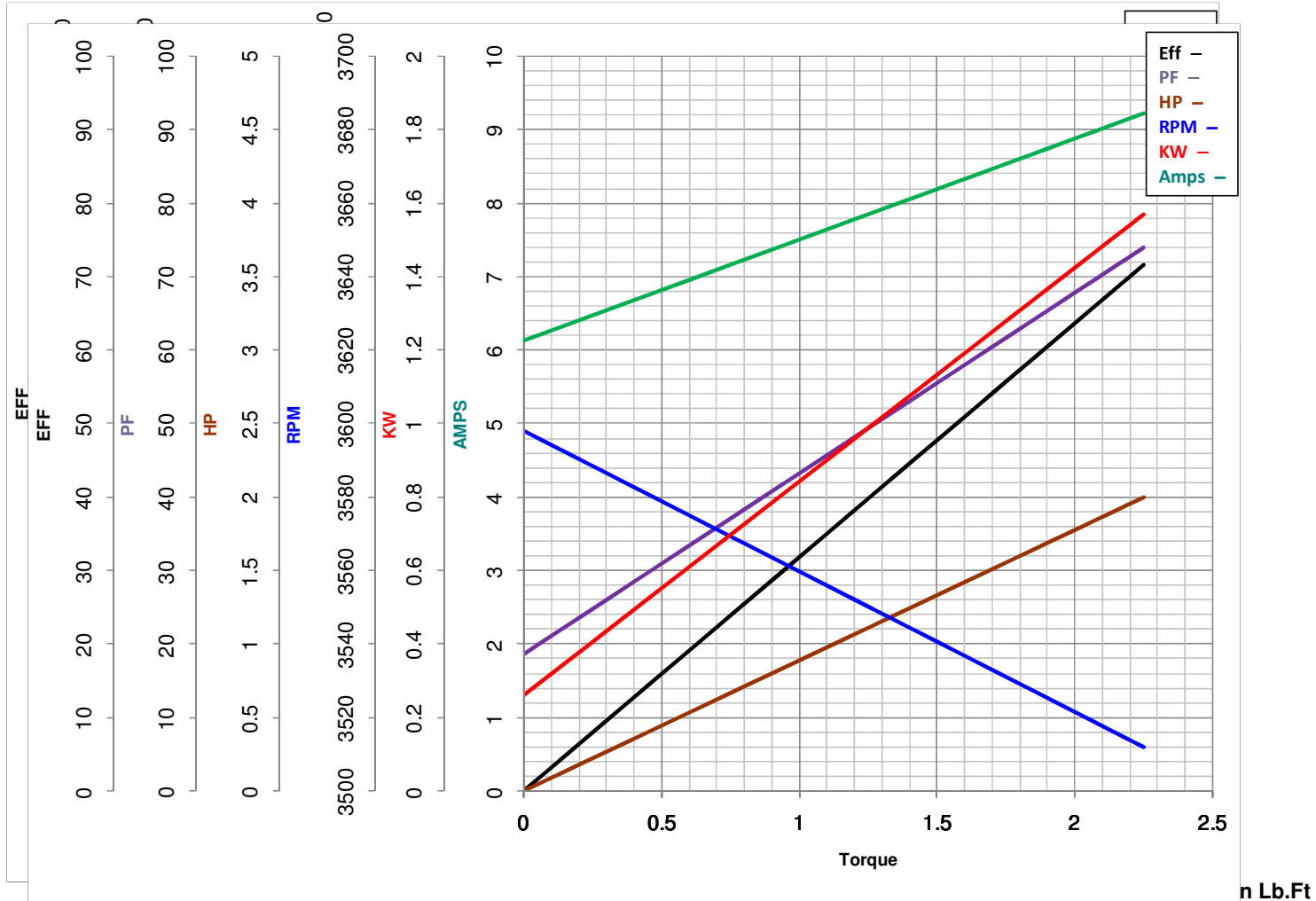


**LEESON ELECTRIC CORPORATION**  
 TYPICAL PERFORMANCE CURVE for AC MOTOR

Model No 110161.00

Catalog No 110161.00

Curve at 230 Volts      HP 1.50      PHASE 1  
60 HZ  
2 HP      VOLTS 115/230  
 HZ 60      RPM 3450



FL TORQUE 2.25 Lb.Ft  
 BD TORQUE 6.9 Lb.Ft  
 LR TORQUE 6.4 Lb.Ft

FL AMPS 20/10  
 PU TORQUE 6.2 Lb.Ft  
 LR AMPS 57

WINDING C632235-3

Date 3/22/2018