

# PRODUCT INFORMATION PACKET



Model No: M6C17FB8K

Catalog No: 110023.00

1HP..1725RPM.56.TEFC./V.1PH.60HZ.CONT.MANUAL.40C.1.15SF.RIGID.GENERAL  
PURPOSE.M6C17FB8K

Totally Enclosed Fan Cooled (TEFC)



Regal and Leeson are trademarks of Regal Beloit Corporation or one of its affiliated companies.

©2018 Regal Beloit Corporation, All Rights Reserved. MC017097E





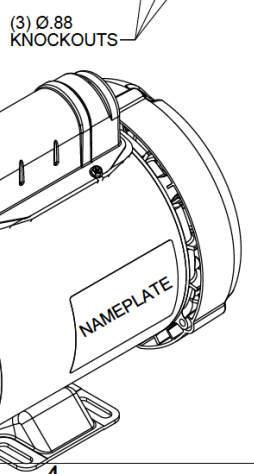
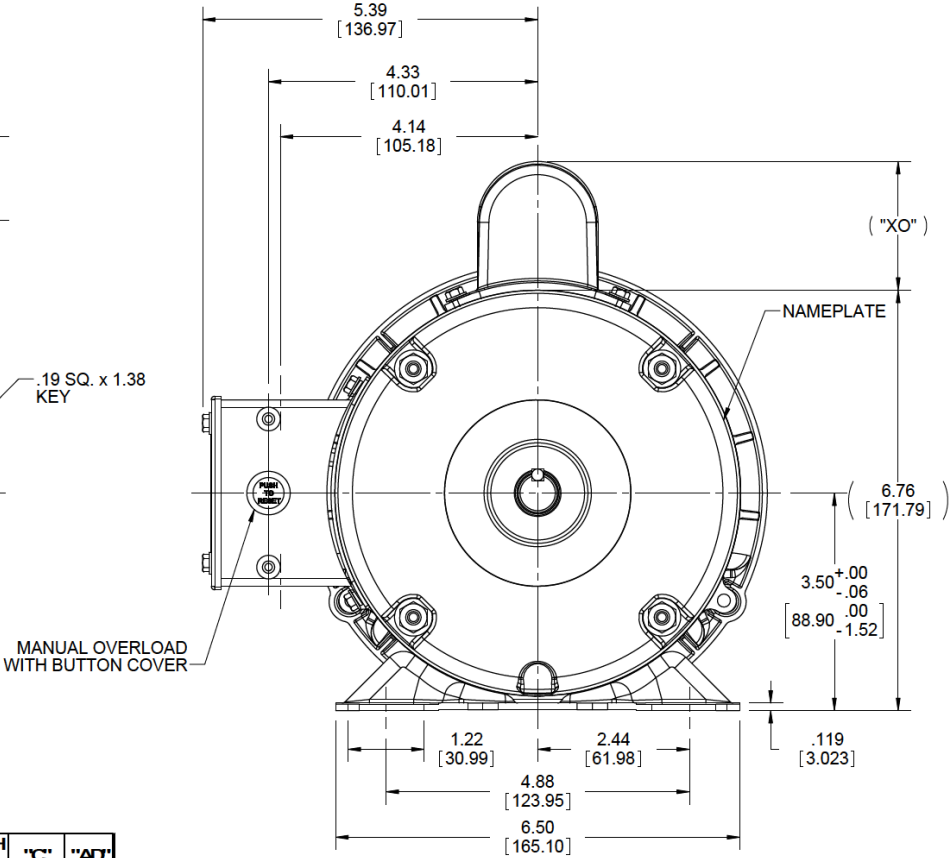
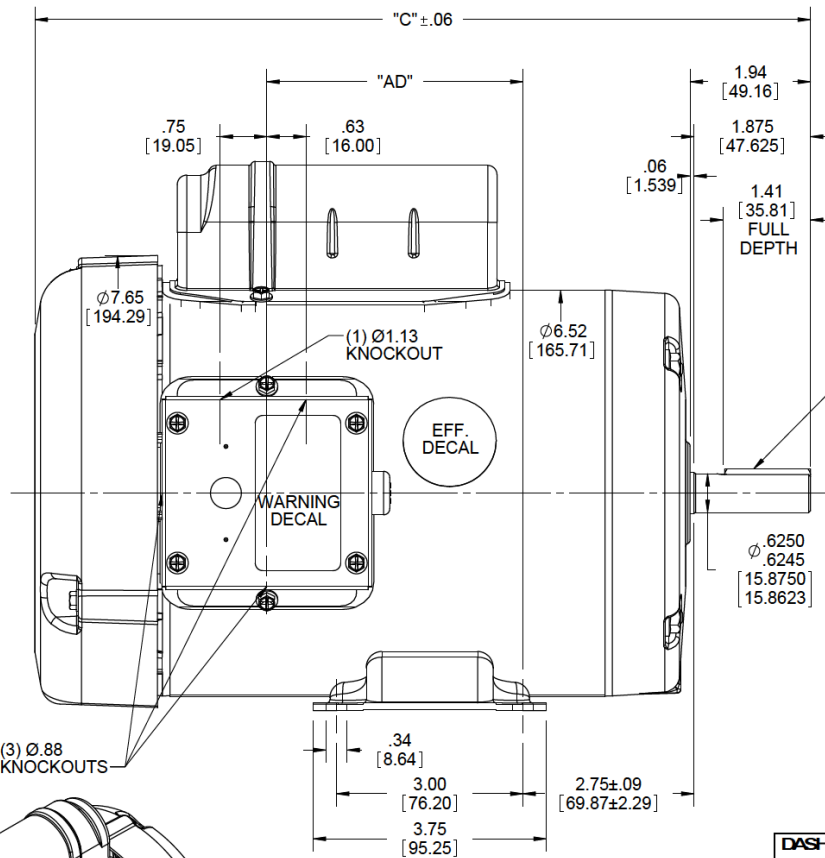
### Nameplate Specifications

Output HP	<b>1 Hp</b>	Output KW	<b>0.75 kW</b>
Frequency	<b>60 Hz</b>	Voltage	<b>115/208-230 V</b>
Current	<b>12.8/6.4 A</b>	Speed	<b>1725 rpm</b>
Service Factor	<b>1.15</b>	Phase	<b>1</b>
Efficiency	<b>75 %</b>	Duty	<b>Continuous</b>
Insulation Class	<b>B</b>	Design Code	<b>N</b>
KVA Code	<b>K</b>	Frame	<b>56</b>
Enclosure	<b>Totally Enclosed Fan Cooled</b>	Overload Protector	<b>Manual</b>
Ambient Temperature	<b>40 °C</b>	Drive End Bearing Size	<b>6203</b>
Opp Drive End Bearing Size	<b>6203</b>	UL	<b>Recognized</b>
CSA	<b>Y</b>	CE	<b>N</b>
IP Code	<b>43</b>		

### Technical Specifications

Electrical Type	<b>Capacitor Start Induction Run</b>	Starting Method	<b>Across The Line</b>
Poles	<b>4</b>	Rotation	<b>Selective Counterclockwise</b>
Mounting	<b>Rigid base</b>	Motor Orientation	<b>HORIZONTAL</b>
Drive End Bearing	<b>BALL</b>	Opp Drive End Bearing	<b>BALL</b>
Frame Material	<b>Rolled Steel</b>	Shaft Type	<b>NEMA 56</b>
Overall Length	<b>11.98 in</b>	Frame Length	<b>6.50 in</b>
Shaft Diameter	<b>0.625 in</b>	Shaft Extension	<b>1.88 in</b>
Assembly/Box Mounting	<b>F1 ONLY</b>		
Outline Drawing	<b>028793-650B</b>	Connection Diagram	<b>005003.03</b>

**This is an uncontrolled document once printed or downloaded and is subject to change without notice. Date Created: 10/15/2018**



DASH NO	"C"	"AD"	CAP	"XO"
500	10.48	2.13	DASH	1.61
550	10.98	2.63	A	2.08
600	11.48	3.13	B	2.32
650	11.98	3.63	C	
700	12.48	4.13		

NOTES:  
1) GASKETS THROUGHOUT

ORACLE REV	02
------------	----

DRAWING REVISION D	REVISION BY M. MCCALEB	DATE 8/4/14
ECO ECO-0056788	APPROVED BY G. SCHALLOCK	DATE 8/4/14
ECO DESCRIPTION ADDED T-BOLT NUTS		
<small>COPYRIGHT REGAL BELOIT AMERICA, INC. ALL RIGHTS RESERVED.          PROPRIETARY AND CONFIDENTIAL INFORMATION - THIS DOCUMENT IS THE PROPERTY OF REGAL BELOIT AMERICA, INC. (OWNER) AND CONTAINS OWNERS PROPRIETARY INFORMATION. ANY PERSON, CORPORATION OR OTHER FIRM RECEIVING IT IS DESIRED, BY RECEIVING IT, TO AGREE THAT IT, AND/OR ANY PART OF IT, SHALL NOT BE DISCLOSED TO ANY PERSON, CORPORATION OR OTHER ENTITY, DUPLICATED, AND/OR USED, EXCEPT AS EXPRESSLY APPROVED IN WRITING IN ADVANCE BY OWNER. THIS DOCUMENT SHALL BE RETURNED TO OWNER UPON REQUEST. IT MAY BE SUBJECT TO CERTAIN RESTRICTIONS UNDER APPLICABLE EXPORT CONTROL LAWS AND REGULATIONS.</small>		

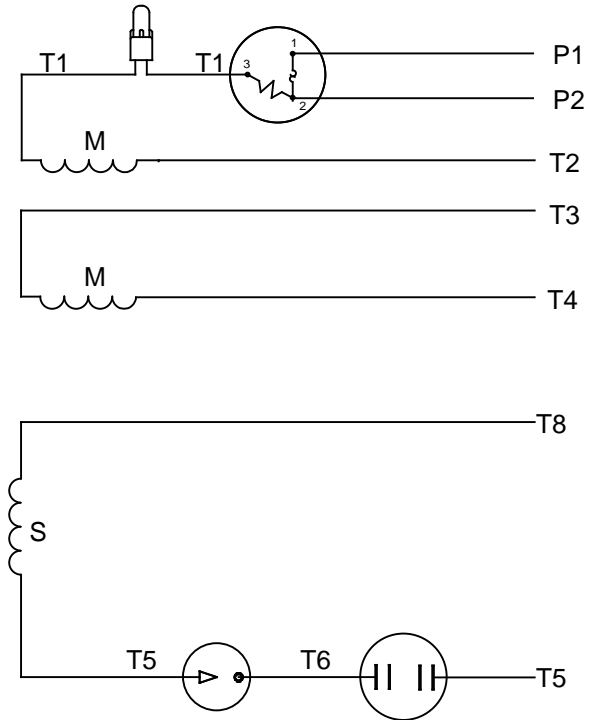
TOLERANCES UNLESS OTHERWISE SPECIFIED:			
DEC.	INCH	mm	ANGLE
X	+0.1	[±2.5]	±0.5°
XX	+0.03	[±0.76]	
XXX	+0.005	[±0.127]	
XXXX	+0.0005	[±0.0127]	
REMOVE BURRS & BREAK SHARP EDGES: .003/.015 [076/381] CORNER FILLETS: .02 [51] MACHINED SURFACES: 125/3.2 INCH/mm			
mm SHOWN IN [BRACKETS]			

DRAWN BY KMM 09/11/07	REGAL™ Regal Beloit America, Inc.	
DATE	DESCRIPTION <b>OUTLINE</b> TEFC - RIGID - 56 FRAME	
APPROVED BY	MATERIAL	PROCESS/FINISH GENERAL PURPOSE
DATE	REFERENCE	SIZE B DRAWING NUMBER <b>028793</b>
THIRD ANGLE PROJECTION		GENERAL PURPOSE SHEET 1 OF 1

### VIEW FROM OUTSIDE OF MOTOR AT SWITCH END



### LINE LEADS



RBC PROPRIETARY AND CONFIDENTIAL INFORMATION  
 This document is the property of REGAL BELOIT CORPORATION ("RBC") including its subsidiaries and divisions and contains proprietary information of RBC. This document is loaned on the express condition that neither it nor the information contained therein shall be disclosed to others without the express written consent of RBC, and that the information shall be used by the recipient only as approved expressly by RBC. This document shall be returned to RBC upon its request. This document may be subject to certain restrictions under U.S. export control laws and regulations.

	ROTATION FACING LEAD END	L1	L2	JOIN	INSULATE SEPARATELY
HIGH VOLT	C.C.W.	P1	T4 T5	T2,T3 T8	P2
	C.W.	P1	T4 T8	T2,T3 T5	P2
LOW VOLT	C.C.W.	P1	T2,T4 T5	P2,T3 T8	---
	C.W.	P1	T2,T4 T8	P2,T3 T5	---

		TOLERANCES UNLESS SPECIFIED		TITLE	DRAWN	CHK	APPR	
NO	REVISION	BY & DATE	CHK					DEC
				EXTERNAL WIRING DIAGRAM TYPE "C" W/PROTECTOR				
06	REDRAWN IN SOLIDWORKS	VJB 7/22/2011	.XXX	±.005				
05	REDRAWN ON CAD	DBT 05/27/97	.XXXX	±.0005	MAT'L DECAL - 004011			
			ANG	±1/2°	FINISH			
THIRD ANGLE PROJECTION				RFP	PREV	SIZE	DRAWING NO	REV
				NETWORK FILE NAME	00500303	A	005003-03	06



ELECTRIC MOTORS  
GEARMOTORS  
AND DRIVES

DRAWN WLV 08/20/79  
 CHK ADN 08/27/76  
 APPR WRK 08/27/76



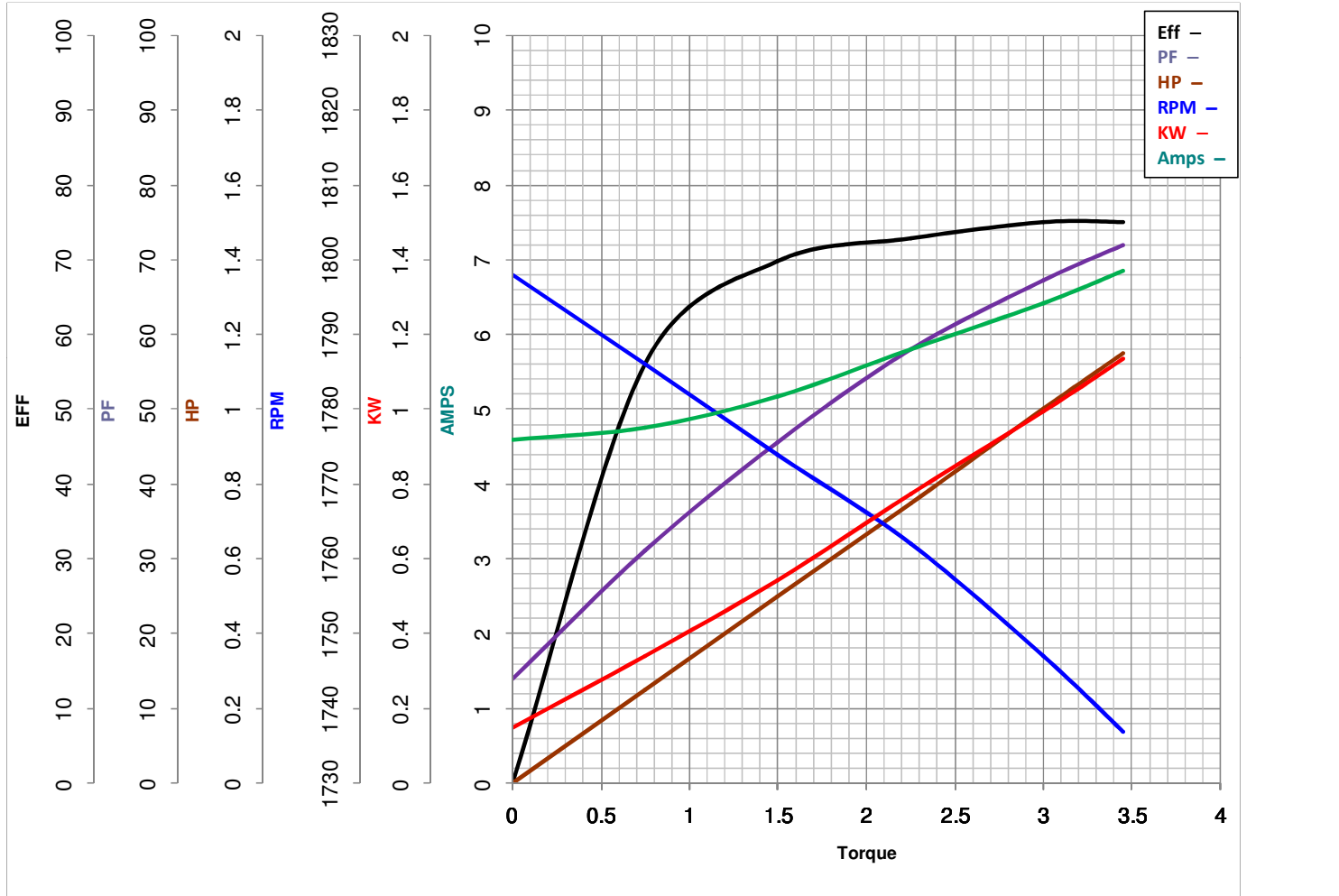
**LEESON ELECTRIC CORPORATION**  
 TYPICAL PERFORMANCE CURVE for AC MOTOR

Model No 110023.00

Curve at 230 Volts      HP 1.00      PHASE 1  
60 HZ  
1 HP      VOLTS 115/208-230

Catalog No 110023.00

HZ 60      RPM 1725



FL TORQUE	<u>3</u>	Lb.Ft	FL AMPS	<u>12.8/6.4</u>	
BD TORQUE	<u>7.0</u>	Lb.Ft	PU TORQUE	<u>6.7</u>	Lb.Ft
LR TORQUE	<u>9</u>	Lb.Ft	LR AMPS	<u>33</u>	
WINDING	C634256-3		Date	4/11/2018	