

PRODUCT INFORMATION PACKET



Model No: C6C17FB2K

Catalog No: 110013.00

3/4HP..1725RPM.56.TEFC./V.1PH.60HZ.CONT.NOT.40C.1.15SF.RIGID.GENERAL PURPOSE.C6C17FB2K
Totally Enclosed Fan Cooled (TEFC)



Regal and Leeson are trademarks of Regal Beloit Corporation or one of its affiliated companies.

©2018 Regal Beloit Corporation, All Rights Reserved. MC017097E





Nameplate Specifications

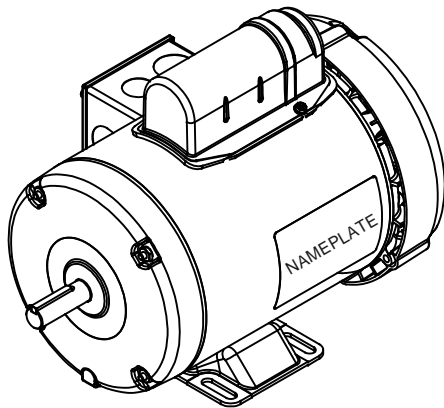
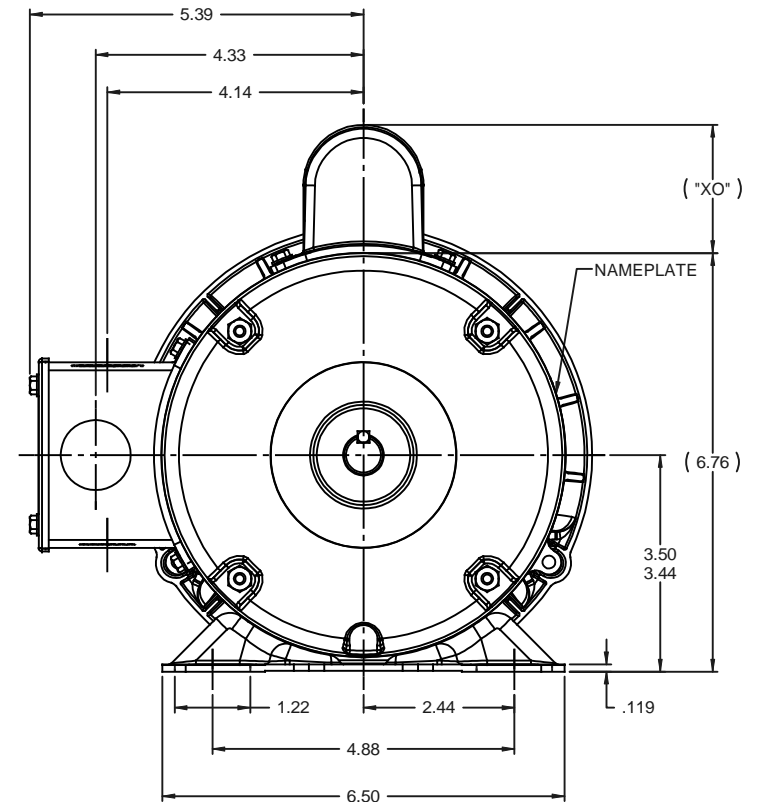
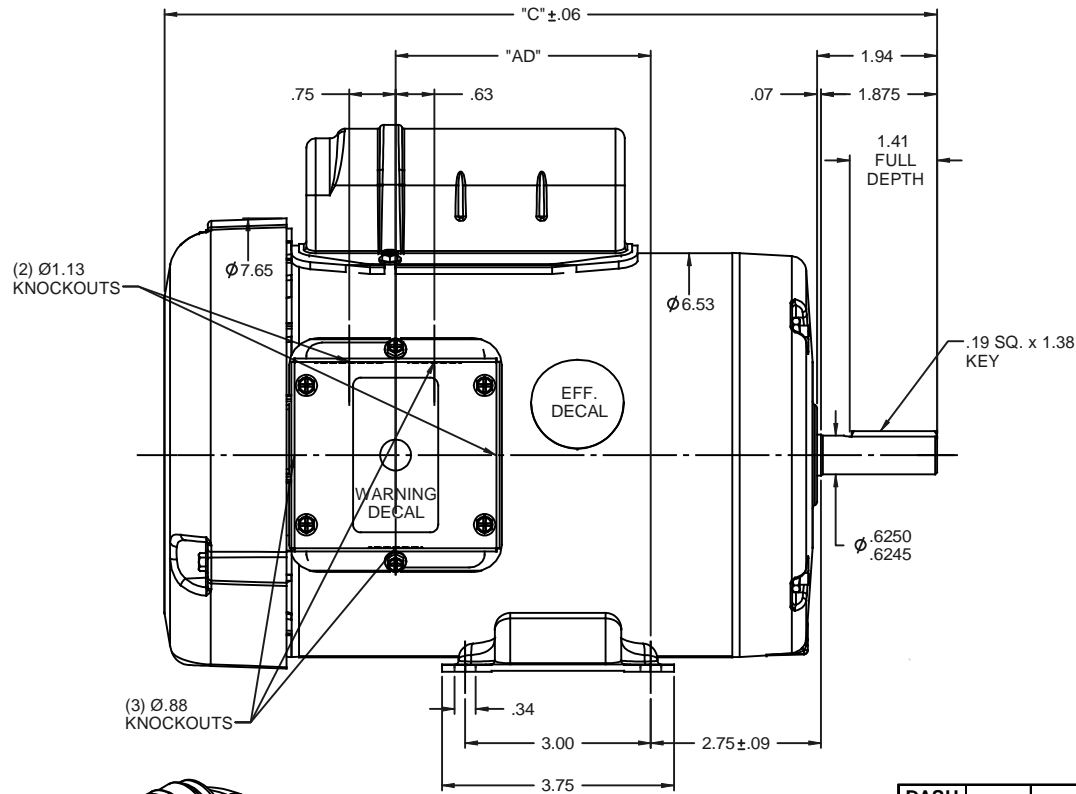
| | | | |
|----------------------------|------------------------------------|------------------------|----------------------|
| Output HP | 0.75 Hp | Output KW | 0.56 kW |
| Frequency | 60 Hz | Voltage | 115/208-230 V |
| Current | 10.8/5.4 A | Speed | 1725 rpm |
| Service Factor | 1.15 | Phase | 1 |
| Efficiency | 70 % | Duty | Continuous |
| Insulation Class | B | Design Code | N |
| KVA Code | L | Frame | 56 |
| Enclosure | Totally Enclosed Fan Cooled | Overload Protector | No |
| Ambient Temperature | 40 °C | Drive End Bearing Size | 6203 |
| Opp Drive End Bearing Size | 6203 | UL | Recognized |
| CSA | Y | CE | N |
| IP Code | 54 | | |

Technical Specifications

| | | | |
|-----------------------|--------------------------------------|-----------------------|-----------------------------------|
| Electrical Type | Capacitor Start Induction Run | Starting Method | Across The Line |
| Poles | 4 | Rotation | Selective Counterclockwise |
| Mounting | Rigid base | Motor Orientation | HORIZONTAL |
| Drive End Bearing | BALL | Opp Drive End Bearing | BALL |
| Frame Material | Rolled Steel | Shaft Type | NEMA 56 |
| Overall Length | 11.48 in | Frame Length | 6.00 in |
| Shaft Diameter | 0.625 in | Shaft Extension | 1.88 in |
| Assembly/Box Mounting | F1 ONLY | | |
| Outline Drawing | 028797-600B | Connection Diagram | 005005.01 |

This is an uncontrolled document once printed or downloaded and is subject to change without notice. Date Created: 10/15/2018

RBC PROPRIETARY AND CONFIDENTIAL INFORMATION
 This document is the property of REGAL BELOIT CORPORATION ("RBC") including its subsidiaries and divisions and contains proprietary information of RBC. This document is loaned on the express condition that neither it nor the information contained therein shall be disclosed to others without the express written consent of RBC, and that the information shall be used by the recipient only as approved expressly by RBC. This document shall be returned to RBC upon its request. This document may be subject to certain restrictions under U.S. export control laws and regulations.



| DASH NO. | "C" | "AD" | CAP DASH | "XO" |
|----------|-------|------|----------|------|
| 500 | 10.48 | 2.13 | | |
| 550 | 10.98 | 2.63 | | |
| 600 | 11.48 | 3.13 | A | 1.61 |
| 650 | 11.98 | 3.63 | B | 2.08 |
| 700 | 12.48 | 4.13 | C | 2.32 |
| 750 | 12.98 | 4.63 | | |

NOTES:
 1) GASKETS THROUGHOUT

| REVISION | | BY & DATE | CHK | ANG | FINISH | SCALE | PAGE | OF | REV | | | | | | | | | | | | | | |
|---|--|---------------|-----|-----|--------|------------------------------|--------------------|--------|---------|--|-----|-----|--|------|------|--|-------|------|--|--------|---|--|---|
| 01 | ADDED ISOMETRIC VIEW AS PER ISAAC #08-4017 | GRB/ 9/5/2008 | DJ | xxx | ±.0005 | MATL | 1 | 1 | 01 | | | | | | | | | | | | | | |
| <table border="0"> <tr> <td>TOLERANCES UNLESS SPECIFIED:</td> <td>DEC</td> <td>INCHES</td> </tr> <tr> <td>x</td> <td></td> <td>±.1</td> </tr> <tr> <td>.xx</td> <td></td> <td>±.03</td> </tr> <tr> <td>.xxx</td> <td></td> <td>±.005</td> </tr> <tr> <td>.xxx</td> <td></td> <td>±.0005</td> </tr> </table> | | | | | | TOLERANCES UNLESS SPECIFIED: | DEC | INCHES | x | | ±.1 | .xx | | ±.03 | .xxx | | ±.005 | .xxx | | ±.0005 | LEESON ELECTRIC MOTORS GEARMOTORS AND DRIVES | | DRAWN: KMM 09/18/07 CHK: APPR: REF: 028612 FMF: 110094.00 |
| TOLERANCES UNLESS SPECIFIED: | DEC | INCHES | | | | | | | | | | | | | | | | | | | | | |
| x | | ±.1 | | | | | | | | | | | | | | | | | | | | | |
| .xx | | ±.03 | | | | | | | | | | | | | | | | | | | | | |
| .xxx | | ±.005 | | | | | | | | | | | | | | | | | | | | | |
| .xxx | | ±.0005 | | | | | | | | | | | | | | | | | | | | | |
| TITLE: OUTLINE - 56 FRAME TEFC - RIGID FINISH: GENERAL PURPOSE | | | | | | SCALE: 1:2 | | | | | | | | | | | | | | | | | |
| RFP: NETWORK FILE NAME PREV: | | | | | | SIZE: B | DRAWING NO: 028797 | | REV: 01 | | | | | | | | | | | | | | |

VIEW FROM OUTSIDE OF MOTOR AT SWITCH END.



LINE LEADS



| | ROTATION FACING LEAD END | L1 | L2 | JOIN |
|--------------|--------------------------------|------------|------------|------------|
| HIGH VOLT | C.C.W. | T1 | T4, T5 | T2, T3, T8 |
| | C.W. | T1 | T4, T8 | T2, T3, T5 |
| LOW VOLT | C.C.W. | T1, T3, T8 | T2, T4, T5 | ----- |
| | C.W. | T1, T3, T5 | T2, T4, T8 | ----- |

RBC PROPRIETARY AND CONFIDENTIAL INFORMATION
 This document is the property of REGAL BELOIT CORPORATION ("RBC") including its subsidiaries and divisions and contains proprietary information of RBC. This document is loaned on the express condition that neither it nor the information contained therein shall be disclosed to others without the express written consent of RBC, and that the information shall be used by the recipient only as approved expressly by RBC. This document shall be returned to RBC upon its request. This document may be subject to certain restrictions under U.S. export control laws and regulations.

| | | | | | | | |
|------------------------|---|--------------|--------------------------------|--------------|---|---|--------------------|
| -- | REDRAWN IN SOLIDWORKS | VJB 02/16/11 | TOLERANCES UNLESS SPECIFIED | | | ELECTRIC MOTORS GEARMOTORS AND DRIVES | DRAWN ADH 08/06/73 |
| 27 | UPDATED TO CURRENT STANDARDS | DBT 05/27/97 | DEC | INCHES | | | CHK |
| 26 | ADDED PAGE 32 (114787) & PAGE 33 (114788) | KAZ 12/20/95 | PG | .X ±.1 | | | APPR JCW 03/09/79 |
| 25 | ADDED PAGE 31 | KAZ 04/19/95 | DL | .XX ±.01 | TITLE EXTERNAL WIRING DIAGRAM TYPE "C" W/O PROTECTOR | | SCALE 1:1 |
| 24 | ADDED PAGES 29 & 30 | KMM 03/30/95 | DL | .XXX ±.005 | MAT'L DECAL - 004012 | | REF FIG 2-23 C4A |
| 23 | ADDED PAGE 28 | KMM 01/27/95 | | .XXXX ±.0005 | FINISH | | FMF MGI-2.4B |
| NO | REVISION | BY & DATE | CHK | ANG ±1/2° | PAGE OF | | |
| THIRD ANGLE PROJECTION | | | RFP | PREV | SIZE | DRAWING NO | REV |
| | | | NETWORK FILE NAME 00500501 | | A | 005005-01 | -- |



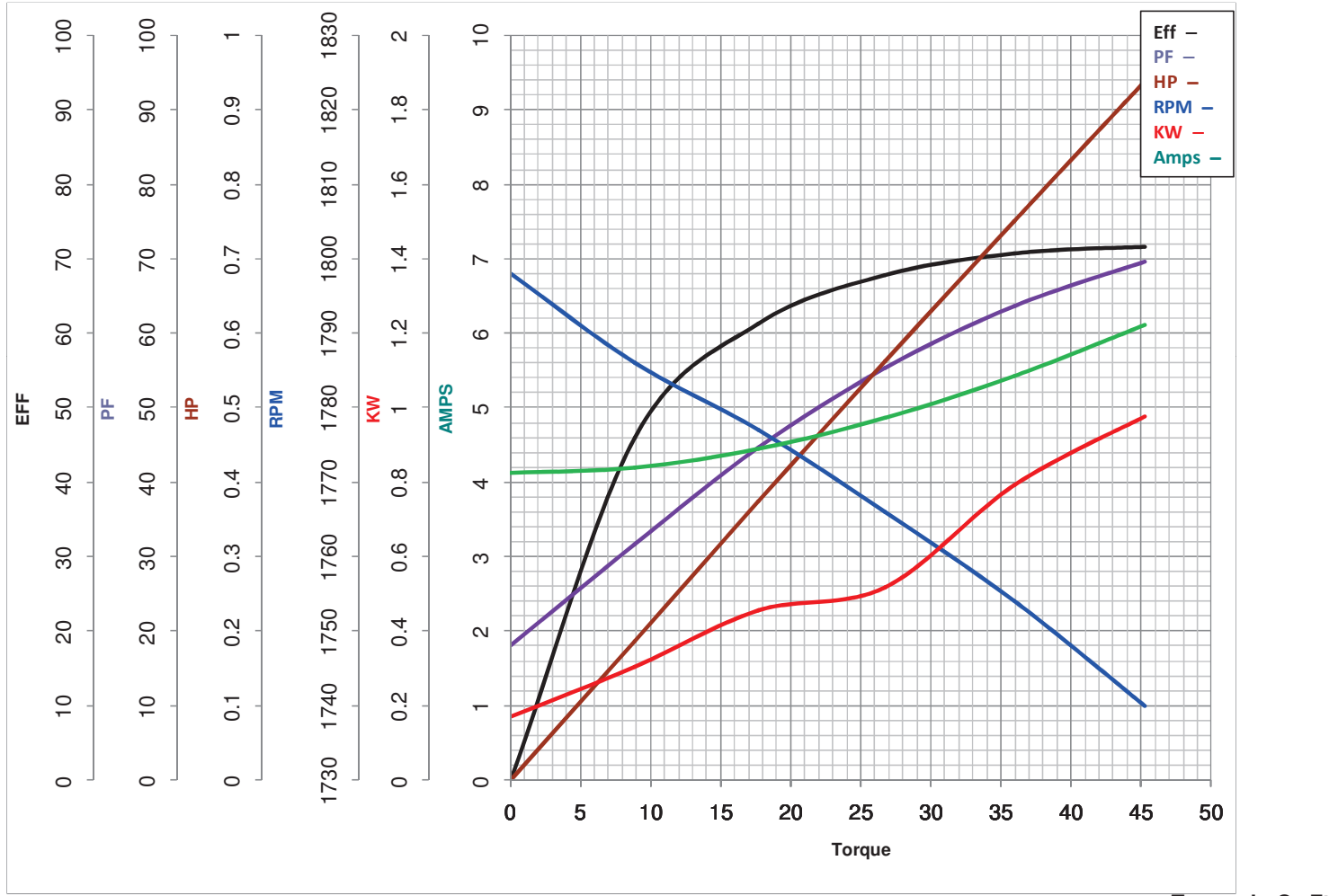
LEESON ELECTRIC CORPORATION
 TYPICAL PERFORMANCE CURVE for AC MOTOR

Model No 110013.00

Catalog No 110013.00

Curve at 230 Volts HP 0.75 PHASE 1
60 HZ
0.75 HP VOLTS 115/208-230

HZ 60 RPM 1725



Torque in Oz.Ft

FL TORQUE 35.94 Oz.Ft
 BD TORQUE 98.5 Oz.Ft
 LR TORQUE 114.5 Oz.Ft

FL AMPS 10.8/5.4
 PU TORQUE 84.2 Oz.Ft
 LR AMPS 30.1

WINDING C634258-3

Date 4/23/2018

Uncontrolled Copy