

# PRODUCT INFORMATION PACKET



Model No: C4D18WK14A

Catalog No: 109301.00

3/4HP.1800RPM.S56C.TEFC.24VDC.CONT.40C.1.0SF.RIGID C.DC NEMA LOW VOLTAGE.C4D18WK14  
WASHDOWN DUTY

Low Voltage



Regal and Leeson are trademarks of Regal Beloit Corporation or one of its affiliated companies.

©2018 Regal Beloit Corporation, All Rights Reserved. MC017097E





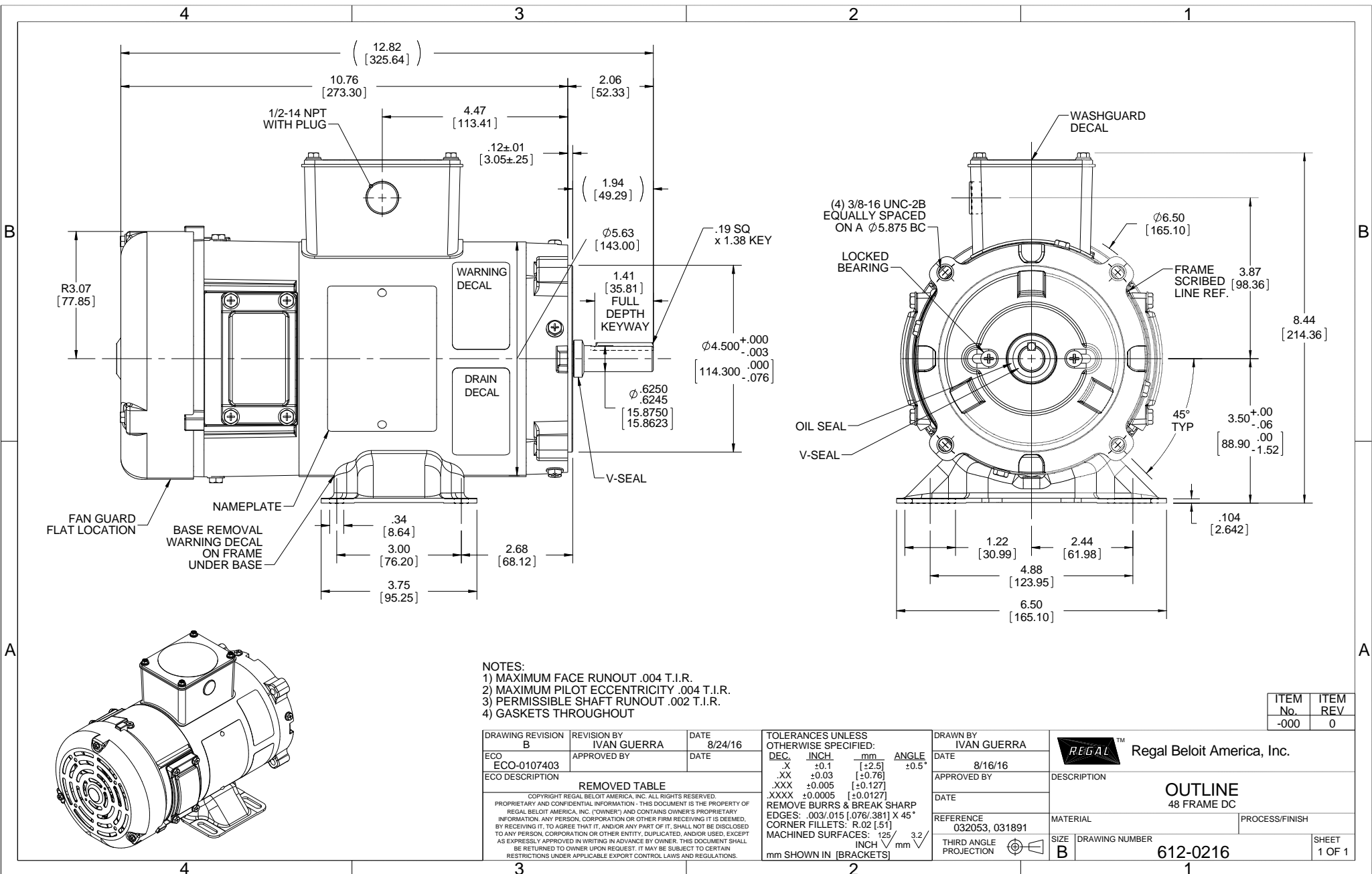
### Nameplate Specifications

Output HP	0.75 Hp	Output KW	0.56 kW
Voltage	24 V	Current	29.0 A
Speed	1800 rpm	Service Factor	1
Efficiency	77 %	Duty	Continuous
Insulation Class	F	Frame	S56C
Enclosure	Totally Enclosed Fan Cooled	Overload Protector	No
Ambient Temperature	40 °C	Drive End Bearing Size	6203
Opp Drive End Bearing Size	6203	UL	Recognized
CSA	Y	CE	N

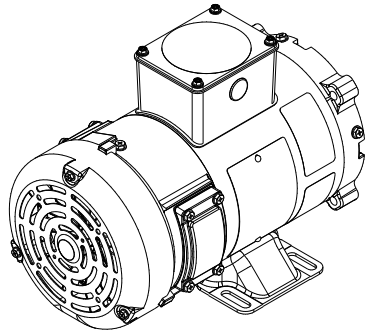
### Technical Specifications

Rotation	Reversible	Mounting	Rigid C base
Overall Length	12.82 in	Frame Length	5.47 in
Shaft Diameter	0.625 in	Shaft Extension	2.06 in
Outline Drawing	612-0216-000		

This is an uncontrolled document once printed or downloaded and is subject to change without notice. Date Created: 10/15/2018



- NOTES:  
 1) MAXIMUM FACE RUNOUT .004 T.I.R.  
 2) MAXIMUM PILOT ECCENTRICITY .004 T.I.R.  
 3) PERMISSIBLE SHAFT RUNOUT .002 T.I.R.  
 4) GASKETS THROUGHOUT



DRAWING REVISION B		REVISION BY IVAN GUERRA	DATE 8/24/16	TOLERANCES UNLESS OTHERWISE SPECIFIED:		DRAWN BY IVAN GUERRA		REGAL™ Regal Beloit America, Inc.	
ECO ECO-0107403		APPROVED BY	DATE	DEC.	INCH	mm	ANGLE ±0.5°	DATE 8/16/16	DESCRIPTION <b>OUTLINE</b> 48 FRAME DC
ECO DESCRIPTION REMOVED TABLE				.X	±0.1	[±2.5]		APPROVED BY	
COPYRIGHT REGAL BELOIT AMERICA, INC. ALL RIGHTS RESERVED. PROPRIETARY AND CONFIDENTIAL INFORMATION - THIS DOCUMENT IS THE PROPERTY OF REGAL BELOIT AMERICA, INC. ('OWNER') AND CONTAINS OWNER'S PROPRIETARY INFORMATION. ANY PERSON, CORPORATION OR OTHER FIRM RECEIVING IT IS DEEMED, BY RECEIVING IT, TO AGREE THAT IT, AND/OR ANY PART OF IT, SHALL NOT BE DISCLOSED TO ANY PERSON, CORPORATION OR OTHER ENTITY, DUPLICATED, AND/OR USED, EXCEPT AS EXPRESSLY APPROVED IN WRITING IN ADVANCE BY OWNER. THIS DOCUMENT SHALL BE RETURNED TO OWNER UPON REQUEST. IT MAY BE SUBJECT TO CERTAIN RESTRICTIONS UNDER APPLICABLE EXPORT CONTROL LAWS AND REGULATIONS.				.XX	±0.03	[±0.76]		DATE	MATERIAL
				.XXX	±0.005	[±0.127]		REFERENCE 032053, 031891	PROCESS/FINISH
				.XXXX	±0.0005	[±0.0127]		THIRD ANGLE PROJECTION	SIZE B
				REMOVE BURRS & BREAK SHARP EDGES: .003/.015 [0.076/.381] X 45° CORNER FILLETS: R.02 [51]				DRAWING NUMBER 612-0216	SHEET 1 OF 1
				MACHINED SURFACES: 125/3.2 INCH/mm					