

# PRODUCT INFORMATION PACKET



Model No: C4D18FK8A

Catalog No: 109108.00

2HP.1800RPM.ZLS56CZ.TEFC.48V.CONT.40C.1.0SF.RIGID C.DC NEMA LOW VOLTAGE.C4D18FK8A  
Low Voltage



Regal and Leeson are trademarks of Regal Beloit Corporation or one of its affiliated companies.

©2018 Regal Beloit Corporation, All Rights Reserved. MC017097E





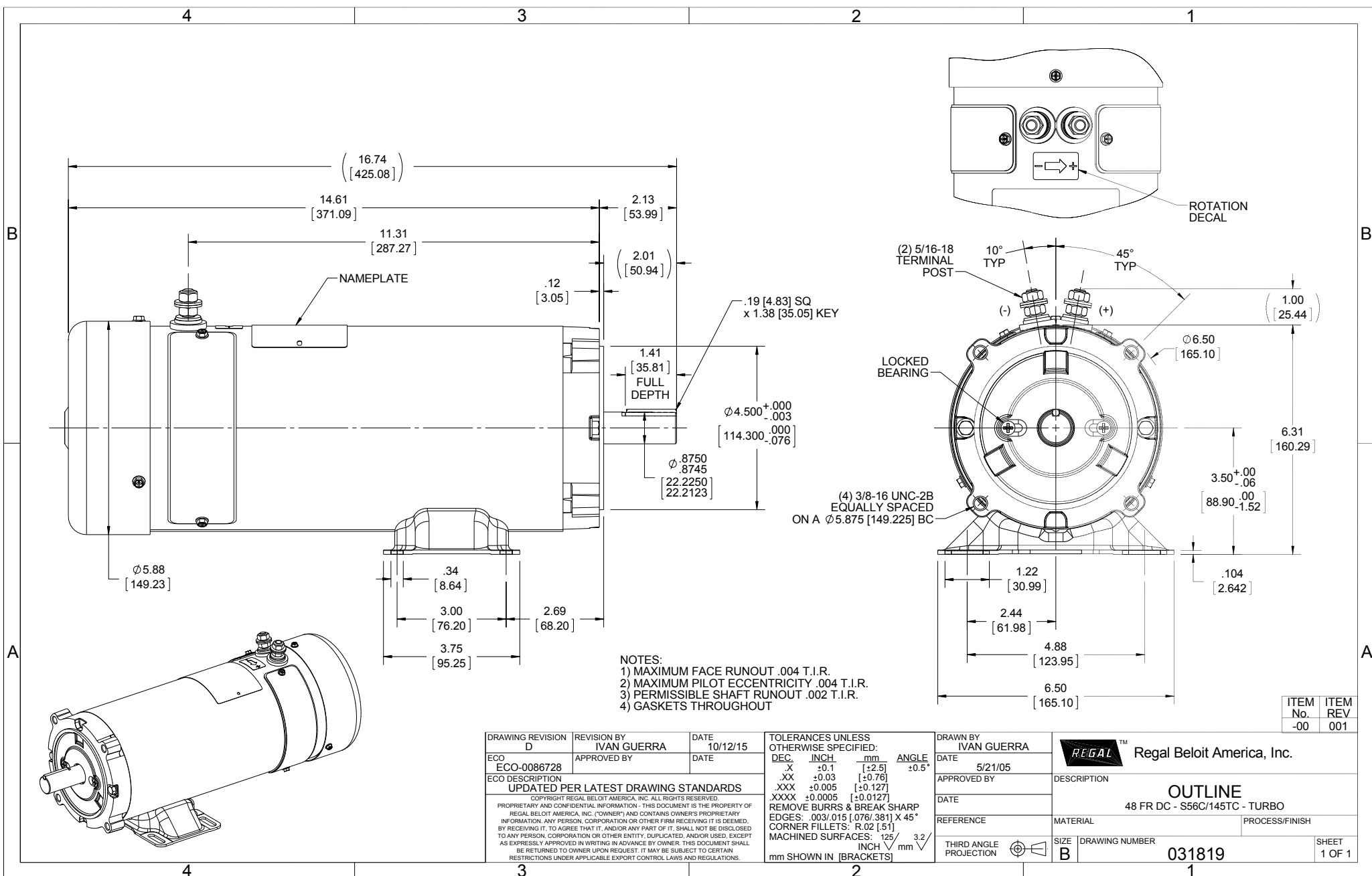
### Nameplate Specifications

Output HP	2 Hp	Output KW	1.5 kW
Voltage	48 V	Current	38.0 A
Speed	1800 rpm	Service Factor	1
Efficiency	82.1 %	Duty	Continuous
Insulation Class	F	Frame	ZLS56CZ
Enclosure	Totally Enclosed Fan Cooled	Overload Protector	No
Ambient Temperature	40 °C	Drive End Bearing Size	6205
Opp Drive End Bearing Size	6203	UL	Recognized
CSA	Y	CE	N

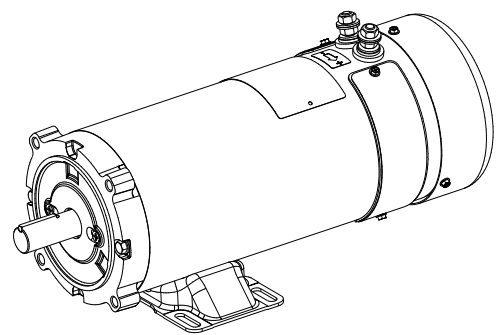
### Technical Specifications

Rotation	Reversible	Mounting	Rigid C base
Overall Length	16.74 in	Frame Length	11.50 in
Shaft Diameter	0.625 in	Shaft Extension	2.13 in
Outline Drawing	031819		

This is an uncontrolled document once printed or downloaded and is subject to change without notice. Date Created: 10/15/2018



- NOTES:  
 1) MAXIMUM FACE RUNOUT .004 T.I.R.  
 2) MAXIMUM PILOT ECCENTRICITY .004 T.I.R.  
 3) PERMISSIBLE SHAFT RUNOUT .002 T.I.R.  
 4) GASKETS THROUGHOUT



DRAWING REVISION <b>D</b>		REVISION BY <b>IVAN GUERRA</b>	DATE <b>10/12/15</b>	TOLERANCES UNLESS OTHERWISE SPECIFIED:		DRAWN BY <b>IVAN GUERRA</b>	Regal Beloit America, Inc.
ECO-0086728		APPROVED BY	DATE	DEC.	INCH	mm	
ECO DESCRIPTION <b>UPDATED PER LATEST DRAWING STANDARDS</b>				.X	±0.1	[±2.5]	APPROVED BY
<small>COPYRIGHT REGAL BELOIT AMERICA, INC. ALL RIGHTS RESERVED                  PROPRIETARY AND CONFIDENTIAL INFORMATION - THIS DOCUMENT IS THE PROPERTY OF REGAL BELOIT AMERICA, INC. ("OWNER") AND CONTAINS OWNER'S PROPRIETARY INFORMATION. ANY PERSON, CORPORATION OR OTHER FIRM RECEIVING IT IS DEEMED, BY RECEIVING IT, TO AGREE THAT IT, AND/OR ANY PART OF IT, SHALL NOT BE DISCLOSED TO ANY PERSON, CORPORATION OR OTHER ENTITY, DUPLICATED, AND/OR USED, EXCEPT AS EXPRESSLY APPROVED IN WRITING IN ADVANCE BY OWNER. THIS DOCUMENT SHALL BE RETURNED TO OWNER UPON REQUEST. IT MAY BE SUBJECT TO CERTAIN RESTRICTIONS UNDER APPLICABLE EXPORT CONTROL LAWS AND REGULATIONS.</small>				.XX	±0.03	[±0.76]	DATE
				.XXX	±0.005	[±0.127]	REFERENCE
				.XXXX	±0.0005	[±0.0127]	MATERIAL
				REMOVE BURRS & BREAK SHARP		EDGES: .003/.015 [0.076/.381] X 45°	DESCRIPTION <b>OUTLINE</b> 48 FR DC - S56C/145TC - TURBO
				CORNER FILLETS: R.02 [51]		MACHINED SURFACES: 125/3.2	PROCESS/FINISH
				mm SHOWN IN [BRACKETS]		INCH	SIZE <b>B</b>
				THIRD ANGLE PROJECTION		DRAWING NUMBER <b>031819</b>	SHEET <b>1 OF 1</b>