

PRODUCT INFORMATION PACKET



Model No: C4D18FK6A

Catalog No: 109106.00

2HP.1800RPM.ZLS56CZ.TEFC.24V.CONT.40C.1.0SF.RIGID C.DC NEMA LOW VOLTAGE.C4D18FK6A
Low Voltage



Regal and Leeson are trademarks of Regal Beloit Corporation or one of its affiliated companies.

©2018 Regal Beloit Corporation, All Rights Reserved. MC017097E





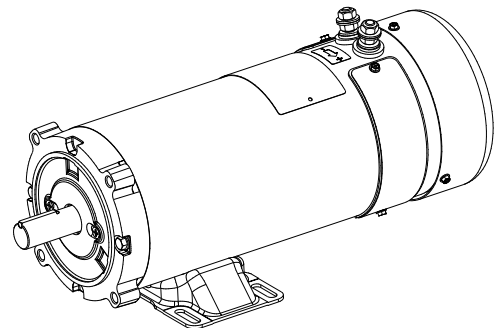
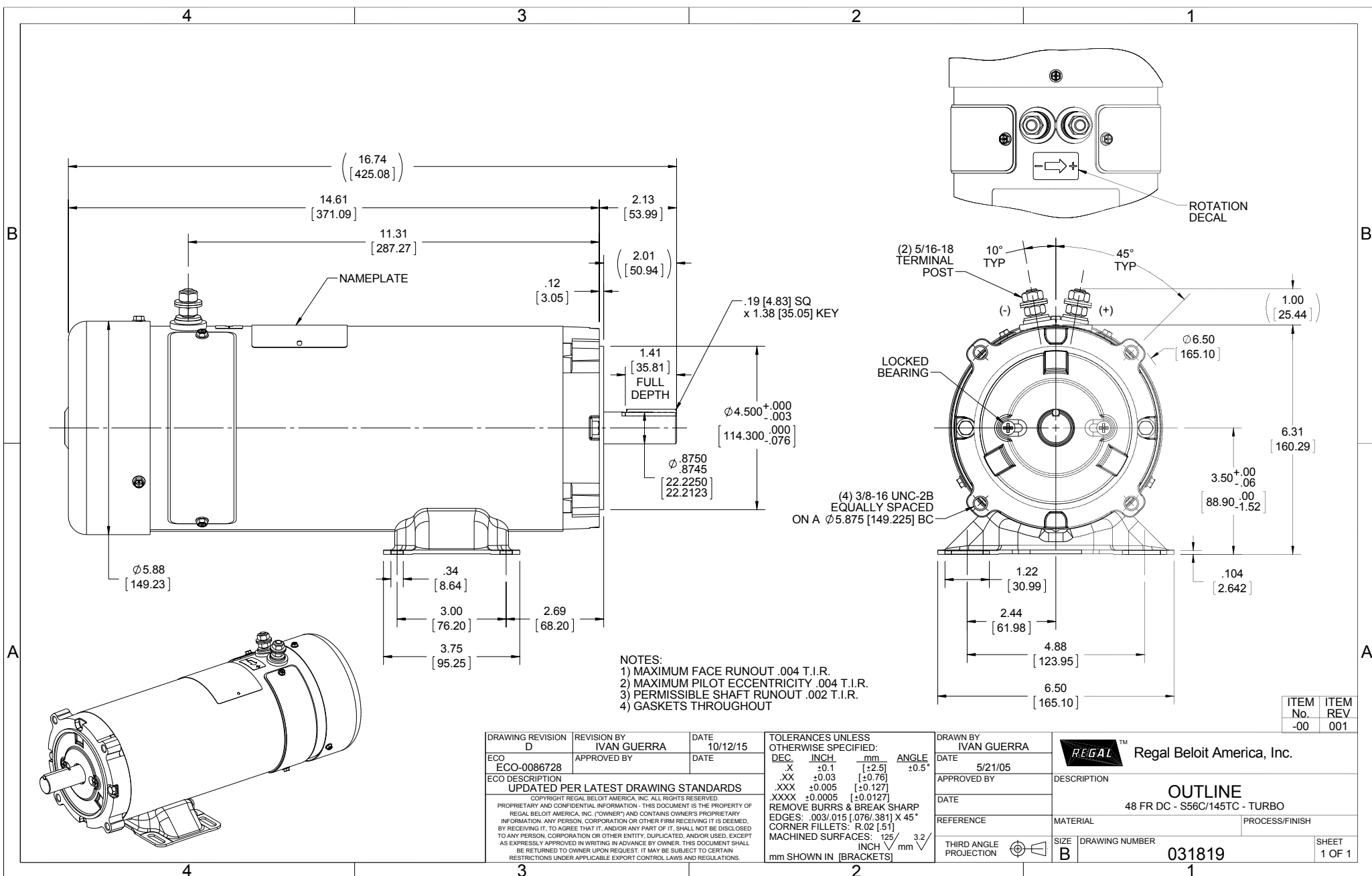
Nameplate Specifications

Output HP	2 Hp	Output KW	1.5 kW
Voltage	24 V	Current	70.0 A
Speed	1800 rpm	Service Factor	1
Efficiency	85.8 %	Duty	Continuous
Insulation Class	F	Frame	ZLS56CZ
Enclosure	Totally Enclosed Fan Cooled	Overload Protector	No
Ambient Temperature	40 °C	Drive End Bearing Size	6205
Opp Drive End Bearing Size	6203	UL	Recognized
CSA	Y	CE	N

Technical Specifications

Rotation	Reversible	Mounting	Rigid C base
Overall Length	16.74 in	Frame Length	11.50 in
Shaft Diameter	0.625 in	Shaft Extension	2.13 in
Outline Drawing	031819		

This is an uncontrolled document once printed or downloaded and is subject to change without notice. Date Created: 10/15/2018



DRAWING REVISION D	REVISION BY IVAN GUERRA	DATE 10/12/15
ECO ECO-0086728	APPROVED BY	DATE
ECO DESCRIPTION UPDATED PER LATEST DRAWING STANDARDS		
<small>COPYRIGHT REGAL BELOIT AMERICA, INC. ALL RIGHTS RESERVED. PROPRIETARY AND CONFIDENTIAL INFORMATION - THIS DOCUMENT IS THE PROPERTY OF REGAL BELOIT AMERICA, INC. ("OWNER") AND CONTAINS OWNER'S PROPRIETARY INFORMATION. ANY PERSON, CORPORATION OR OTHER FIRM RECEIVING IT IS DEEMED, BY RECEIVING IT, TO AGREE THAT IT, AND/OR ANY PART OF IT, SHALL NOT BE DISCLOSED TO ANY PERSON, CORPORATION OR OTHER ENTITY, DUPLICATED, AND/OR USED, EXCEPT AS EXPRESSLY APPROVED IN WRITING IN ADVANCE BY OWNER. THIS DOCUMENT SHALL BE RETURNED TO OWNER UPON REQUEST. IT MAY BE SUBJECT TO CERTAIN RESTRICTIONS UNDER APPLICABLE EXPORT CONTROL LAWS AND REGULATIONS.</small>		

TOLERANCES UNLESS OTHERWISE SPECIFIED:			
DEC.	INCH	mm	ANGLE
X	+0.1	[+2.5]	$\pm 0.5^\circ$
.XX	± 0.03	[+0.76]	
.XXX	± 0.005	[+0.127]	
.XXXX	± 0.0005	[+0.0127]	
REMOVE BURRS & BREAK SHARP			
EDGES: .003/.015 [0.076/.381] X 45°			
CORNER FILLETS: R.02 [51]			
MACHINED SURFACES: $\frac{125}{\sqrt{\text{INCH}}}$ $\frac{3.2}{\sqrt{\text{mm}}}$			
mm SHOWN IN [BRACKETS]			

DRAWN BY IVAN GUERRA
DATE 5/21/05
APPROVED BY
DATE
REFERENCE
THIRD ANGLE PROJECTION

Regal Beloit America, Inc.	
DESCRIPTION OUTLINE 48 FR DC - S56C/145TC - TURBO	
MATERIAL	PROCESS/FINISH
SIZE B	DRAWING NUMBER 031819
ITEM No. -00	ITEM REV 001
SHEET 1 OF 1	