

PRODUCT INFORMATION PACKET



Model No: C4D18FK5B

Catalog No: 109105.00

1 1/2HP.1800RPM.S56CZ.TEFC.48V.CONT.40C.1.0SF.RIGID C.DC NEMA LOW VOLTAGE.C4D18FK5B
Low Voltage



Regal and Leeson are trademarks of Regal Beloit Corporation or one of its affiliated companies.

©2018 Regal Beloit Corporation, All Rights Reserved. MC017097E





Nameplate Specifications

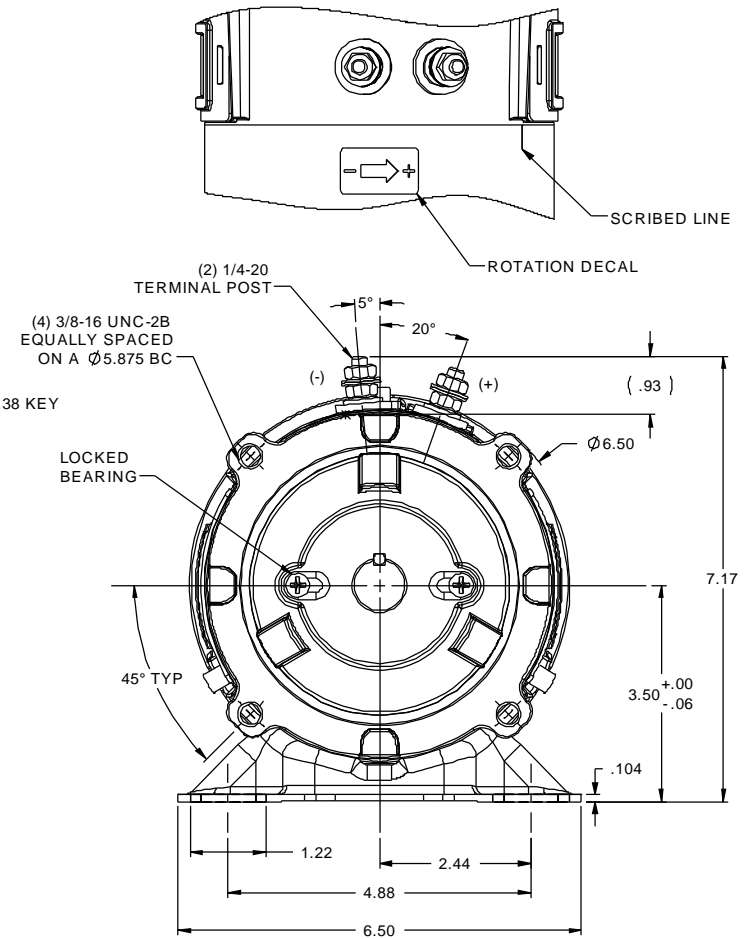
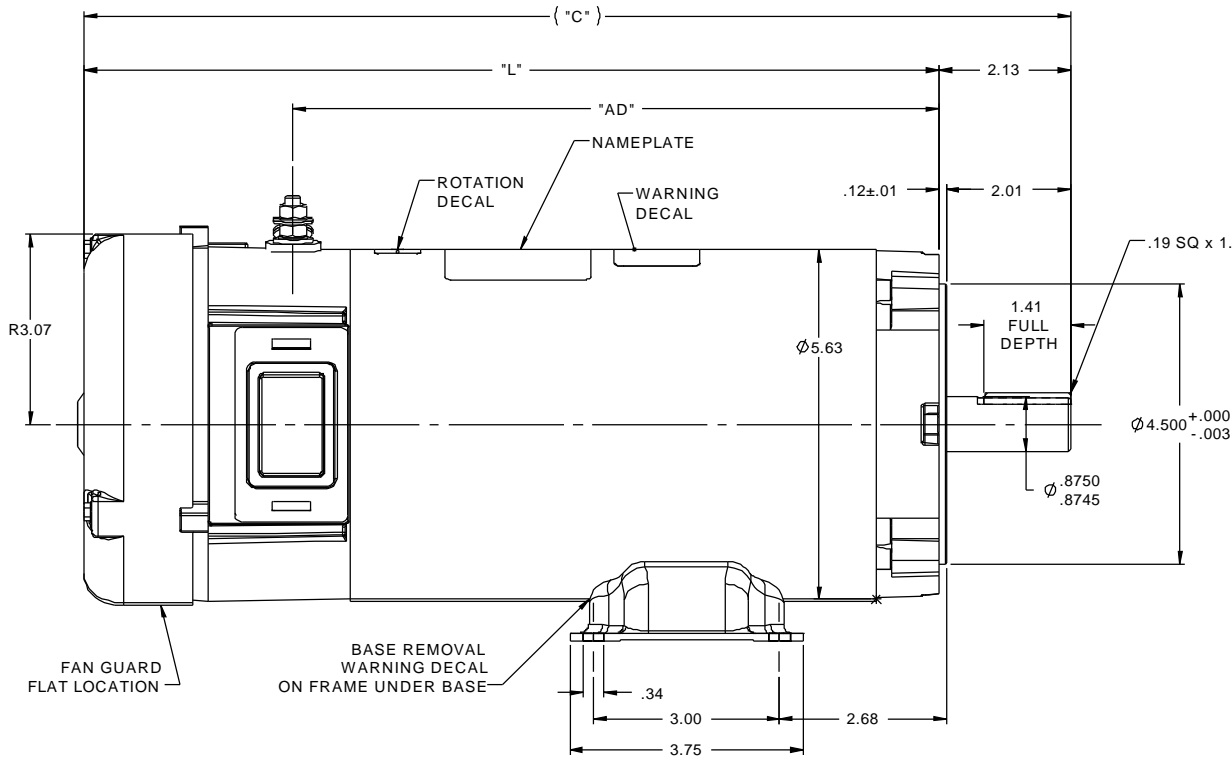
Output HP	1.50 Hp	Output KW	1.1 kW
Voltage	48 V	Current	27.0 A
Speed	1800 rpm	Service Factor	1
Efficiency	81.4 %	Duty	Continuous
Insulation Class	H	Frame	S56CZ
Enclosure	Totally Enclosed Fan Cooled	Overload Protector	No
Ambient Temperature	40 °C	Drive End Bearing Size	6205
Opp Drive End Bearing Size	6203	UL	Recognized
CSA	Y	CE	N

Technical Specifications

Rotation	Reversible	Mounting	Rigid C base
Overall Length	15.89 in	Frame Length	8.47 in
Shaft Diameter	0.875 in	Shaft Extension	2.13 in
Outline Drawing	031935-109105		

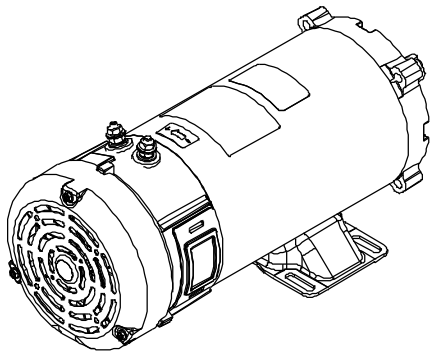
This is an uncontrolled document once printed or downloaded and is subject to change without notice. Date Created: 10/15/2018

RBC PROPRIETARY AND CONFIDENTIAL INFORMATION
 This document is the property of REGAL BELOIT CORPORATION ("RBC") including its subsidiaries and divisions and contains proprietary information of RBC. This document is loaned on the express condition that neither it nor the information contained therein shall be disclosed to others without the express written consent of RBC, and that the information shall be used by the recipient only as approved expressly by RBC. This document shall be returned to RBC upon its request. This document may be subject to certain restrictions under U.S. export control laws and regulations.



- NOTES:
 1) MAXIMUM FACE RUNOUT .004 T.I.R.
 2) MAXIMUM PILOT ECCENTRICITY .004 T.I.R.
 3) PERMISSIBLE SHAFT RUNOUT .002 T.I.R.
 4) GASKETS THROUGHOUT.

CATALOG No.	"C"	"L"	"AD"	VOLTS	H.P.	RPM
109105.00	15.89	13.76	10.40	48	1 1/2	1800
109104.00	15.89	13.76	10.40	36	1 1/2	1800



REVISION		BY & DATE	CHK LANG	FINISH	PREV	SIZE	DRAWING NO	REV
02	ADDED NOTE PER PFG REQUEST	JJM 10/18/2013	X ±.1			B	031935	02
01	ADDED NOTE ABOUT FAN GUARD FLAT LOCATION, ISAAC 09-4813	IPG 12/10/2009	XX ±.03 XXX ±.005		TITLE OUTLINE 48 FRAME DC			
	RELEASED	RWS 4/6/2009	BC XXXX ±.0005	MAT'L				
			±1/2°					



ELECTRIC MOTORS
GEAR MOTORS
AND DRIVES

DRAWN RWS 4/6/09
CHK BC 4/6/09
APPR

SCALE 1:2
REF 031886
FMF 109104.75

PAGE OF



NETWORK FILE NAME 031935