

# PRODUCT INFORMATION PACKET



Model No: C4D18FK3A

Catalog No: 109103.00

1 1/2HP.1800RPM.WMS56CZ.TEFC.24V.CONT.40C.1.0SF.RIGID C.DC NEMA LOW  
VOLTAGE.C4D18FK3A

Low Voltage



Regal and Leeson are trademarks of Regal Beloit Corporation or one of its affiliated companies.

©2018 Regal Beloit Corporation, All Rights Reserved. MC017097E





### Nameplate Specifications

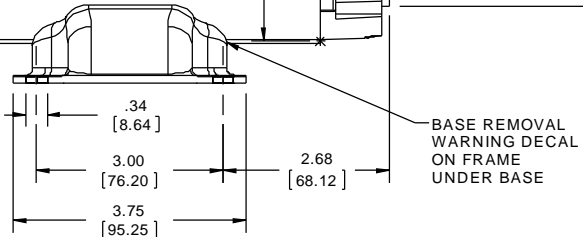
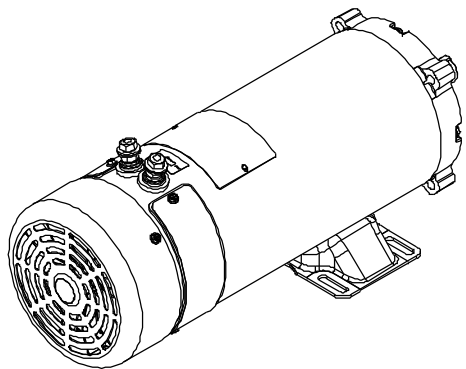
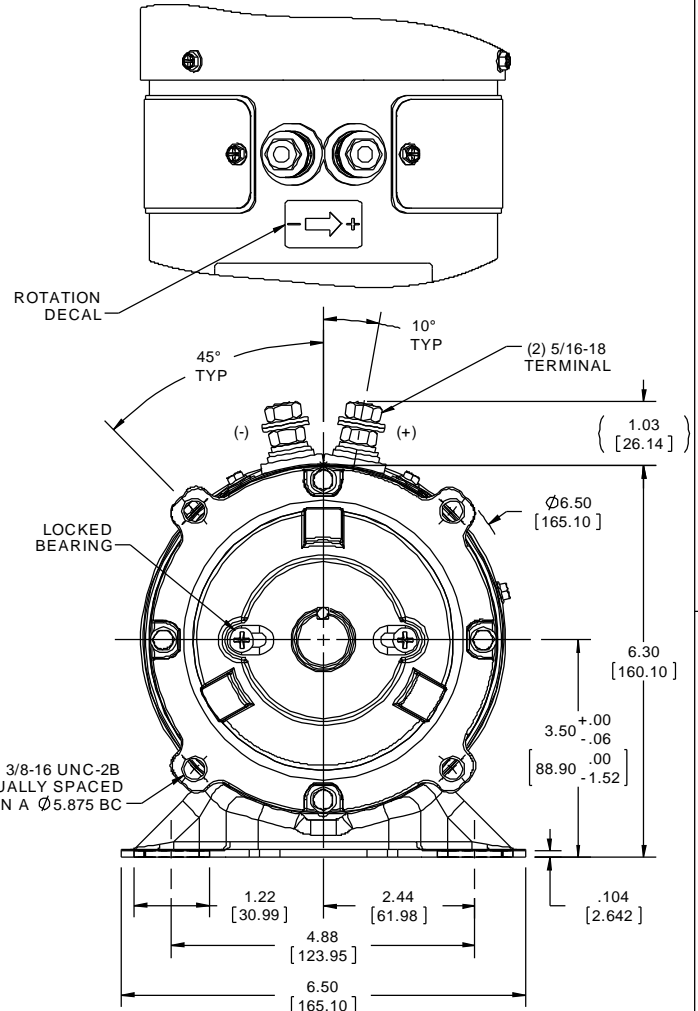
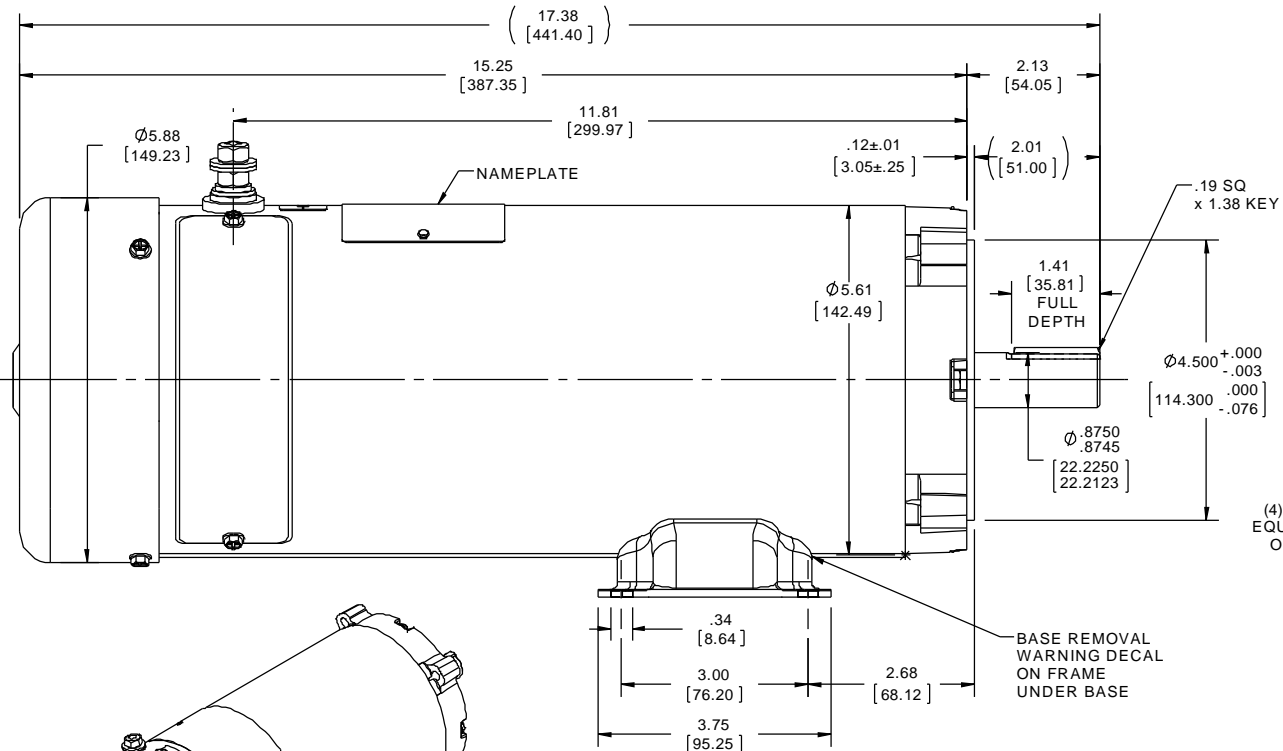
|                            |                             |                        |            |
|----------------------------|-----------------------------|------------------------|------------|
| Output HP                  | 1.50 Hp                     | Output KW              | 1.1 kW     |
| Voltage                    | 24 V                        | Current                | 60.0 A     |
| Speed                      | 1800 rpm                    | Service Factor         | 1          |
| Efficiency                 | 77.5 %                      | Duty                   | Continuous |
| Insulation Class           | H                           | Frame                  | WMS56CZ    |
| Enclosure                  | Totally Enclosed Fan Cooled | Overload Protector     | No         |
| Ambient Temperature        | 40 °C                       | Drive End Bearing Size | 6205       |
| Opp Drive End Bearing Size | 6203                        | UL                     | Recognized |
| CSA                        | Y                           | CE                     | N          |

### Technical Specifications

|                 |            |                 |              |
|-----------------|------------|-----------------|--------------|
| Rotation        | Reversible | Mounting        | Rigid C base |
| Overall Length  | 17.38 in   | Frame Length    | 12.00 in     |
| Shaft Diameter  | 0.875 in   | Shaft Extension | 2.13 in      |
| Outline Drawing | 031817     |                 |              |

This is an uncontrolled document once printed or downloaded and is subject to change without notice. Date Created: 10/15/2018

- NOTES:  
 1) MAXIMUM FACE RUNOUT .004 T.I.R.  
 2) MAXIMUM PILOT ECCENTRICITY .004 T.I.R.  
 3) PERMISSIBLE SHAFT RUNOUT .002 T.I.R.  
 4) GASKETS THROUGHOUT.



|  |                         |                 |  |         |           |                      |                            |
|--|-------------------------|-----------------|--|---------|-----------|----------------------|----------------------------|
| DRAWING REVISION<br>01   | REVISION BY<br>L GUERRA | DATE<br>11/1/13 | TOLERANCES UNLESS OTHERWISE SPECIFIED:   |         |           | DRAWN BY<br>L GUERRA | Regal Beloit America, Inc. |
| ECO  | APPROVED BY             | DATE            | DEC.   | INCH    | mm        | ANGLE                |                            |
| ECO DESCRIPTION<br>ADDED EXTRA VIEW PER MFG REQUEST  |                         |                 | .X   | ±0.1    | [±2.5]    | ±0.5°                | DATE<br>5/5/05             |
| <small>COPYRIGHT REGAL BELOIT AMERICA, INC. ALL RIGHTS RESERVED. PROPRIETARY AND CONFIDENTIAL INFORMATION. THIS DOCUMENT IS THE PROPERTY OF REGAL BELOIT AMERICA, INC. ('OWNER') AND CONTAINS OWNER'S PROPRIETARY INFORMATION. ANY PERSON, CORPORATION OR OTHER FIRM RECEIVING IT IS DEEMED, BY RECEIVING IT, TO AGREE THAT IT, AND/OR ANY PART OF IT, SHALL NOT BE DISCLOSED TO ANY PERSON, CORPORATION OR OTHER ENTITY, DUPLICATED, AND/OR USED, EXCEPT AS EXPRESSLY APPROVED IN WRITING IN ADVANCE BY OWNER. THIS DOCUMENT SHALL BE RETURNED TO OWNER UPON REQUEST. IT MAY BE SUBJECT TO CERTAIN RESTRICTIONS UNDER APPLICABLE EXPORT CONTROL LAWS AND REGULATIONS.</small> |                         |                 | .XX  | ±0.03   | [±0.76]   |                      | APPROVED BY                |
|  |                         |                 | .XXX   | ±0.005  | [±0.127]  |                      | DATE                       |
|  |                         |                 | .XXX   | ±0.0005 | [±0.0127] |                      | PROCESS/FINISH             |
|  |                         |                 | REMOVE BURRS & BREAK SHARP EDGES: .003/.015 [0.076/3.81] CORNER FILLETS: .02 [51] MACHINED SURFACES: 125/3.2 INCH/mm |         |           |                      | MATERIAL                   |
|  |                         |                 | mm SHOWN IN [BRACKETS]   |         |           |                      | THIRD ANGLE PROJECTION     |
|  |                         |                 |  |         |           | SIZE<br>B            | DRAWING NUMBER<br>031817   |
|  |                         |                 |  |         |           |                      | SHEET<br>1 OF 1            |