

PRODUCT INFORMATION PACKET



Model No: C4D18FK2D

Catalog No: 109102.00

..1HP..1800RPM.S56C.TEFC.48V...CONT.40C.1.0SF.RIGID C.C4D18FK2.....DC NEMA LOW
VOLTAGE.....

Low Voltage



Regal and Leeson are trademarks of Regal Beloit Corporation or one of its affiliated companies.

©2018 Regal Beloit Corporation, All Rights Reserved. MC017097E





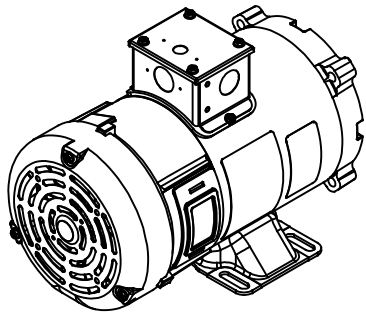
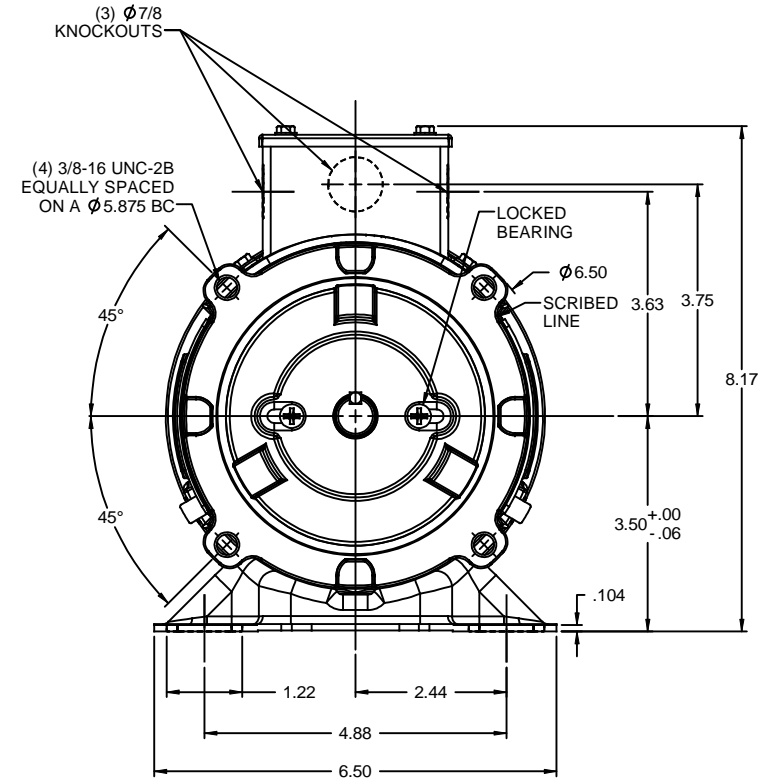
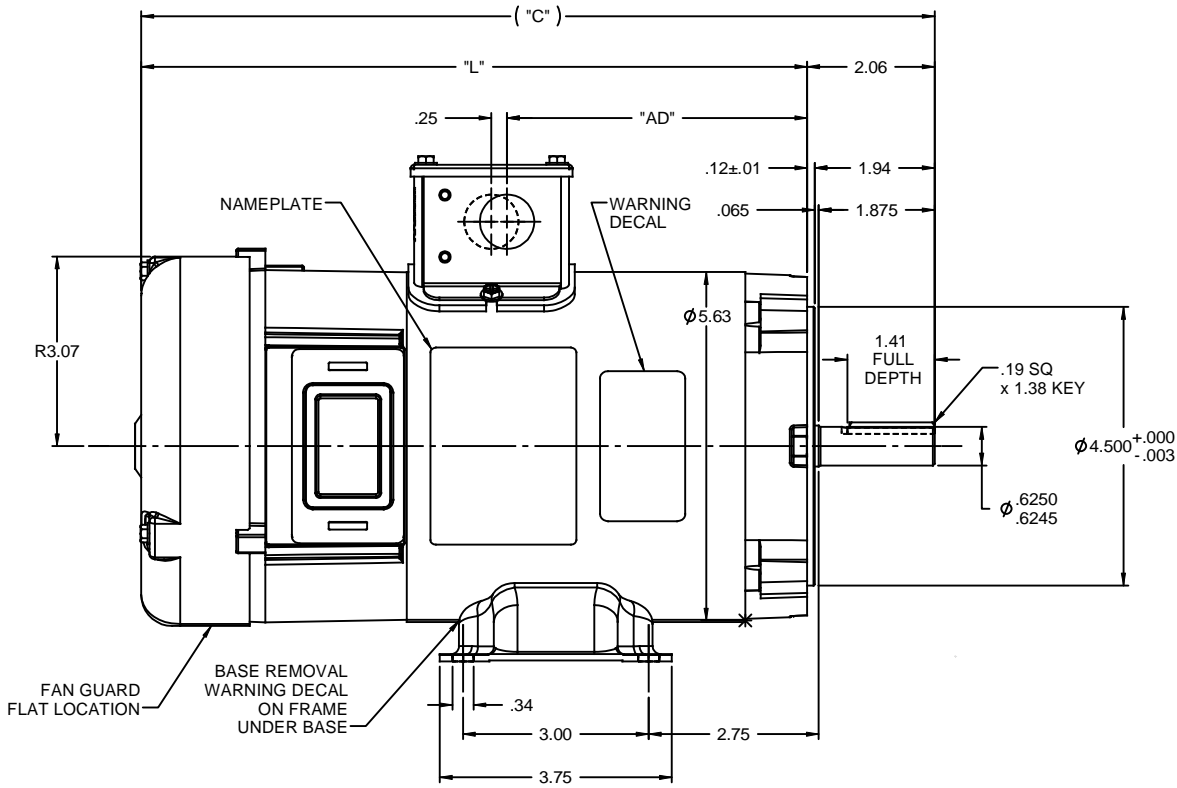
Nameplate Specifications

Output HP	1 Hp	Output KW	0.75 kW
Voltage	48 V	Current	18.5 A
Speed	1800 rpm	Service Factor	1
Efficiency	82 %	Duty	Continuous
Insulation Class	H	Frame	S56C
Enclosure	Totally Enclosed Fan Cooled	Overload Protector	No
Ambient Temperature	40 °C	Drive End Bearing Size	6203
Opp Drive End Bearing Size	6203	UL	Recognized
CSA	Y	CE	N

Technical Specifications

Rotation	Reversible	Mounting	Rigid C base
Overall Length	13.82 in	Frame Length	6.47 in
Shaft Diameter	0.625 in	Shaft Extension	2.06 in
Outline Drawing	031891-109102		

This is an uncontrolled document once printed or downloaded and is subject to change without notice. Date Created: 10/15/2018



- NOTES:
 1) MAXIMUM FACE RUNOUT .004 T.I.R.
 2) MAXIMUM PILOT ECCENTRICITY .004 T.I.R.
 3) PERMISSIBLE SHAFT RUNOUT .002 T.I.R.
 4) GASKETS THROUGHOUT.

109102.00	13.82	11.76	5.85	48	1	1800
109101.00	13.82	11.76	5.85	36	1	1800
108605.00	12.82	10.76	4.85	36	3/4	1800
108052.00	12.82	10.76	4.85	24	3/4	1800
CATALOG No.	"C"	"L"	"AD"	VOLTS	H.P.	RPM

03 ADDED NOTE ABOUT FAN GUARD FLAT LOCATION. ISAAC			IPG 12/9/2009	DEC	TOLERANCES UNLESS SPECIFIED INCHES	ELECTRIC MOTORS GEARMOTORS AND DRIVES	DRAWN IPG 4/2/08
09-4813				X	±.1		CHK BC 4/2/08
02 ADDED DATA FOR 108605.00, 109101.00 & 109102.00			IPG 4/6/2009	SK	.XX ±.03	TITLE OUTLINE	SCALE 1:2
01 ADDED PLUG CAP TO FAN GUARD. 108052.00			RPB 3/5/2009	RWS	XXX ±.005	48 FRAME DC - S56C MOUNT	REF 031879
RELEASED: REF. 031879 & 031187			IPG 4/8/2008	BC	XXX ±.0005	MATL	FMF 108052.75
NO REVISION			BY & DATE	CHK	ANG ±1/2°	FINISH	PAGE OF
THIRD ANGLE PROJECTION				RFP		PREV	SIZE DRAWING NO
							B 031891
					NETWORK FILE NAME		REV
							03