

# PRODUCT INFORMATION PACKET



Model No: C4D17FC43C

Catalog No: 109097.00

..1HP..1750RPM.S56C.TEFC.180V...CONT.40C.1.0SF.C FACE.C4D17FC43.....DC NEMA.....  
SCR



Regal and Leeson are trademarks of Regal Beloit Corporation or one of its affiliated companies.

©2018 Regal Beloit Corporation, All Rights Reserved. MC017097E





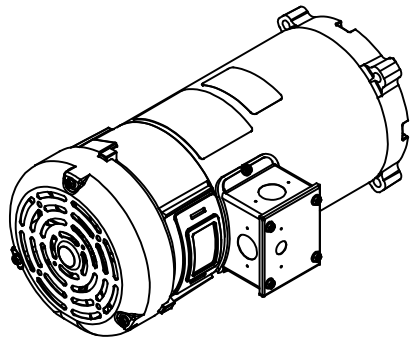
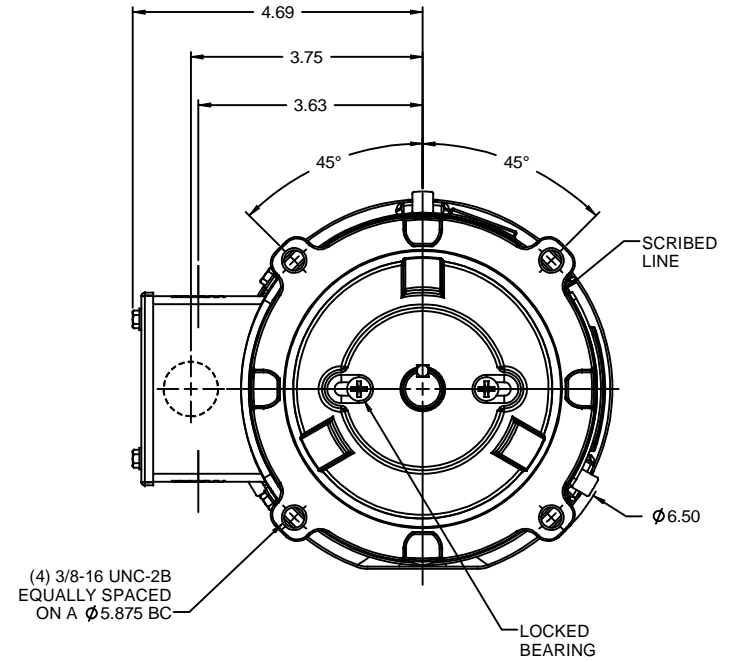
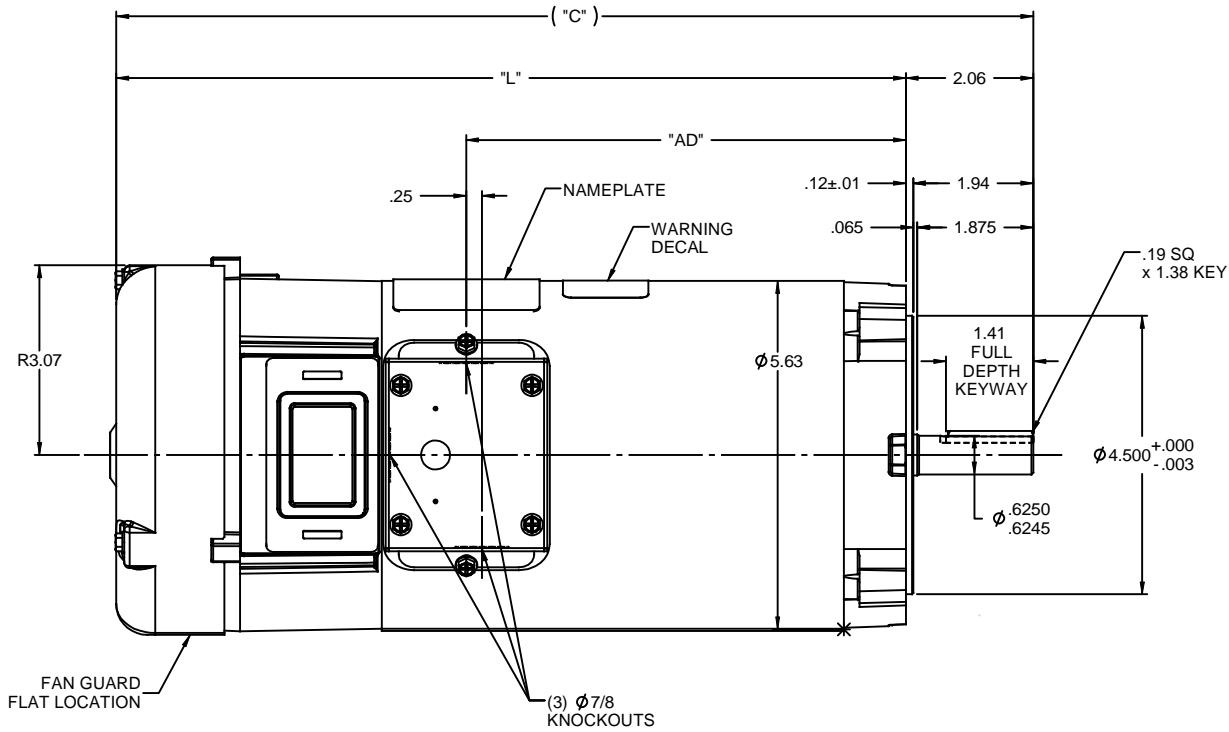
### Nameplate Specifications

Output HP	1 Hp	Output KW	0.75 kW
Voltage	180 V	Current	5.0 A
Speed	1750 rpm	Service Factor	1
Efficiency	85 %	Duty	Continuous
Insulation Class	F	Frame	S56C
Enclosure	Totally Enclosed Fan Cooled	Overload Protector	No
Ambient Temperature	40 °C	Drive End Bearing Size	6203
Opp Drive End Bearing Size	6203	UL	Recognized
CSA	Y	CE	N

### Technical Specifications


Rotation	Reversible	Mounting	Round
Overall Length	14.82 in	Frame Length	7.47 in
Shaft Diameter	0.625 in	Shaft Extension	2.06 in
Outline Drawing	031911-109097		

This is an uncontrolled document once printed or downloaded and is subject to change without notice. Date Created: 10/15/2018



- NOTES:  
 1) MAXIMUM FACE RUNOUT .004 T.I.R.  
 2) MAXIMUM PILOT ECCENTRICITY .004 T.I.R.  
 3) PERMISSIBLE SHAFT RUNOUT .002 T.I.R.  
 4) GASKETS THROUGHOUT.

109097.00	14.82	12.76	7.10	180	1	1750
109096.00	14.82	12.76	7.10	90	1	1750
<b>CATALOG No.</b>	<b>"C"</b>	<b>"L"</b>	<b>"AD"</b>	<b>VOLTS</b>	<b>H.P.</b>	<b>RPM</b>

			TOLERANCES UNLESS SPECIFIED		 <b>ELECTRIC MOTORS GEARMOTORS AND DRIVES</b>		DRAWN IPG 1/28/09	
			DEC INCHES				CHK SK 1/28/09	
			X ±.1		APPR			
01	ADDED NOTE ABOUT FAN GUARD FLAT LOCATION. ISAAC 09-4813	IPG 12/10/2009	XX	±.03	TITLE OUTLINE 48 FRAME DC		SCALE 1:2	
00	RELEASED: REF. 031814 & 031879	IPG 1/28/2009	SK	±.005	MATL		REF 031814	
NO	REVISION	BY & DATE	CHK	ANG ±1/2°	FINISH		FMF 109096.75	
			RFP		PREV		PAGE OF	
THIRD ANGLE PROJECTION			RFP		FINISH		SIZE	DRAWING NO
			NETWORK FILE NAME		PREV		<b>B</b>	<b>031911</b>
								REV
								<b>01</b>