

PRODUCT INFORMATION PACKET



Model No: C4D17WC9A

Catalog No: 109089.00

1HP.1750RPM.ZS56C.TEFC.180V.CONT.40C.1.0SF.C FACE.DC WASHGUARD ALL-STAINLESS.C4D17WC9A

NEMA



Regal and Leeson are trademarks of Regal Beloit Corporation or one of its affiliated companies.

©2018 Regal Beloit Corporation, All Rights Reserved. MC017097E





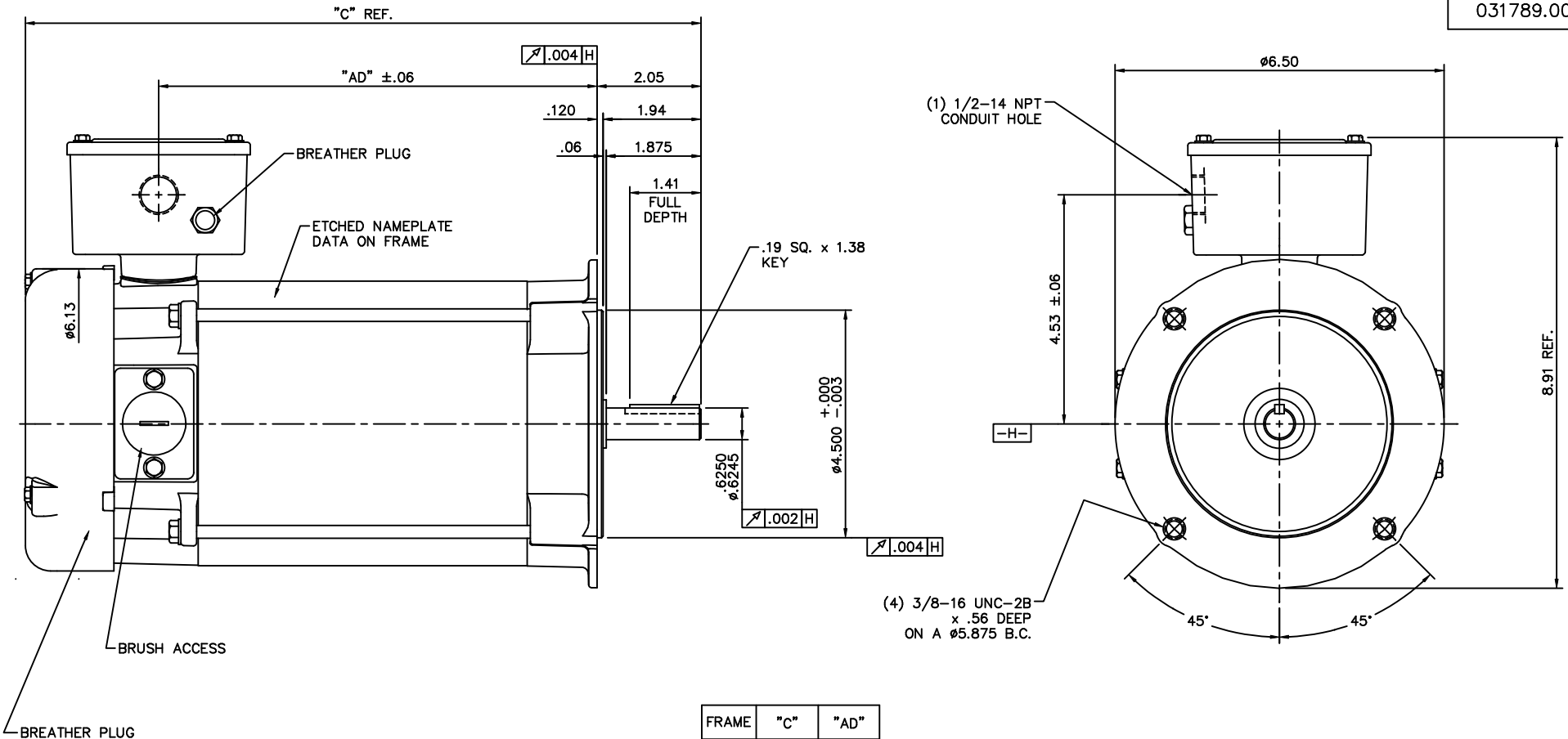
Nameplate Specifications

Output HP	1 Hp	Output KW	0.75 kW
Voltage	180 V	Current	5.0 A
Speed	1750 rpm	Service Factor	1
Efficiency	85.3 %	Duty	Continuous
Insulation Class	F	Frame	ZS56C
Enclosure	Totally Enclosed Fan Cooled	Overload Protector	No
Ambient Temperature	40 °C	Drive End Bearing Size	6205
Opp Drive End Bearing Size	6203	UL	Recognized
CSA	Y	CE	N

Technical Specifications

Rotation	Reversible	Mounting	Round
Overall Length	13.87 in	Frame Length	9.63 in
Shaft Diameter	0.625 in	Shaft Extension	2.05 in
Outline Drawing	031789-ZS56C	Connection Diagram	005487

This is an uncontrolled document once printed or downloaded and is subject to change without notice. Date Created: 10/15/2018

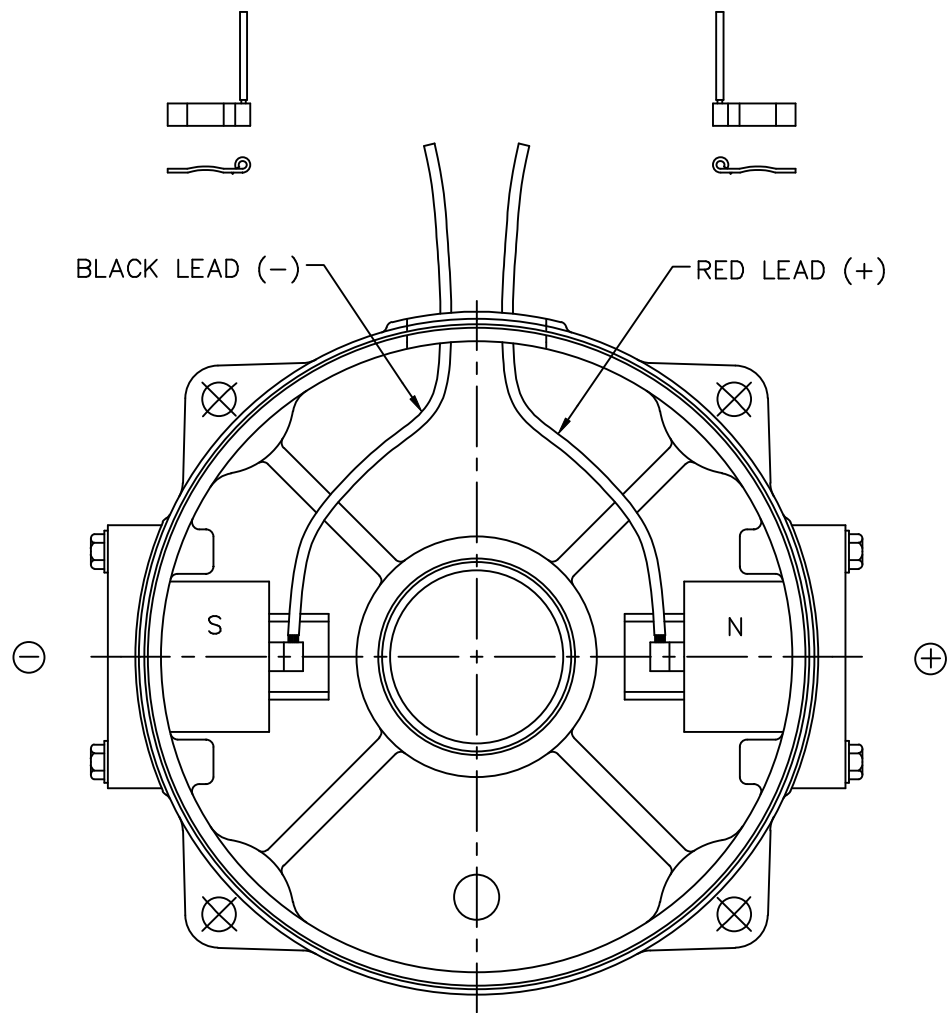


FRAME	"C"	"AD"
NS56C	12.87	8.16
RS56C	13.37	8.66
US56C	13.87	9.16
VS56C	14.37	9.66
WS56C	14.87	10.16
XS56C	15.37	10.66
YS56C	15.87	11.16
ZS56C	16.37	11.66


STAINLESS STEEL WASHGUARD MOTOR
SPECIAL FEATURES:

- 1) VITON CONDUIT BOX & COVER GASKETS
- 2) VITON O-RINGS IN ENDBELL RABBETS
- 3) VITON O-RINGS IN BRUSH HOLDER & CAP
- 4) VITON SHAFT SEAL
- 5) BREATHER PLUGS IN CONDUIT BOX & ENDBELL
- 6) ETCHED NAMEPLATE DATA ON MOTOR FRAME
- 7) ALL-STAINLESS STEEL CONSTRUCTION

				TOLERANCES UNLESS SPECIFIED		ELECTRIC MOTORS GEARMOTORS AND DRIVES		DRAWN PG 12/13/04	
				DEC.	INCHES			CHK	APPD PG 12/13/04
				.X ±.1		TITLE		SCALE 1=2	
				.XX ±.03		48 FRAME DC - S56C MOUNT - TEFC		REF 030967	
				.XXX ±.005		MAT'L STAINLESS STEEL		FMF 109088.00	
01	ADDED FRAME DESIGNATION TO TABLE, PER 109088.00	IPG	1/31/05	SAD	.XXXX ±.0005	FINISH		PREV	
NO.	REVISION	BY & DATE	CHK	ANG	±1/2"	CAD FILE 031789		SIZE B	DRAWING NO. 031789.00
THIS DRAWING IN DESIGN AND DETAIL IS OUR PROPERTY AND MUST NOT BE USED EXCEPT IN CONNECTION WITH OUR WORK ALL RIGHTS OF DESIGN AND INVENTION ARE RESERVED THIS IS AN ELECTRONICALLY GENERATED DOCUMENT - DO NOT SCALE THIS PRINT						RFP	REV. 01		
						DIST			



EXTERNAL CONNECTIONS FOR CCWLE ROTATION
 VIEWING LEAD END OF MOTOR WITH RED LEAD
 POSITIVE AND BLACK LEAD NEGATIVE.
 FOR CW ROTATION, REVERSE POLARITY.

				TOLERANCES UNLESS SPECIFIED		 ELECTRIC MOTORS GEARMOTORS AND DRIVES	DRAWN PG 12/10/04		
				DEC.	INCHES		CHK		
				.X	±.1		APPD PG 12/10/04		
				.XX	±.01		SCALE 5=8		
				.XXX	±.005		REF		
				.XXXX	±.0005	MAT'L.	FMF 109075.00		
NO.	REVISION	BY & DATE	CHK	ANG	±1/2"	FINISH	PREV		
THIS DRAWING IN DESIGN AND DETAIL IS OUR PROPERTY AND MUST NOT BE USED EXCEPT IN CONNECTION WITH OUR WORK ALL RIGHTS OF DESIGN AND INVENTION ARE RESERVED THIS IS AN ELECTRONICALLY GENERATED DOCUMENT - DO NOT SCALE THIS PRINT				RFP	CAD FILE	005487	SIZE	DRAWING NO.	REV.
				DIST			A	005487.01	