

# PRODUCT INFORMATION PACKET



Model No: C4D17WC3A

Catalog No: 109083.00

1/2HP.1750RPM.US56C.TEFC.180V.CONT.40C.1.0SF.C FACE.DC WASHGUARD ALL-  
STAINLESS.C4D17WC3A

NEMA



Regal and Leeson are trademarks of Regal Beloit Corporation or one of its affiliated companies.

©2018 Regal Beloit Corporation, All Rights Reserved. MC017097E





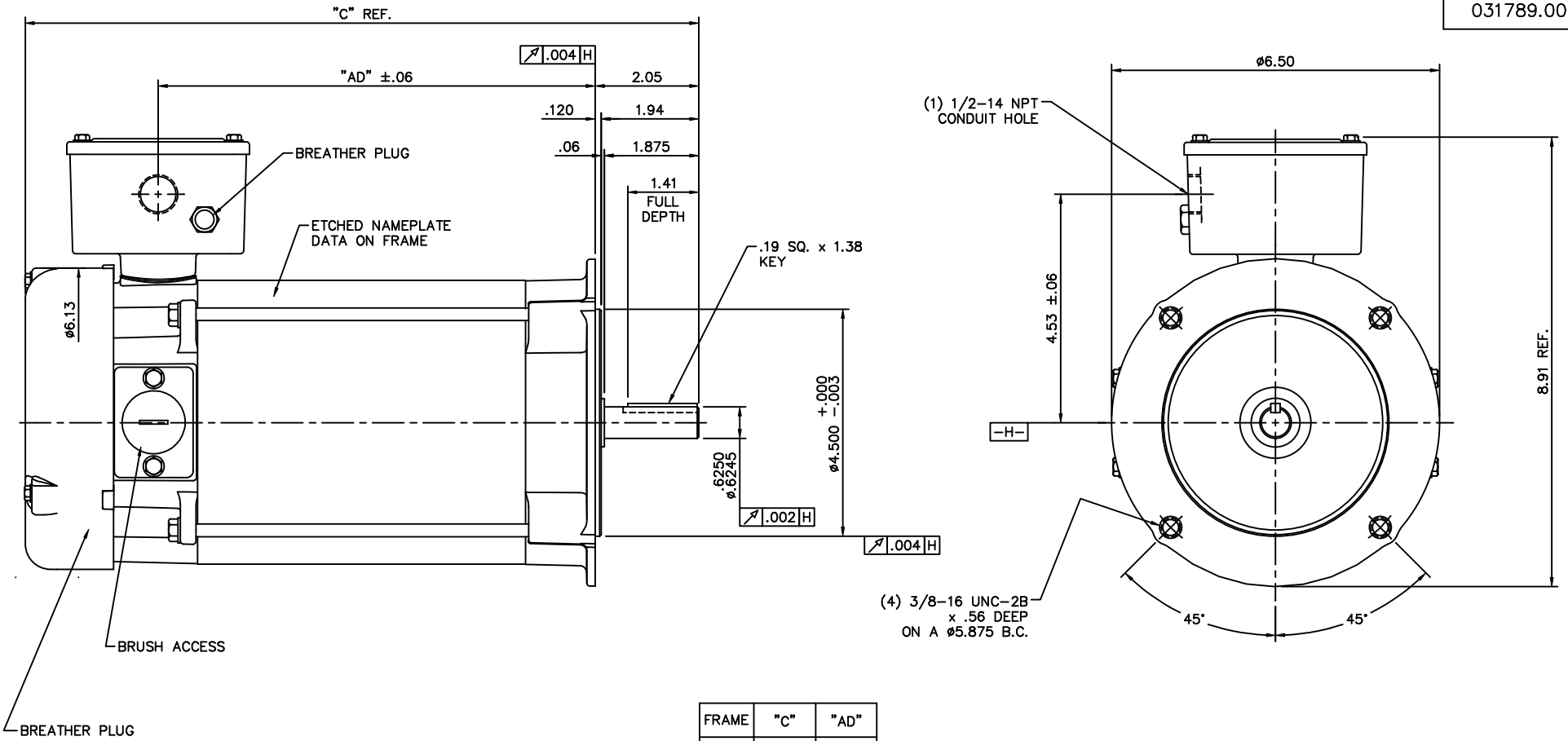
### Nameplate Specifications

Output HP	<b>0.50 Hp</b>	Output KW	<b>0.37 kW</b>
Voltage	<b>180 V</b>	Current	<b>2.7 A</b>
Speed	<b>1750 rpm</b>	Service Factor	<b>1</b>
Efficiency	<b>77.3 %</b>	Duty	<b>Continuous</b>
Insulation Class	<b>F</b>	Frame	<b>US56C</b>
Enclosure	<b>Totally Enclosed Fan Cooled</b>	Overload Protector	<b>No</b>
Ambient Temperature	<b>40 °C</b>	Drive End Bearing Size	<b>6205</b>
Opp Drive End Bearing Size	<b>6203</b>	UL	<b>Recognized</b>
CSA	<b>Y</b>	CE	<b>N</b>

### Technical Specifications

Rotation	<b>Reversible</b>	Mounting	<b>Round</b>
Overall Length	<b>13.87 in</b>	Frame Length	<b>7.25 in</b>
Shaft Diameter	<b>0.625 in</b>	Shaft Extension	<b>2.05 in</b>
Outline Drawing	<b>031789-US56C</b>	Connection Diagram	<b>005487</b>

**This is an uncontrolled document once printed or downloaded and is subject to change without notice. Date Created: 10/15/2018**

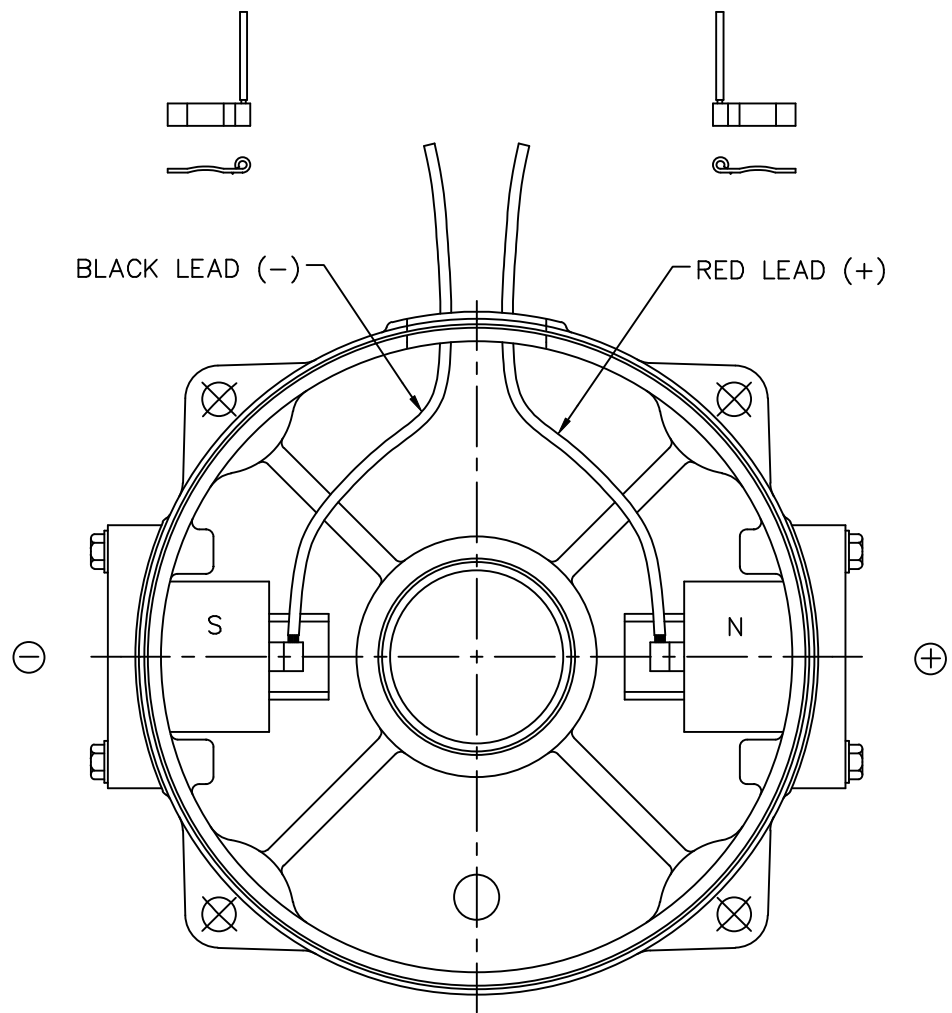


FRAME	"C"	"AD"
NS56C	12.87	8.16
RS56C	13.37	8.66
US56C	13.87	9.16
VS56C	14.37	9.66
WS56C	14.87	10.16
XS56C	15.37	10.66
YS56C	15.87	11.16
ZS56C	16.37	11.66


**STAINLESS STEEL WASHGUARD MOTOR**  
SPECIAL FEATURES:

- 1) VITON CONDUIT BOX & COVER GASKETS
- 2) VITON O-RINGS IN ENDBELL RABBETS
- 3) VITON O-RINGS IN BRUSH HOLDER & CAP
- 4) VITON SHAFT SEAL
- 5) BREATHER PLUGS IN CONDUIT BOX & ENDBELL
- 6) ETCHED NAMEPLATE DATA ON MOTOR FRAME
- 7) ALL-STAINLESS STEEL CONSTRUCTION

				TOLERANCES UNLESS SPECIFIED		ELECTRIC MOTORS GEARMOTORS AND DRIVES		DRAWN PG 12/13/04				
				DEC.	INCHES			CHK				
				.X ±.1		TITLE OUTLINE 48 FRAME DC - S56C MOUNT - TEFC		APPD PG 12/13/04				
				.XX ±.03				SCALE 1=2				
				.XXX ±.005		MAT'L STAINLESS STEEL		REF 030967				
01 ADDED FRAME DESIGNATION TO TABLE, PER 109088.00				IPG	1/31/05			SAD	.XXXX ±.0005	FMF 109088.00		
NO.	REVISION			CHK	ANG	±1/2"	FINISH	PREV				
THIS DRAWING IN DESIGN AND DETAIL IS OUR PROPERTY AND MUST NOT BE USED EXCEPT IN CONNECTION WITH OUR WORK ALL RIGHTS OF DESIGN AND INVENTION ARE RESERVED THIS IS AN ELECTRONICALLY GENERATED DOCUMENT - DO NOT SCALE THIS PRINT							RFP	CAD FILE	031789	SIZE	DRAWING NO.	REV.
							DIST	B	031789.00	01		



EXTERNAL CONNECTIONS FOR CCWLE ROTATION  
 VIEWING LEAD END OF MOTOR WITH RED LEAD  
 POSITIVE AND BLACK LEAD NEGATIVE.  
 FOR CW ROTATION, REVERSE POLARITY.

				TOLERANCES UNLESS SPECIFIED		 ELECTRIC MOTORS GEARMOTORS AND DRIVES	DRAWN PG 12/10/04		
				DEC.	INCHES		CHK		
				.X	±.1		APPD PG 12/10/04		
				.XX	±.01		SCALE 5=8		
				.XXX	±.005		REF		
				.XXXX	±.0005	MAT'L.	FMF 109075.00		
NO.	REVISION	BY & DATE	CHK	ANG	±1/2"	FINISH	PREV		
THIS DRAWING IN DESIGN AND DETAIL IS OUR PROPERTY AND MUST NOT BE USED EXCEPT IN CONNECTION WITH OUR WORK ALL RIGHTS OF DESIGN AND INVENTION ARE RESERVED THIS IS AN ELECTRONICALLY GENERATED DOCUMENT - DO NOT SCALE THIS PRINT				RFP	CAD FILE	005487	SIZE	DRAWING NO.	REV.
				DIST			A	005487.01	