

# PRODUCT INFORMATION PACKET



Model No: C4D17WC2A

Catalog No: 109082.00

1/2HP.1750RPM.US56C.TEFC.90V.CONT.40C.1.0SF.C FACE.DC WASHGUARD ALL-  
STAINLESS.C4D17WC2A

NEMA



Regal and Leeson are trademarks of Regal Beloit Corporation or one of its affiliated companies.

©2018 Regal Beloit Corporation, All Rights Reserved. MC017097E





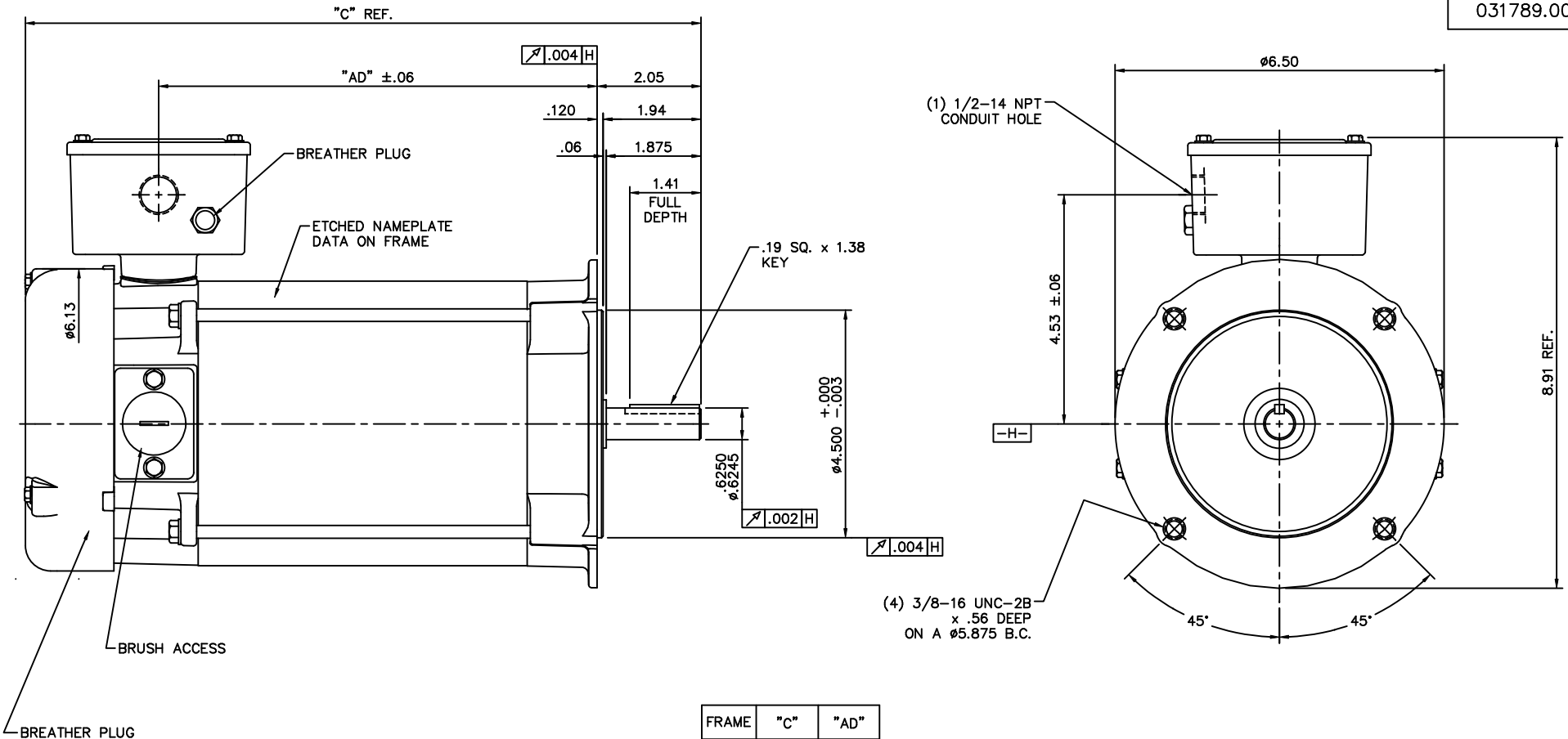
### Nameplate Specifications

Output HP	0.50 Hp	Output KW	0.37 kW
Voltage	90 V	Current	5.2 A
Speed	1750 rpm	Service Factor	1
Efficiency	79 %	Duty	Continuous
Insulation Class	F	Frame	US56C
Enclosure	Totally Enclosed Fan Cooled	Overload Protector	No
Ambient Temperature	40 °C	Drive End Bearing Size	6205
Opp Drive End Bearing Size	6203	UL	Recognized
CSA	Y	CE	N

### Technical Specifications

Rotation	Reversible	Mounting	Round
Overall Length	13.87 in	Frame Length	7.25 in
Shaft Diameter	0.625 in	Shaft Extension	2.05 in
Outline Drawing	031789-US56C	Connection Diagram	005487

This is an uncontrolled document once printed or downloaded and is subject to change without notice. Date Created: 10/15/2018

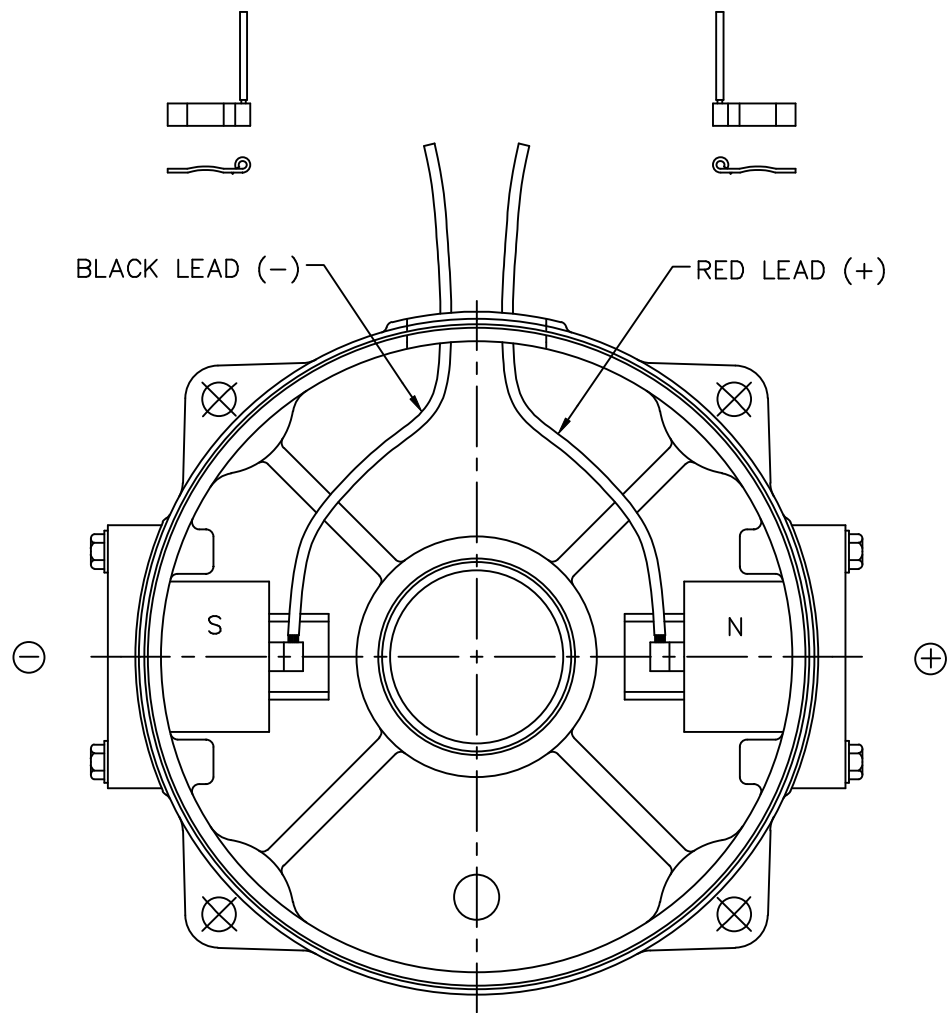


FRAME	"C"	"AD"
NS56C	12.87	8.16
RS56C	13.37	8.66
US56C	13.87	9.16
VS56C	14.37	9.66
WS56C	14.87	10.16
XS56C	15.37	10.66
YS56C	15.87	11.16
ZS56C	16.37	11.66


**STAINLESS STEEL WASHGUARD MOTOR**  
SPECIAL FEATURES:

- 1) VITON CONDUIT BOX & COVER GASKETS
- 2) VITON O-RINGS IN ENDBELL RABBETS
- 3) VITON O-RINGS IN BRUSH HOLDER & CAP
- 4) VITON SHAFT SEAL
- 5) BREATHER PLUGS IN CONDUIT BOX & ENDBELL
- 6) ETCHED NAMEPLATE DATA ON MOTOR FRAME
- 7) ALL-STAINLESS STEEL CONSTRUCTION

				TOLERANCES UNLESS SPECIFIED				ELECTRIC MOTORS GEARMOTORS AND DRIVES		DRAWN PG 12/13/04	
				DEC.	INCHES			CHK	APPD PG 12/13/04	SCALE 1=2	REF 030967
				.X	±.1	TITLE		OUTLINE			
				.XX	±.03	48 FRAME DC - S56C MOUNT - TEFC					
				.XXX	±.005	MAT'L		STAINLESS STEEL			
01	ADDED FRAME DESIGNATION TO TABLE, PER 109088.00	IPG	1/31/05	SAD	.XXXX	±.0005					
NO.	REVISION	BY & DATE	CHK	ANG	±1/2"	FINISH					
THIS DRAWING IN DESIGN AND DETAIL IS OUR PROPERTY AND MUST NOT BE USED EXCEPT IN CONNECTION WITH OUR WORK ALL RIGHTS OF DESIGN AND INVENTION ARE RESERVED THIS IS AN ELECTRONICALLY GENERATED DOCUMENT - DO NOT SCALE THIS PRINT							RFP	CAD FILE	031789	SIZE	DRAWING NO.
							DIST	B	031789.00	REV.	01



EXTERNAL CONNECTIONS FOR CCWLE ROTATION  
 VIEWING LEAD END OF MOTOR WITH RED LEAD  
 POSITIVE AND BLACK LEAD NEGATIVE.  
 FOR CW ROTATION, REVERSE POLARITY.

				TOLERANCES UNLESS SPECIFIED		 ELECTRIC MOTORS GEARMOTORS AND DRIVES	DRAWN PG 12/10/04		
				DEC.	INCHES		CHK		
				.X	±.1		APPD PG 12/10/04		
				.XX	±.01		SCALE 5=8		
				.XXX	±.005		REF		
				.XXXX	±.0005	MAT'L.	FMF 109075.00		
NO.	REVISION	BY & DATE	CHK	ANG	±1/2"	FINISH	PREV		
THIS DRAWING IN DESIGN AND DETAIL IS OUR PROPERTY AND MUST NOT BE USED EXCEPT IN CONNECTION WITH OUR WORK ALL RIGHTS OF DESIGN AND INVENTION ARE RESERVED THIS IS AN ELECTRONICALLY GENERATED DOCUMENT - DO NOT SCALE THIS PRINT				RFP		CAD FILE 005487	SIZE A	DRAWING NO. 005487.01	REV.
				DIST					