

# PRODUCT INFORMATION PACKET



Model No: CI4D17WK11A

Catalog No: 109071.00

..1/2HP-.37KW..1750RPM.80D.IP55.180V...S1.40C.1,0SF.RIGID.CI4D17WK11A.....DC WASHGUARD ALL-STAINLESS.....

IEC



Regal and Leeson are trademarks of Regal Beloit Corporation or one of its affiliated companies.

©2018 Regal Beloit Corporation, All Rights Reserved. MC017097E





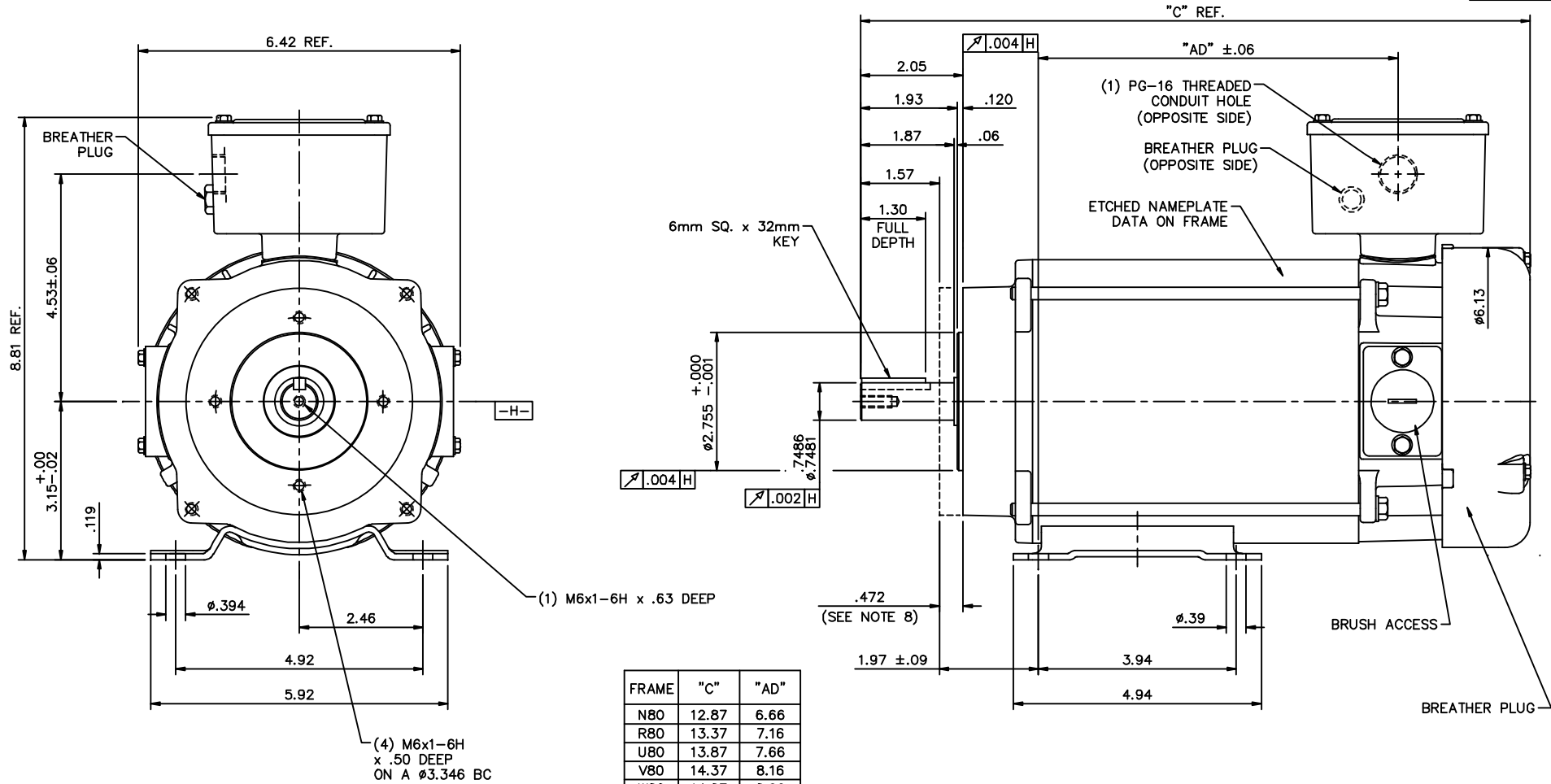
### Nameplate Specifications

Output KW	0.55 kW	Voltage	180 V
Current	3.8 A	Speed	1750 rpm
Service Factor	1	Efficiency	77.3 %
Duty	S1	Insulation Class	F
Frame	80D	Enclosure	IP55
Overload Protector	No	Ambient Temperature	40 °C
Drive End Bearing Size	6205	Opp Drive End Bearing Size	6203
UL	Recognized	CSA	Y
CE	Y		

### Technical Specifications

Rotation	Reversible	Mounting	Rigid base
Overall Length	13.87 in	Frame Length	7.25 in
Shaft Diameter	0.750 in	Shaft Extension	2.05 in
Outline Drawing	031791-U80	Connection Diagram	005487

This is an uncontrolled document once printed or downloaded and is subject to change without notice. Date Created: 10/15/2018

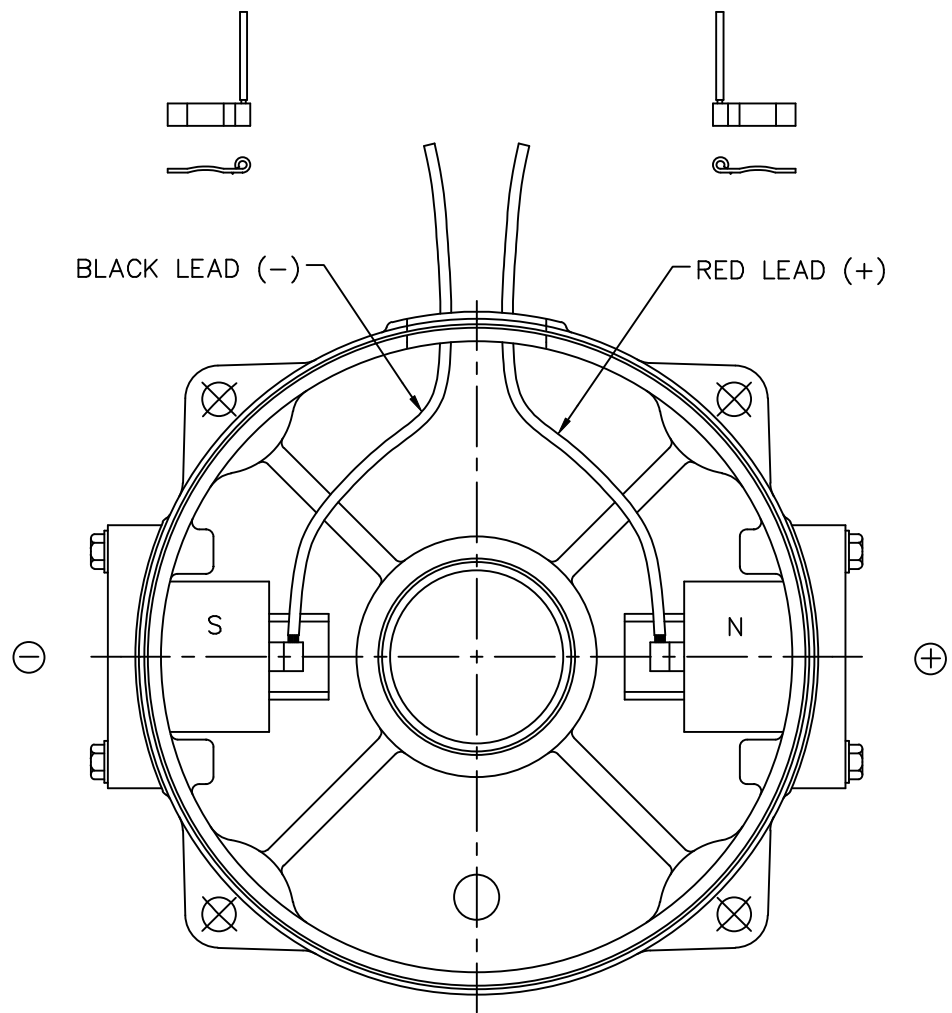


**STAINLESS STEEL WASHGUARD MOTOR**  
SPECIAL FEATURES:


- 1) VITON CONDUIT BOX & COVER GASKETS.
- 2) VITON O-RINGS IN ENDBELL RABBETS.
- 3) VITON O-RINGS IN BRUSH HOLDER & CAP.
- 4) VITON SHAFT SEAL.
- 5) BREATHING PLUGS IN CONDUIT BOX & ENDBELL.
- 6) ETCHED NAMEPLATE DATA ON MOTOR FRAME.
- 7) ALL-STAINLESS STEEL CONSTRUCTION.
- 8) DIMENSION IS SPACE PROVIDED FOR A BOLT-ON B5 OR B14 ADAPTER KIT FOR IEC-80 FRAME.

FRAME	"C"	"AD"
N80	12.87	6.66
R80	13.37	7.16
U80	13.87	7.66
V80	14.37	8.16
W80	14.87	8.66
X80	15.37	9.16
Y80	15.87	9.66
Z80	16.37	10.16

NO.	REVISION	BY & DATE	CHK	ANG	TOLERANCES UNLESS SPECIFIED		MATERIAL	FINISH	DRAWN	PG	REV.		
					DEC.	INCHES							
02	CORRECTED LOCATION OF BREATHING PLUG AND PG-16 HOLE TO MATCH ENDBELL ASSEMBLY, ISAAC 12-032B	IPG 1/25/12	.X	±.1	.XX	±.03	TITLE	OUTLINE - IEC-80 FRAME RIGID METRIC FACE MOUNT - TEFC	APPD	PG 12/14/04	CHK		
01	ADDED FRAME DESIGNATION TO TABLE, PER 109077.00	IPG 2/1/05	SAD	.XXXX	±.0005	MAT'L	STAINLESS STEEL MOTOR	FMF	109077.00	REF	030855		
								PREV					
THIS DRAWING IN DESIGN AND DETAIL IS OUR PROPERTY AND MUST NOT BE USED EXCEPT IN CONNECTION WITH OUR WORK ALL RIGHTS OF DESIGN AND INVENTION ARE RESERVED THIS IS AN ELECTRONICALLY GENERATED DOCUMENT - DO NOT SCALE THIS PRINT								RFP	CAD FILE	031791	SIZE	DRAWING NO.	
								DIST			B	031791	02



EXTERNAL CONNECTIONS FOR CCWLE ROTATION  
 VIEWING LEAD END OF MOTOR WITH RED LEAD  
 POSITIVE AND BLACK LEAD NEGATIVE.  
 FOR CW ROTATION, REVERSE POLARITY.

				TOLERANCES UNLESS SPECIFIED		 ELECTRIC MOTORS GEARMOTORS AND DRIVES	DRAWN PG 12/10/04		
				DEC.	INCHES		CHK		
				.X	±.1		APPD PG 12/10/04		
				.XX	±.01		SCALE 5=8		
				.XXX	±.005		REF		
				.XXXX	±.0005	MAT'L.	FMF 109075.00		
NO.	REVISION	BY & DATE	CHK	ANG	±1/2"	FINISH	PREV		
THIS DRAWING IN DESIGN AND DETAIL IS OUR PROPERTY AND MUST NOT BE USED EXCEPT IN CONNECTION WITH OUR WORK ALL RIGHTS OF DESIGN AND INVENTION ARE RESERVED THIS IS AN ELECTRONICALLY GENERATED DOCUMENT - DO NOT SCALE THIS PRINT				RFP	CAD FILE	005487	SIZE	DRAWING NO.	REV.
				DIST			A	005487.01	