

PRODUCT INFORMATION PACKET



Model No: C4D17FZ53C

Catalog No: 108732.00

..1/2HP..92RPM.P1102-48.TEFC.12V.....C4D17FZ53C.P1100...19:1...320LBIN..DOUBLE....
P1100 Series



Regal and Leeson are trademarks of Regal Beloit Corporation or one of its affiliated companies.

©2018 Regal Beloit Corporation, All Rights Reserved. MC017097E





Nameplate Specifications

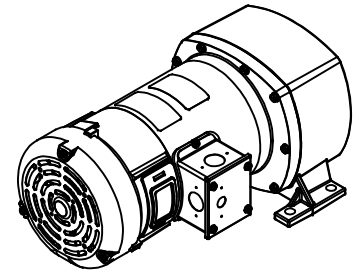
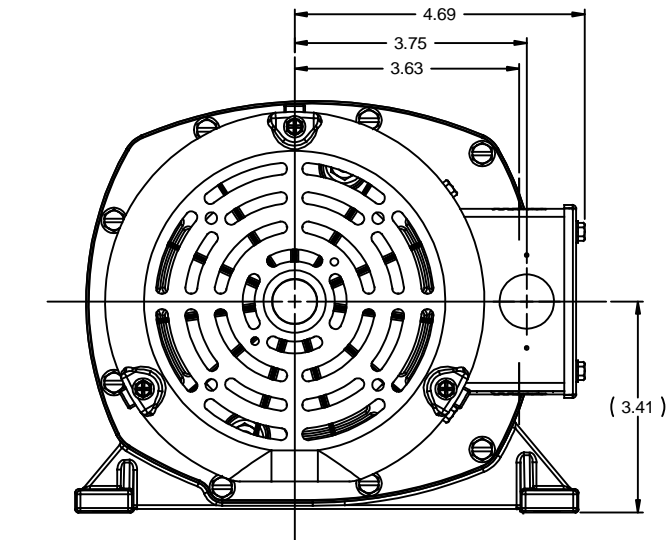
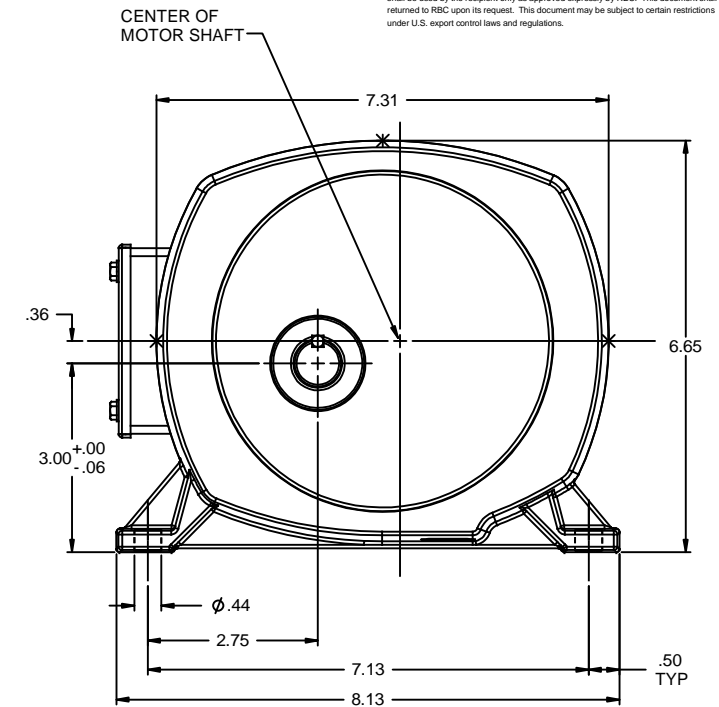
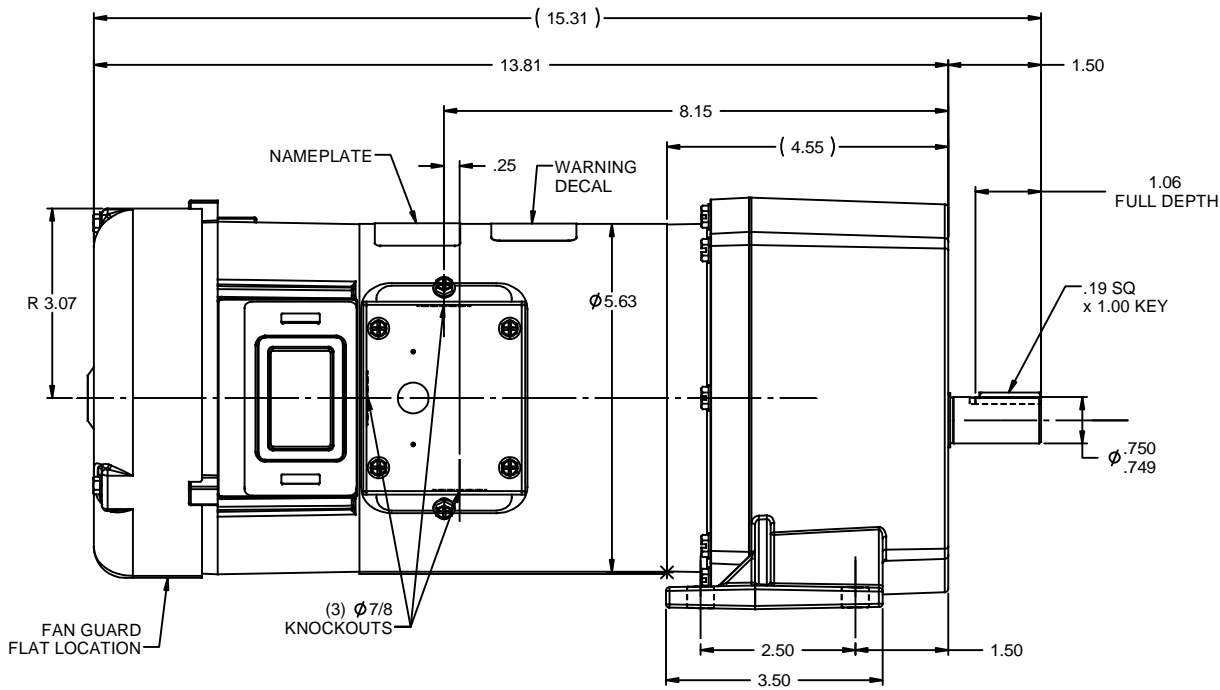
Output HP	0.50 Hp	Output KW	0.37 kW
Voltage	12 V	Current	40.0 A
Speed	92 rpm	Service Factor	1
Efficiency	61.3 %	Duty	Continuous
Insulation Class	F	Frame	48Y
Enclosure	Totally Enclosed Fan Cooled	Overload Protector	No
Ambient Temperature	40 °C	Drive End Bearing Size	6203
Opp Drive End Bearing Size	6203	UL	Recognized
CSA	Y	CE	N

Technical Specifications

Rotation	Reversible	Mounting	Special
Shaft Type	Parallel	Overall Length	15.31 in
Frame Length	4.97 in	Shaft Diameter	0.750 in
Shaft Extension	1.5 in		
Outline Drawing	032038-108732	Connection Diagram	NONE

This is an uncontrolled document once printed or downloaded and is subject to change without notice. Date Created: 10/15/2018

RBC PROPRIETARY AND CONFIDENTIAL INFORMATION
 This document is the property of REGAL BELOIT CORPORATION ("RBC") including its subsidiaries and divisions and contains proprietary information (RBC). This document is loaned on the express condition that neither it nor the information contained therein shall be disclosed to others without the express written consent of RBC, and that the information shall be used by the recipient only as approved expressly by RBC. This document shall be returned to RBC upon its request. This document may be subject to certain restrictions under U.S. export control laws and regulations.



NOTES:
 1) GEARBOX OIL: MOBIL-MOBIL GEAR 600XP-320

CATALOG No.	VOLTS	INPUT HP	GEAR RATIO	RPM	F.L. TORQUE (LB-IN)
108732.00	12	1/2	19:1	92	320
108731.00	12	1/2	42:1	42	705

TOLERANCES UNLESS SPECIFIED		ELECTRIC MOTORS GEARMOTORS AND DRIVES		DRAWN IPG 6/30/10	
DEC	INCHES	LEESON		CHK	
X	±.1	TITLE OUTLINE		APPR	
.XX	±.03	48 FRAME DC - P1100 GEARBOX		SCALE	1:2
.XXX	±.005	FINISH		REF	032031
.XXX	±.0005	RFP		FMF	108731.00
00	RELEASED: REF. 032031 & 031613	IPG	6/30/2010	CHK	ANG ±1/2°
NO	REVISION	BY & DATE	FINISH	PREV	PAGE OF
THIRD ANGLE PROJECTION		NETWORK FILE NAME 032038		SIZE	DRAWING NO
				B	032038
				REV	00