

PRODUCT INFORMATION PACKET



Model No: C4D17FZ52C

Catalog No: 108731.00

..1/2HP..42RPM.P1102-48.TEFC.12V.....C4D17FZ52C.P1100...42:1...705LBIN..DOUBLE....
P1100 Series



Regal and Leeson are trademarks of Regal Beloit Corporation or one of its affiliated companies.

©2018 Regal Beloit Corporation, All Rights Reserved. MC017097E





Nameplate Specifications

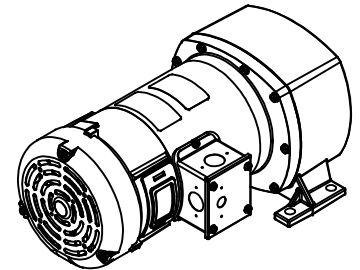
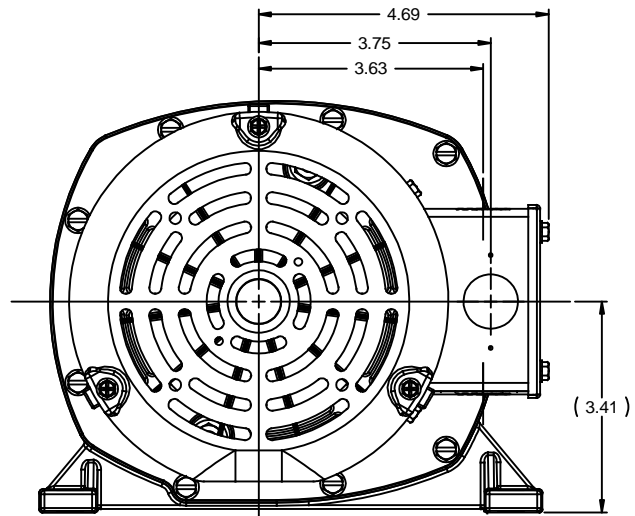
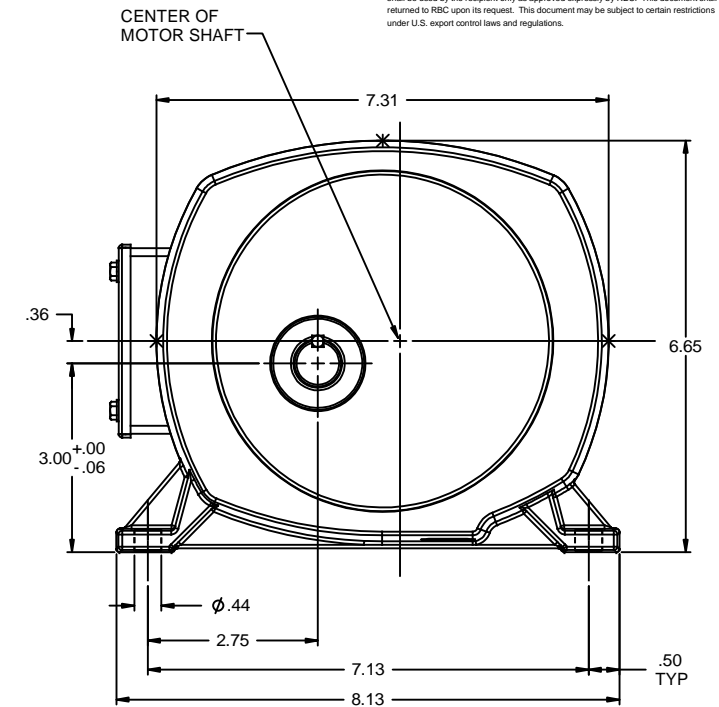
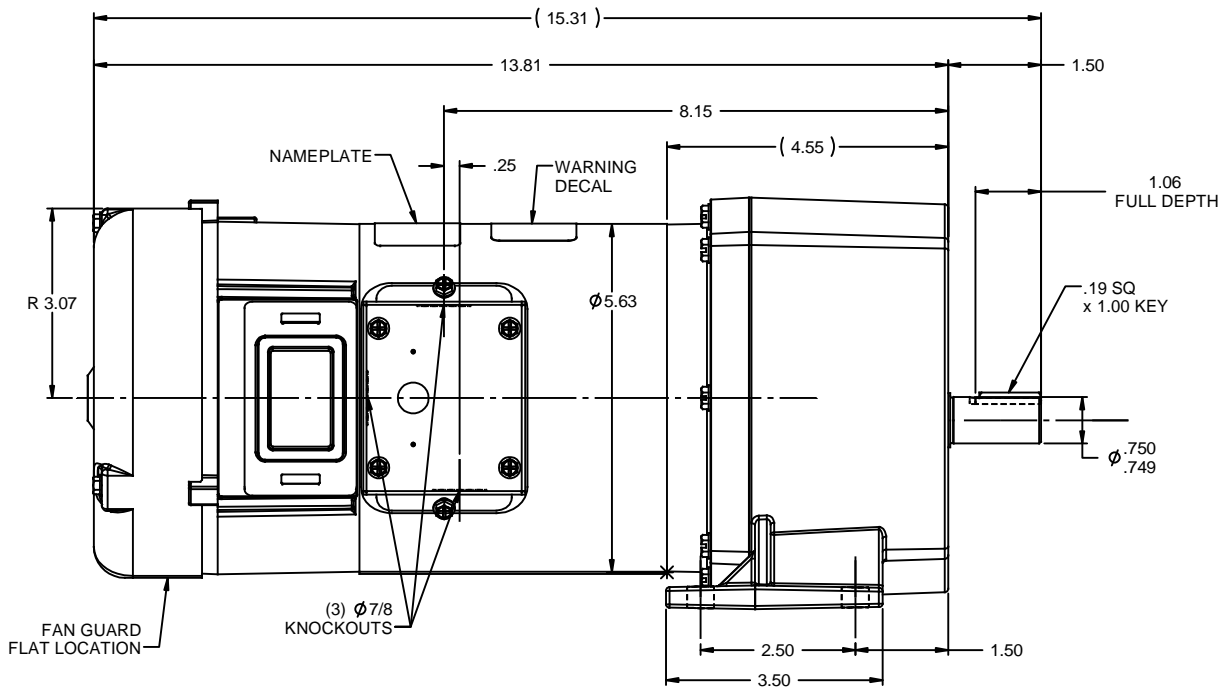
Output HP	0.50 Hp	Output KW	0.37 kW
Voltage	12 V	Current	40.0 A
Speed	42 rpm	Service Factor	1
Efficiency	61.3 %	Duty	Continuous
Insulation Class	F	Frame	48Y
Enclosure	Totally Enclosed Fan Cooled	Overload Protector	No
Ambient Temperature	40 °C	Drive End Bearing Size	6203
Opp Drive End Bearing Size	6203	UL	Recognized
CSA	Y	CE	N

Technical Specifications

Rotation	Reversible	Mounting	Special
Shaft Type	Parallel	Overall Length	15.31 in
Frame Length	4.97 in	Shaft Diameter	0.750 in
Shaft Extension	1.5 in		
Outline Drawing	032038-108731	Connection Diagram	NONE

This is an uncontrolled document once printed or downloaded and is subject to change without notice. Date Created: 10/15/2018

RBC PROPRIETARY AND CONFIDENTIAL INFORMATION
 This document is the property of REGAL BELOIT CORPORATION ("RBC") including its subsidiaries and divisions and contains proprietary information (RBC). This document is loaned on the express condition that neither it nor the information contained therein shall be disclosed to others without the express written consent of RBC, and that the information shall be used by the recipient only as approved expressly by RBC. This document shall be returned to RBC upon its request. This document may be subject to certain restrictions under U.S. export control laws and regulations.



NOTES:
 1) GEARBOX OIL: MOBIL-MOBIL GEAR 600XP-320

108732.00	12	1/2	19:1	92	320
108731.00	12	1/2	42:1	42	705
CATALOG No.	VOLTS	INPUT HP	GEAR RATIO	RPM	F.L. TORQUE (LB-IN)

		TOLERANCES UNLESS SPECIFIED:		LEESON ELECTRIC MOTORS GEARMOTORS AND DRIVES		DRAWN IPG 6/30/10	
		DEC INCHES				CHK	
		X ±.1		APPR		SCALE 1:2	
		.XX ±.03		TITLE OUTLINE		REF 032031	
		.XXX ±.005		48 FRAME DC - P1100 GEARBOX		FMF 108731.00	
00 RELEASED: REF. 032031 & 031613		IPG 6/30/2010		MATL		PAGE OF	
NO		REVISION		BY & DATE		FINISH	
		THIRD ANGLE PROJECTION		CHK ANG ±1/2°		RFP	
				PREV		SIZE DRAWING NO	
				NETWORK FILE NAME 032038		B 032038	
						REV 00	