

PRODUCT INFORMATION PACKET



Model No: C4D17NZ44B

Catalog No: 108730.00

P1100...29:1.60RPM.238LBIN.1/4HP.P1102-48..DOUBLE..12V..TENV.C4D17NZ44B

P1100 Series



Regal and Leeson are trademarks of Regal Beloit Corporation or one of its affiliated companies.

©2018 Regal Beloit Corporation, All Rights Reserved. MC017097E





Nameplate Specifications

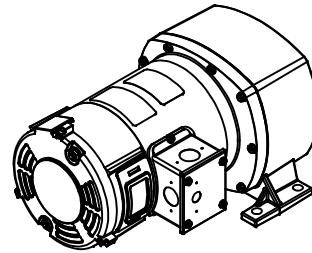
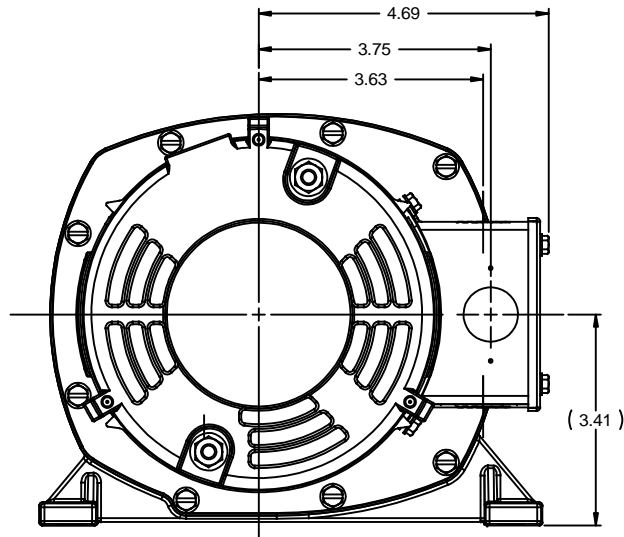
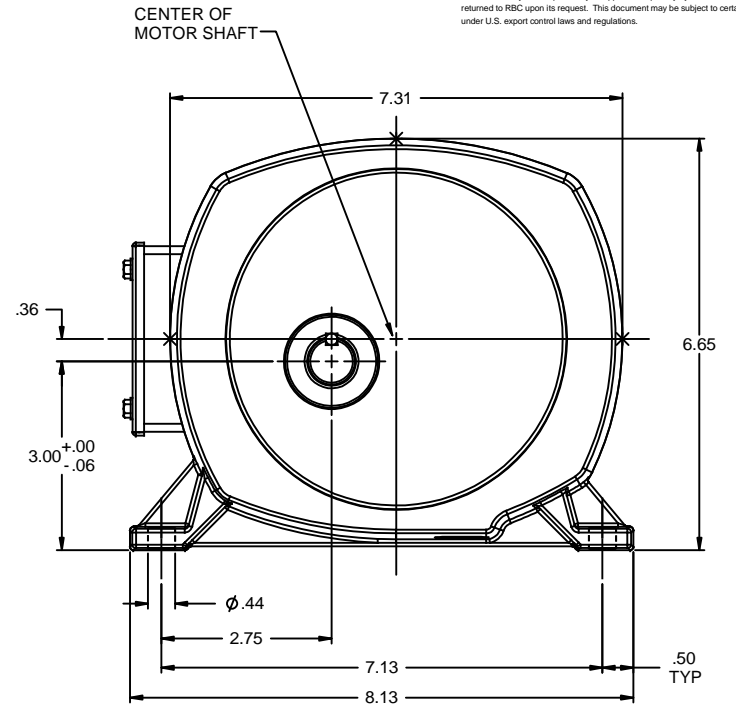
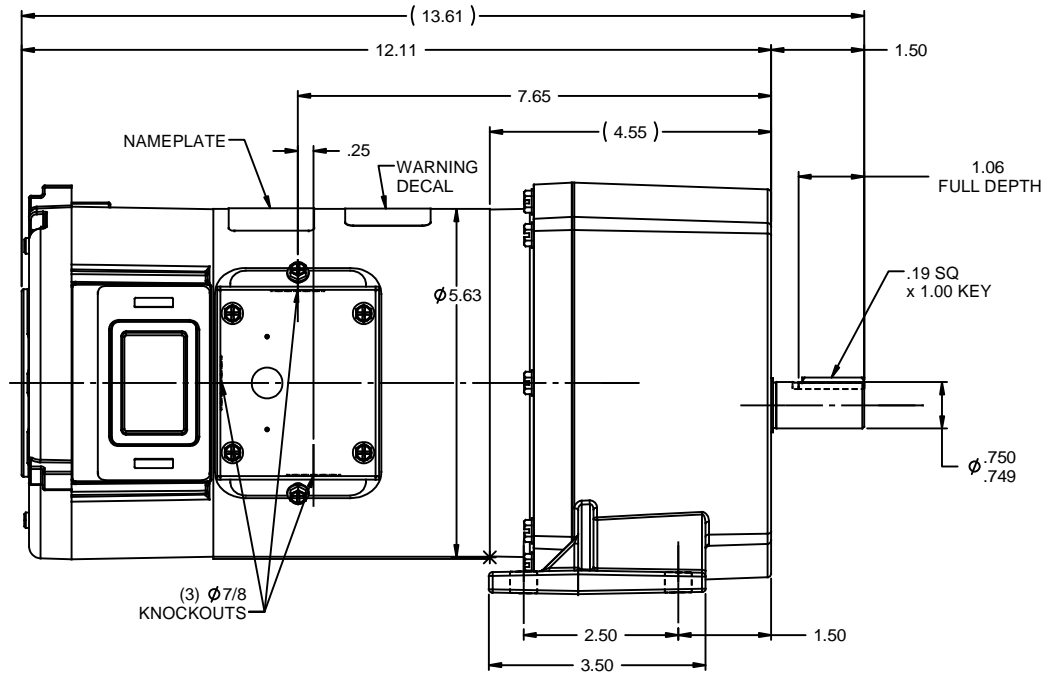
Output HP	0.25 Hp	Output KW	0.19 kW
Voltage	12 V	Current	21.0 A
Speed	60 rpm	Service Factor	1
Efficiency	62.4 %	Duty	Continuous
Insulation Class	F	Frame	48Y
Enclosure	Totally Enclosed Non Ventilated	Overload Protector	No
Ambient Temperature	40 °C	Drive End Bearing Size	6203
Opp Drive End Bearing Size	6203	UL	Recognized
CSA	Y	CE	N

Technical Specifications

Rotation	Reversible	Mounting	Special
Shaft Type	Parallel	Overall Length	13.61 in
Frame Length	4.47 in	Shaft Diameter	0.750 in
Shaft Extension	1.5 in		
Outline Drawing	032034-108730	Connection Diagram	NONE

This is an uncontrolled document once printed or downloaded and is subject to change without notice. Date Created: 10/15/2018

RBC PROPRIETARY AND CONFIDENTIAL INFORMATION
 This document is the property of REGAL BELOIT CORPORATION ("RBC") including its subsidiaries and divisions and contains proprietary information of RBC. This document is loaned on the express condition that neither it nor the information contained therein shall be disclosed to others without the express written consent of RBC, and that the information shall be used by the recipient only as approved expressly by RBC. This document shall be returned to RBC upon its request. This document may be subject to certain restrictions under U.S. export control laws and regulations.



NOTES:
 1) GEARBOX OIL: MOBIL-MOBIL GEAR 600XP-320

108730.00	12	1/4	29:1	60	238
108729.00	12	1/4	212:1	8	1087
CATALOG No.	VOLTS	INPUT HP	GEAR RATIO	RPM	F.L. TORQUE (LB-IN)

			TOLERANCES UNLESS SPECIFIED	LEESON ELECTRIC MOTORS GEARMOTORS AND DRIVES		DRAWN IPG 6/15/10	
			DEC INCHES			CHK	
			X ±.1	APPR		SCALE 1:2	
			.XX ±.03	TITLE OUTLINE		REF 031612	
			.XXX ±.005	48 FRAME DC - P1100 GEARBOX		FMF 108729.00	
RELEASED: REF. 031612 & 032033			IPG 6/15/2010	MATL		PAGE OF	
NO	REVISION	BY & DATE	CHK ANG ±1/2°	FINISH	RFP	PREV	SIZE
THIRD ANGLE PROJECTION					NETWORK FILE NAME	032034	DRAWING NO
						B	032034
							REV