

PRODUCT INFORMATION PACKET



Model No: C4D17NZ43B

Catalog No: 108729.00

..1/4HP..8RPM.P1103-48.TENV.12V.....C4D17NZ43B.P1100...212:1...1087LBIN..TRIPLE....
P1100 Series



Regal and Leeson are trademarks of Regal Beloit Corporation or one of its affiliated companies.

©2018 Regal Beloit Corporation, All Rights Reserved. MC017097E





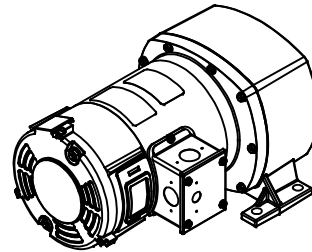
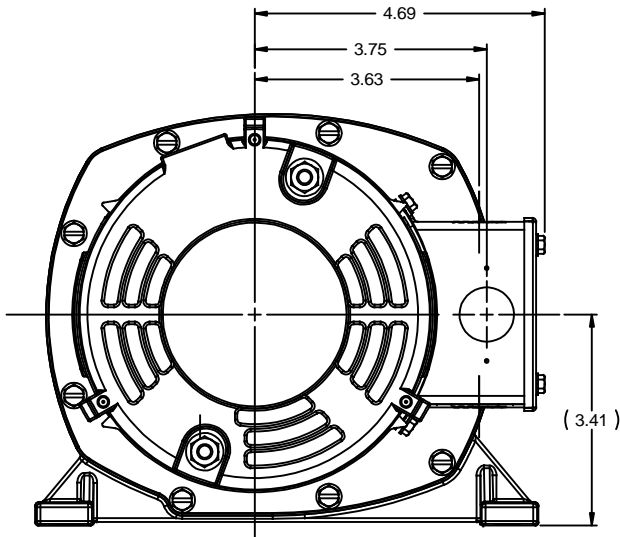
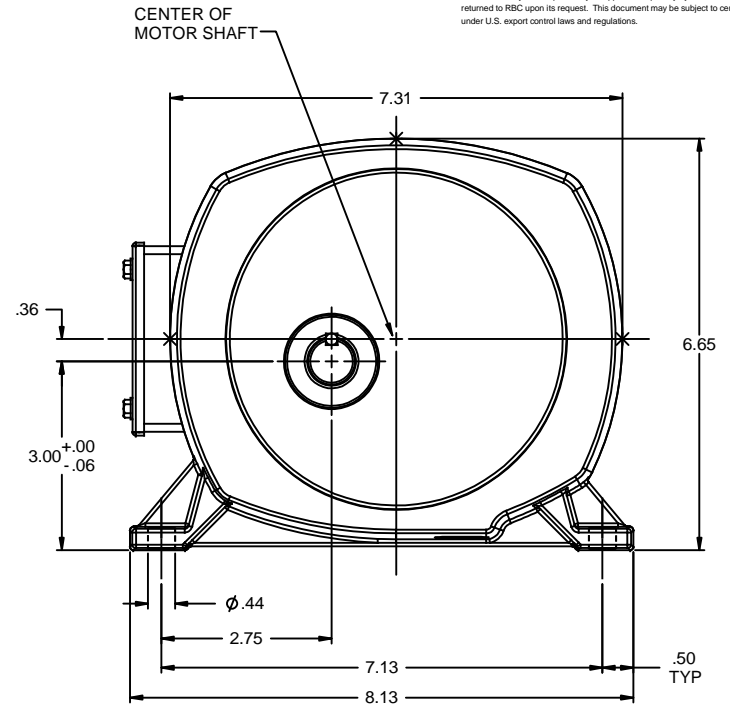
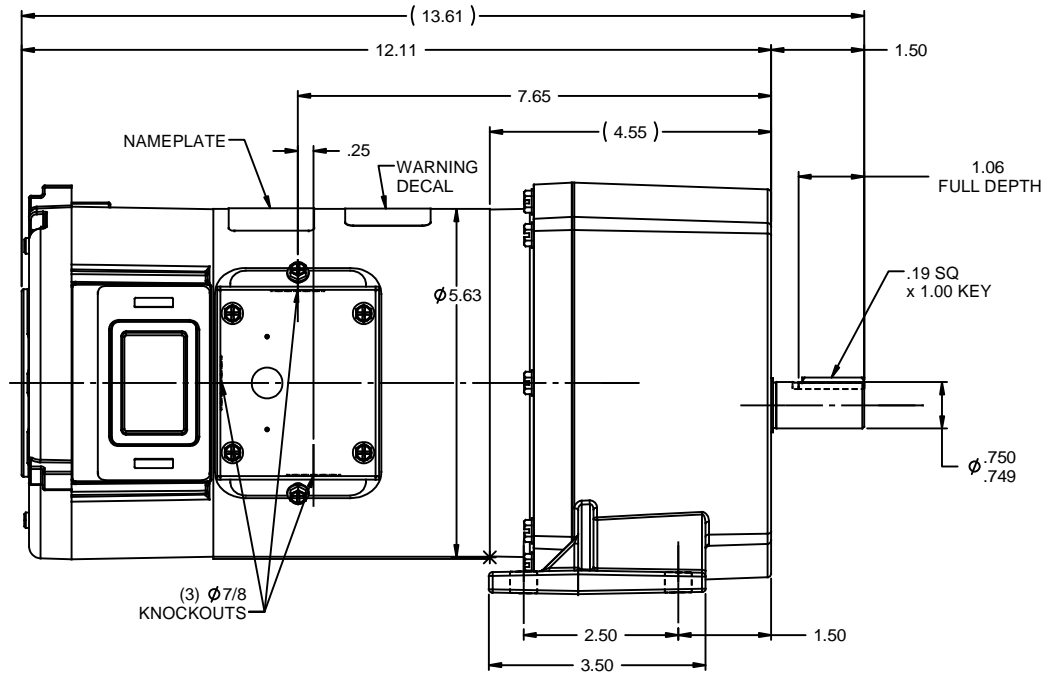
Nameplate Specifications

| | | | |
|----------------------------|--|------------------------|-------------------|
| Output HP | 0.25 Hp | Output KW | 0.19 kW |
| Voltage | 12 V | Current | 21.0 A |
| Speed | 8 rpm | Service Factor | 1 |
| Efficiency | 55.1 % | Duty | Continuous |
| Insulation Class | F | Frame | 48Y |
| Enclosure | Totally Enclosed Non Ventilated | Overload Protector | No |
| Ambient Temperature | 40 °C | Drive End Bearing Size | 6203 |
| Opp Drive End Bearing Size | 6203 | UL | Recognized |
| CSA | Y | CE | N |

Technical Specifications

| | | | |
|-----------------|----------------------|--------------------|-----------------|
| Rotation | Reversible | Mounting | Special |
| Shaft Type | Parallel | Overall Length | 13.61 in |
| Frame Length | 4.47 in | Shaft Diameter | 0.750 in |
| Shaft Extension | 1.5 in | | |
| Outline Drawing | 032034-108729 | Connection Diagram | NONE |

This is an uncontrolled document once printed or downloaded and is subject to change without notice. Date Created: 10/15/2018



NOTES:
 1) GEARBOX OIL: MOBIL-MOBIL GEAR 600XP-320

| | | | | | |
|-------------|-------|----------|------------|-----|---------------------|
| 108730.00 | 12 | 1/4 | 29:1 | 60 | 238 |
| 108729.00 | 12 | 1/4 | 212:1 | 8 | 1087 |
| CATALOG No. | VOLTS | INPUT HP | GEAR RATIO | RPM | F.L. TORQUE (LB-IN) |

| | | | | | | | |
|--------------------------------|--|-----------------------------|--|---------------------------------------|--|-------------------|--|
| | | TOLERANCES UNLESS SPECIFIED | | ELECTRIC MOTORS GEARMOTORS AND DRIVES | | DRAWN IPG 6/15/10 | |
| | | DEC INCHES | | LEESON | | CHK | |
| | | X ±.1 | | TITLE OUTLINE | | APPR | |
| | | .XX ±.03 | | 48 FRAME DC - P1100 GEARBOX | | SCALE 1:2 | |
| | | .XXX ±.005 | | MATL | | REF 031612 | |
| | | .XXX ±.005 | | FINISH | | FMF 108729.00 | |
| RELEASED: REF. 031612 & 032033 | | IPG 6/15/2010 | | RFP | | PAGE OF | |
| NO | | REVISION | | BY & DATE | | PREV | |
| THIRD ANGLE PROJECTION | | CHK ANG ±1/2° | | RFP | | SIZE DRAWING NO | |
| | | RFP | | PREV | | B 032034 | |
| | | NETWORK FILE NAME 032034 | | | | REV | |