

PRODUCT INFORMATION PACKET



Model No: C4D17FZ28C

Catalog No: 108712.00

..1/2HP..135RPM.P1102-48.TEFC.90V..DC.....C4D17FZ28C.P1100...13:1.DC GEARMOTORS

FHP..210LBIN..DOUBLE....

P1100 Series



Regal and Leeson are trademarks of Regal Beloit Corporation or one of its affiliated companies.

©2018 Regal Beloit Corporation, All Rights Reserved. MC017097E





Nameplate Specifications

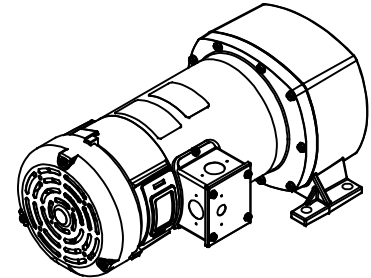
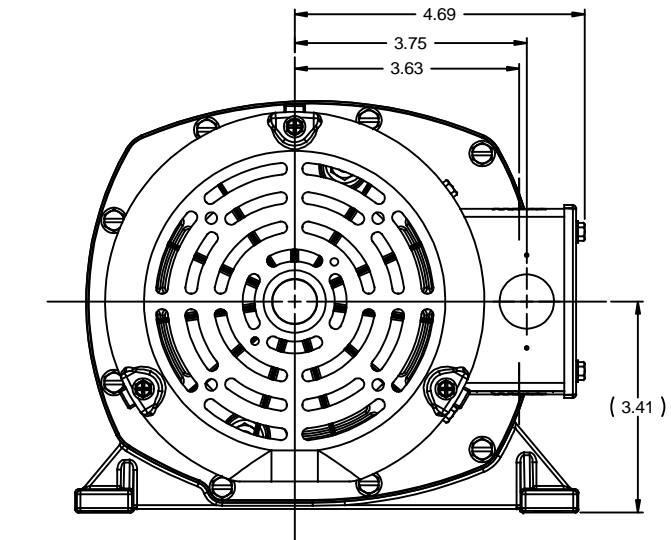
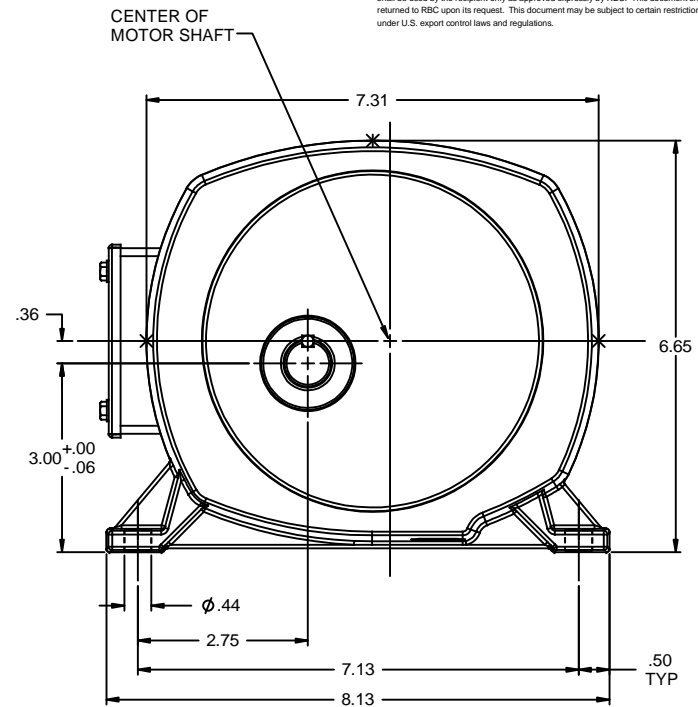
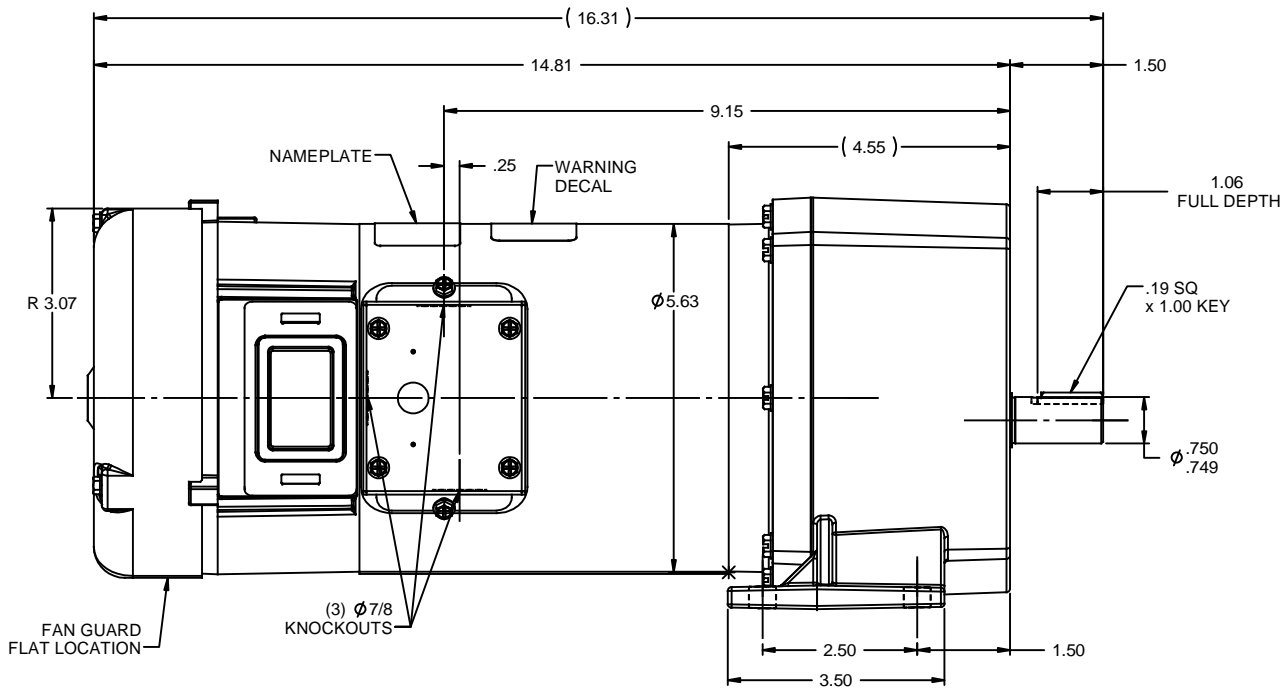
| | | | |
|----------------------------|------------------------------------|------------------------|-------------------|
| Output HP | 0.50 Hp | Output KW | 0.37 kW |
| Voltage | 90 V | Current | 5.0 A |
| Speed | 135 rpm | Service Factor | 1 |
| Efficiency | 71.9 % | Duty | Continuous |
| Insulation Class | F | Frame | 48Y |
| Enclosure | Totally Enclosed Fan Cooled | Overload Protector | No |
| Ambient Temperature | 40 °C | Drive End Bearing Size | 6203 |
| Opp Drive End Bearing Size | 6203 | UL | Recognized |
| CSA | Y | CE | N |

Technical Specifications

| | | | |
|-----------------|----------------------|--------------------|-----------------|
| Rotation | Reversible | Mounting | Special |
| Shaft Type | Parallel | Overall Length | 16.31 in |
| Frame Length | 5.97 in | Shaft Diameter | 0.750 in |
| Shaft Extension | 1.5 in | | |
| Outline Drawing | 032031-108712 | Connection Diagram | NONE |

This is an uncontrolled document once printed or downloaded and is subject to change without notice. Date Created: 10/15/2018

RBC PROPRIETARY AND CONFIDENTIAL INFORMATION
 This document is the property of REGAL BELOIT CORPORATION ("RBC") including its subsidiaries and divisions and contains proprietary information of RBC. This document is loaned on the express condition that neither it nor the information contained therein shall be disclosed to others without the express written consent of RBC, and that the information shall be used by the recipient only as approved expressly by RBC. This document shall be returned to RBC upon its request. This document may be subject to certain restrictions under U.S. export control laws and regulations.



NOTES:
 1) GEARBOX OIL: MOBIL-MOBIL GEAR 600XP-320

| 108712.00 | 90 | 1/2 | 13:1 | 135 | 210 |
|-------------|-------|----------|------------|-----|---------------------|
| 108711.00 | 90 | 1/2 | 19:1 | 92 | 320 |
| 108710.00 | 90 | 1/2 | 29:1 | 60 | 476 |
| 108709.00 | 90 | 1/2 | 42:1 | 42 | 705 |
| 108708.00 | 90 | 1/2 | 53:1 | 33 | 822 |
| 108707.00 | 90 | 1/2 | 95:1 | 18 | 1112 |
| CATALOG No. | VOLTS | INPUT HP | GEAR RATIO | RPM | F.L. TORQUE (LB-IN) |

| TOLERANCES UNLESS SPECIFIED | | | ELECTRIC MOTORS GEARMOTORS AND DRIVES | | DRAWN |
|-----------------------------|--------------------------------|-----------------------------|---------------------------------------|------------|------------|
| DEC | INCHES | LEESON | | IPG 6/2/10 | CHK |
| X | ±.1 | TITLE | | PG 6/2/10 | APPR |
| .XX | ±.03 | OUTLINE | | SCALE | 1:2 |
| .XXX | ±.005 | 48 FRAME DC - P1100 GEARBOX | | REF | 031211 |
| 00 | RELEASED: REF. 031211 & 031879 | IPG | 6/2/2010 | PG | XXX ±.0005 |
| NO | REVISION | BY & DATE | CHK | ANG | ±1/2° |
| THIRD ANGLE PROJECTION | | | RFP | PREV | FINISH |
| | | | NETWORK FILE NAME | 032031 | SIZE |
| | | | B | DRAWING NO | 032031 |
| | | | REV | 00 | |