

PRODUCT INFORMATION PACKET



Model No: C4D17NZ20C

Catalog No: 108703.00

..1/4HP..42RPM.P1102-48.TENV.90V..DC.....C4D17NZ20C.P1100...42:1.DC GEARMOTORS
FHP..353LBIN..DOUBLE....

P1100 Series



Regal and Leeson are trademarks of Regal Beloit Corporation or one of its affiliated companies.

©2018 Regal Beloit Corporation, All Rights Reserved. MC017097E





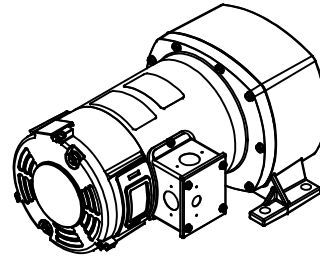
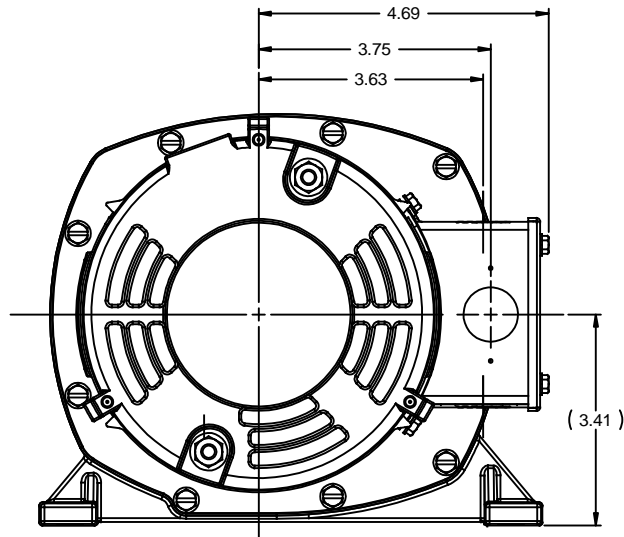
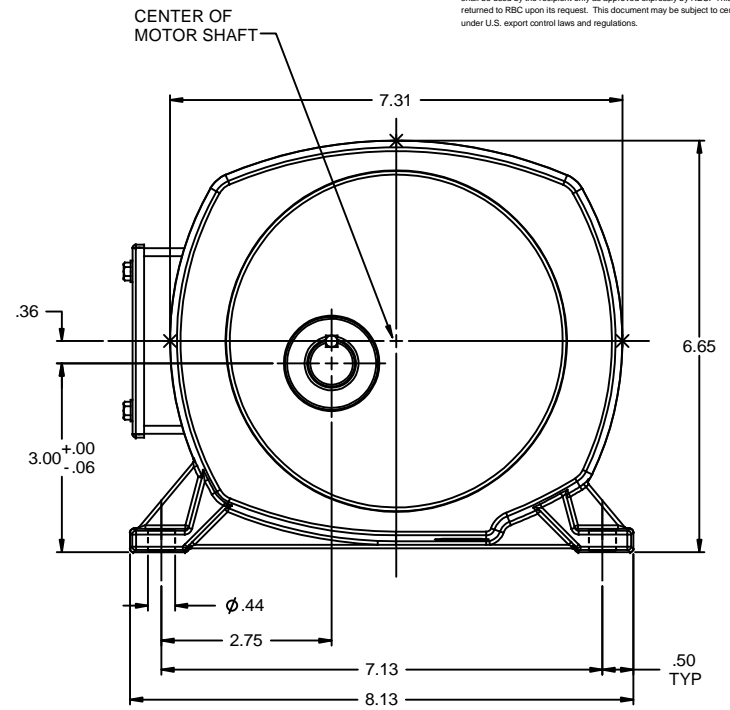
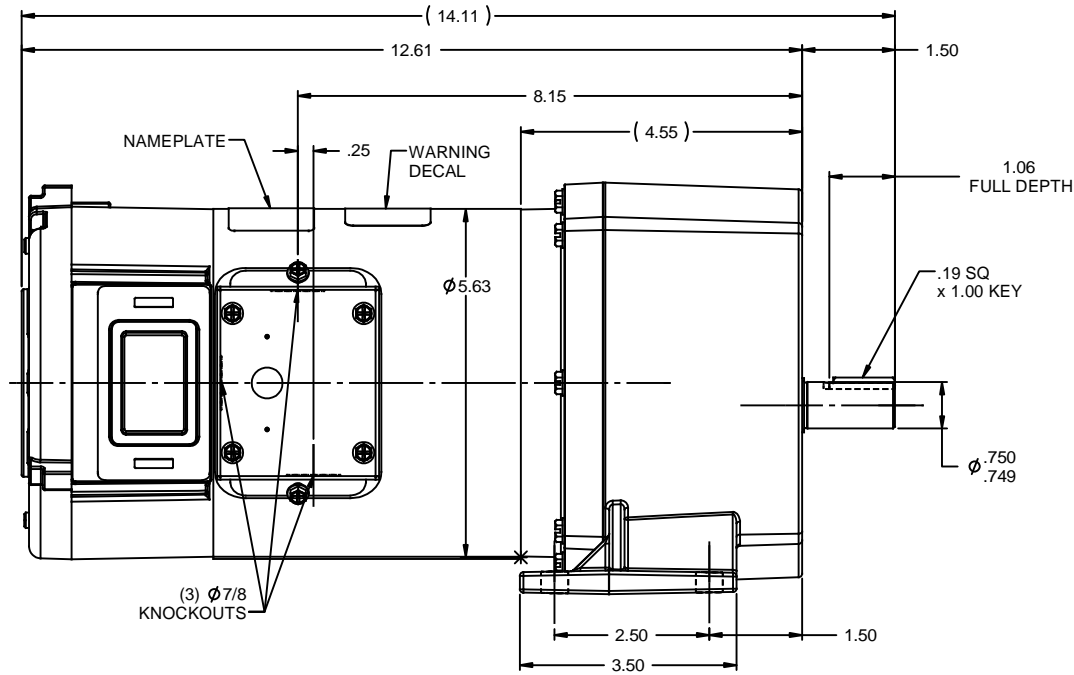
Nameplate Specifications

Output HP	0.25 Hp	Output KW	0.19 kW
Voltage	90 V	Current	2.7 A
Speed	42 rpm	Service Factor	1
Efficiency	64.9 %	Duty	Continuous
Insulation Class	F	Frame	48Y
Enclosure	Totally Enclosed Non Ventilated	Overload Protector	No
Ambient Temperature	40 °C	Drive End Bearing Size	6203
Opp Drive End Bearing Size	6203	UL	Recognized
CSA	Y	CE	N

Technical Specifications

Rotation	Reversible	Mounting	Special
Shaft Type	Parallel	Overall Length	14.11 in
Frame Length	4.97 in	Shaft Diameter	0.750 in
Shaft Extension	1.5 in		
Outline Drawing	032033-108703	Connection Diagram	NONE

This is an uncontrolled document once printed or downloaded and is subject to change without notice. Date Created: 10/15/2018



NOTES:
 1) GEARBOX OIL: MOBIL-MOBIL GEAR 600XP-320

CATALOG No.	VOLTS	INPUT HP	GEAR RATIO	RPM	F.L. TORQUE (LB-IN)
108706.00	90	1/4	13:1	135	105
108705.00	90	1/4	19:1	92	160
108704.00	90	1/4	29:1	60	238
108703.00	90	1/4	42:1	42	353
108702.00	90	1/4	95:1	18	750
108701.00	90	1/4	143:1	12	1030
108700.00	90	1/4	212:1	8	1087

TOLERANCES UNLESS SPECIFIED		ELECTRIC MOTORS GEARMOTORS AND DRIVES		DRAWN IPG 6/9/10	
DEC	INCHES	LEESON		CHK	APPR
X	±.1	TITLE OUTLINE 48 FRAME DC - P1100 GEARBOX		SCALE	1:2
.XX	±.03			REF	031210
.XXX	±.005			FMF	108700.00
RELEASED: REF. 031210 & 032031		IPG 6/9/2010	MATL	PAGE OF	
NO	REVISION	BY & DATE	CHK ANG ±1/2°	FINISH	
THIRD ANGLE PROJECTION		RFP	PREV	SIZE	DRAWING NO
		NETWORK FILE NAME	032033	B	032033