

# PRODUCT INFORMATION PACKET



Model No: CI4D17FT2C

Catalog No: 108370.00

...75KW-1HP..1800RPM.80.IP54.180V...S1.40C.1,0SF.SPECIAL.CI4D17FT2C.....DC METRIC.....

Metric Motors



Regal and Leeson are trademarks of Regal Beloit Corporation or one of its affiliated companies.

©2018 Regal Beloit Corporation, All Rights Reserved. MC017097E





### Nameplate Specifications

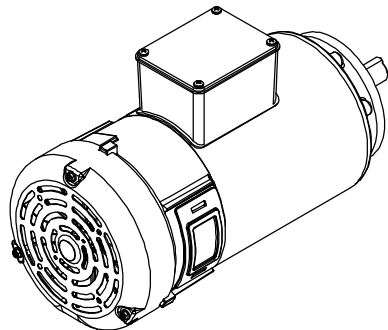
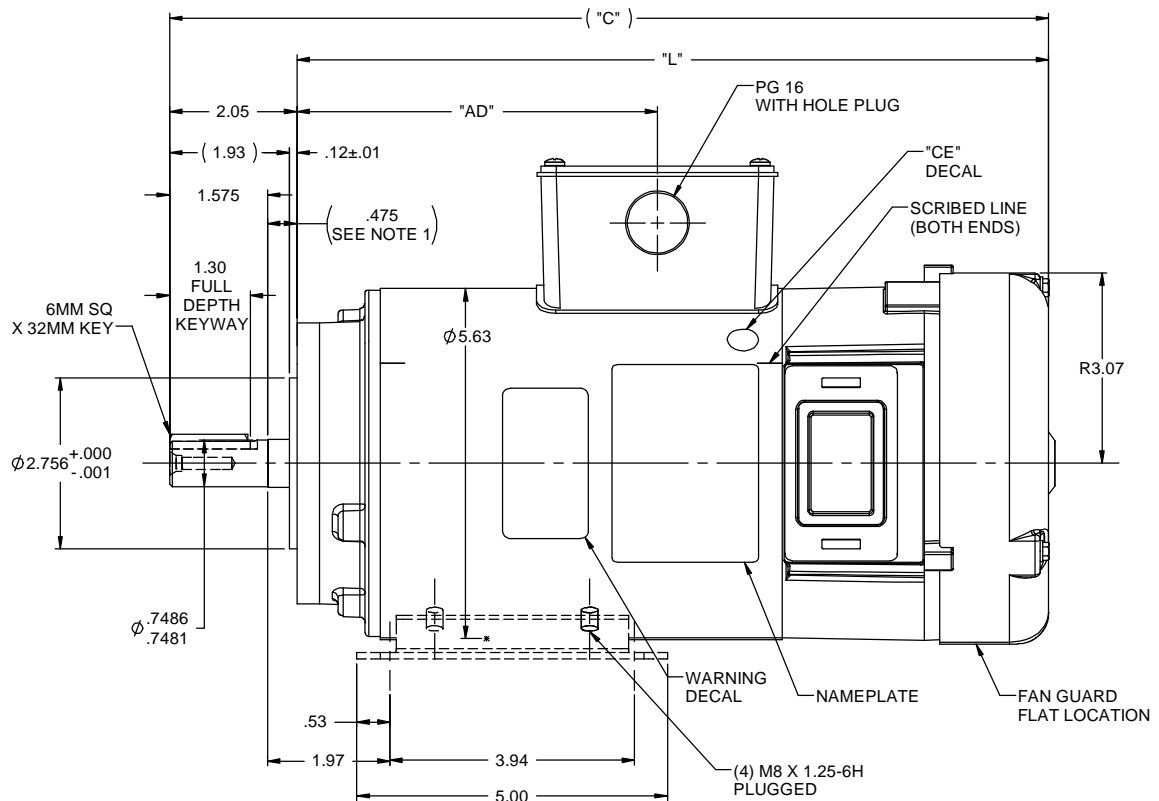
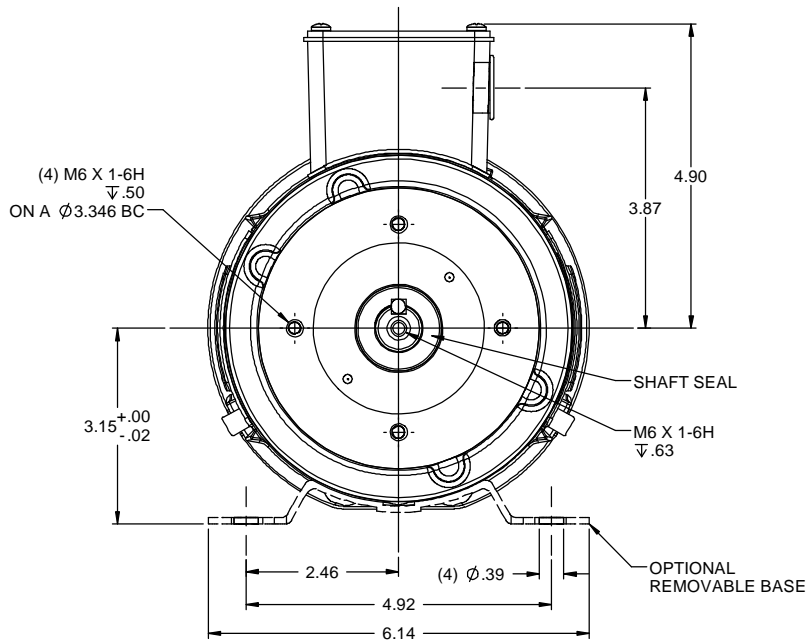
Output KW	1.1 kW	Voltage	180 V
Current	6.7 A	Speed	1800 rpm
Service Factor	1	Efficiency	85 %
Duty	S1	Insulation Class	F
Frame	80	Enclosure	IP54
Overload Protector	No	Ambient Temperature	40 °C
Drive End Bearing Size	6204	Opp Drive End Bearing Size	6203
UL	Recognized	CSA	Y
CE	Y		

### Technical Specifications

Rotation	Reversible	Mounting	Special
Overall Length	15.15 in	Frame Length	7.47 in
Shaft Diameter	0.750 in	Shaft Extension	2.05 in
Outline Drawing	031898-108370		

This is an uncontrolled document once printed or downloaded and is subject to change without notice. Date Created: 10/15/2018

RBC PROPRIETARY AND CONFIDENTIAL INFORMATION  
 This document is the property of REGAL BELOIT CORPORATION ("RBC") including its subsidiaries and divisions and contains proprietary information of RBC. This document is loaned on the express condition that neither it nor the information contained therein shall be disclosed to others without the express written consent of RBC, and that the information shall be used by the recipient only as approved expressly by RBC. This document shall be returned to RBC upon its request. This document may be subject to certain restrictions under U.S. export control laws and regulations.



- NOTES:  
 1) DIMENSION IS SPACE PROVIDED FOR A BOLT-ON B5 OR B14 ADAPTER KIT FOR THE IEC 80 FRAME.  
 2) MAXIMUM FACE RUNOUT TO BE .004 T.I.R.  
 3) MAXIMUM PILOT ECCENTRICITY .004 T.I.R.  
 4) PERMISSIBLE SHAFT RUNOUT .002 T.I.R.  
 5) GASKETS THROUGHOUT.

CATALOG No.	"C"	"L"	"AD"	VOLTS	K.W.	RPM
108369.00	14.15	12.10	5.81	180	.55	1800
108370.00	15.15	13.10	6.81	180	.75	1800
108371.00	17.15	15.10	8.81	180	1.1	1800
108372.00	14.15	12.10	5.81	180	.75	3000
108373.00	15.15	13.10	6.81	180	1.1	3000

04	CHANGED 1.93 & .475 DIMS TO REF. ISAAC 12-1122	IPG	3/27/12	TOLERANCES UNLESS SPECIFIED				
03	ADDED NOTE ABOUT FAN GUARD FLAT LOCATION, ISAAC	IPG	12/9/09	DEC INCHES				
	09-4813			X ±.1				
02	CAT. # 108371.00: "C" WAS 17.65, "L" WAS 15.60, "AD" WAS	IPG	5/14/09	SK XX ±.03	TITLE	OUTLINE		
	9.31, ISAAC 09-1828			XXX ±.005		48 FRAME DC - IEC 80		
01	UPDATED SCRIBED LINE LOCATION PER FRAME CHANGE.	IPG	2/18/09	SK XXXX ±.0005	MATL			
NO	REVISION	BY & DATE	CHK LANG ±1/2"	FINISH				
THIRD ANGLE PROJECTION				RF	PREV	SIZE	DRAWING NO	REV
				NETWORK FILE NAME	031898	<b>B</b>	<b>031898</b>	<b>04</b>



**ELECTRIC MOTORS  
 GEARMOTORS  
 AND DRIVES**

DRAWN IPG 6/24/08  
 CHK BC 6/24/08  
 APPR

SCALE 1:2  
 REF 030855  
 FMF 108369.75  
 PAGE OF