

PRODUCT INFORMATION PACKET



Model No: CI4D17FT1C

Catalog No: 108369.00

...55KW-3/4HP..1800RPM.80.IP54.180V...S1.40C.1,0SF.SPECIAL.CI4D17FT1C.....DC METRIC.....

Metric Motors



Regal and Leeson are trademarks of Regal Beloit Corporation or one of its affiliated companies.

©2018 Regal Beloit Corporation, All Rights Reserved. MC017097E





Nameplate Specifications

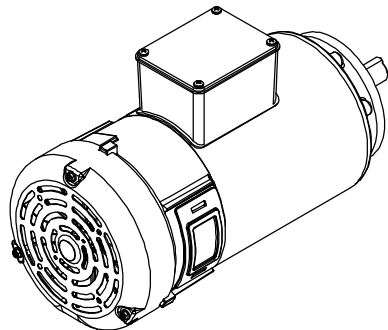
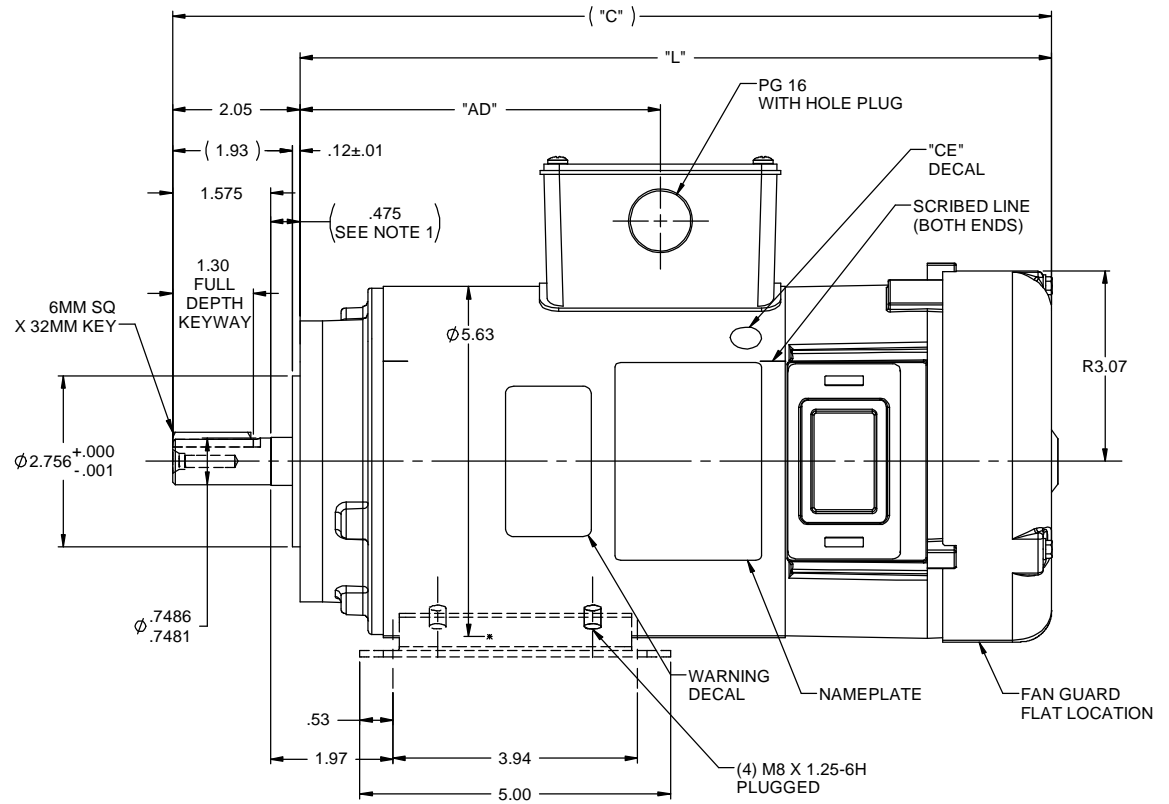
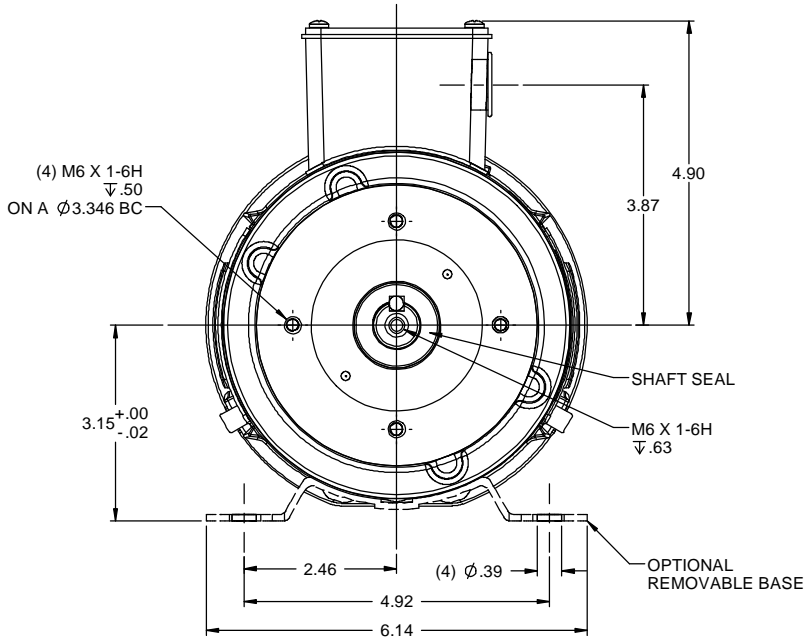
Output KW	0.75 kW	Voltage	180 V
Current	4.9 A	Speed	1800 rpm
Service Factor	1	Efficiency	82 %
Duty	S1	Insulation Class	F
Frame	80	Enclosure	IP54
Overload Protector	No	Ambient Temperature	40 °C
Drive End Bearing Size	6204	Opp Drive End Bearing Size	6203
UL	Recognized	CSA	Y
CE	Y		

Technical Specifications

Rotation	Reversible	Mounting	Special
Overall Length	14.15 in	Frame Length	6.47 in
Shaft Diameter	0.750 in	Shaft Extension	2.05 in
Outline Drawing	031898-108369		

This is an uncontrolled document once printed or downloaded and is subject to change without notice. Date Created: 10/15/2018

RBC PROPRIETARY AND CONFIDENTIAL INFORMATION
 This document is the property of REGAL BELOIT CORPORATION ("RBC") including its subsidiaries and divisions and contains proprietary information of RBC. This document is loaned on the express condition that neither it nor the information contained therein shall be disclosed to others without the express written consent of RBC, and that the information shall be used by the recipient only as approved expressly by RBC. This document shall be returned to RBC upon its request. This document may be subject to certain restrictions under U.S. export control laws and regulations.



- NOTES:**
 1) DIMENSION IS SPACE PROVIDED FOR A BOLT-ON B5 OR B14 ADAPTER KIT FOR THE IEC 80 FRAME.
 2) MAXIMUM FACE RUNOUT TO BE .004 T.I.R.
 3) MAXIMUM PILOT ECCENTRICITY .004 T.I.R.
 4) PERMISSIBLE SHAFT RUNOUT .002 T.I.R.
 5) GASKETS THROUGHOUT.

CATALOG No.	"C"	"L"	"AD"	VOLTS	K.W.	RPM
108369.00	14.15	12.10	5.81	180	.55	1800
108370.00	15.15	13.10	6.81	180	.75	1800
108371.00	17.15	15.10	8.81	180	1.1	1800
108372.00	14.15	12.10	5.81	180	.75	3000
108373.00	15.15	13.10	6.81	180	1.1	3000

NO	REVISION	BY & DATE	CHK	LANG	±1/2"	FINISH
04	CHANGED 1.93 & .475 DIMS TO REF. ISAAC 12-1122	IPG 3/27/12				
03	ADDED NOTE ABOUT FAN GUARD FLAT LOCATION, ISAAC 09-4813	IPG 12/9/09				
02	CAT. # 108371.00: "C" WAS 17.65, "L" WAS 15.60, "AD" WAS 9.31, ISAAC 09-1828	IPG 5/14/09	SK	XX	±.03	
01	UPDATED SCRIBED LINE LOCATION PER FRAME CHANGE.	IPG 2/18/09	SK	XXXX	±.0005	

LEESON		ELECTRIC MOTORS GEARMOTORS AND DRIVES	DRAWN CHK APPR	IPG 6/24/08 BC 6/24/08
TITLE OUTLINE 48 FRAME DC - IEC 80			SCALE REF	1:2 030855
MATERIAL			FMF	108369.75
FINISH			PAGE	OF
RFP NETWORK FILE NAME 031898			SIZE DRAWING NO	REV
			B	031898 04