

PRODUCT INFORMATION PACKET



Model No: C4D17FK19F

Catalog No: 108262.00

1.5HP.1750RPM.S56CZ.TEFC.180V.CONT.40C.1.0SF.RIGID C.DC NEMA.C4D17FK19F
SCR



Regal and Leeson are trademarks of Regal Beloit Corporation or one of its affiliated companies.

©2018 Regal Beloit Corporation, All Rights Reserved. MC017097E





Nameplate Specifications

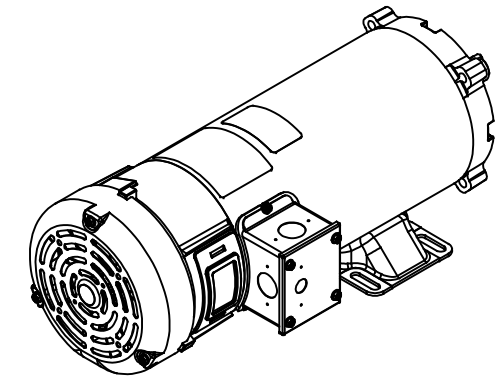
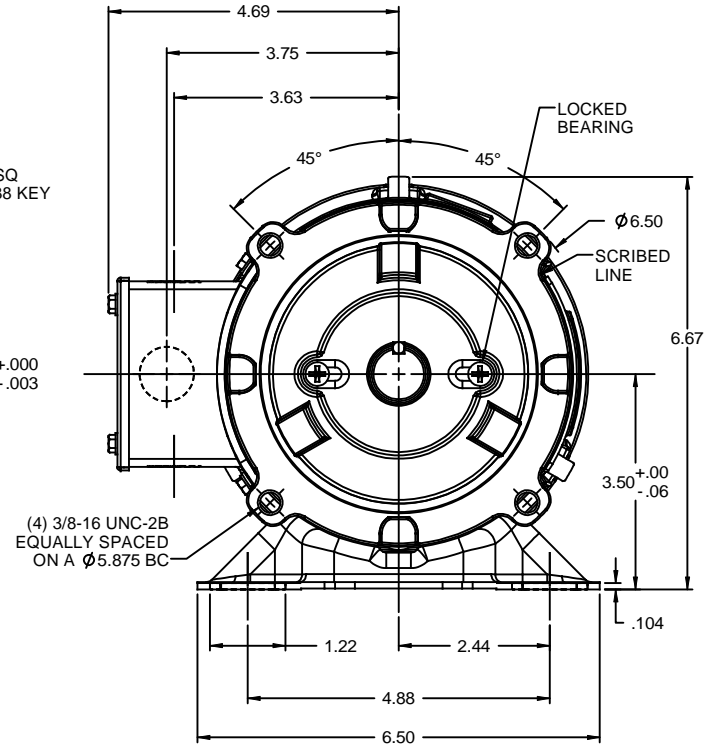
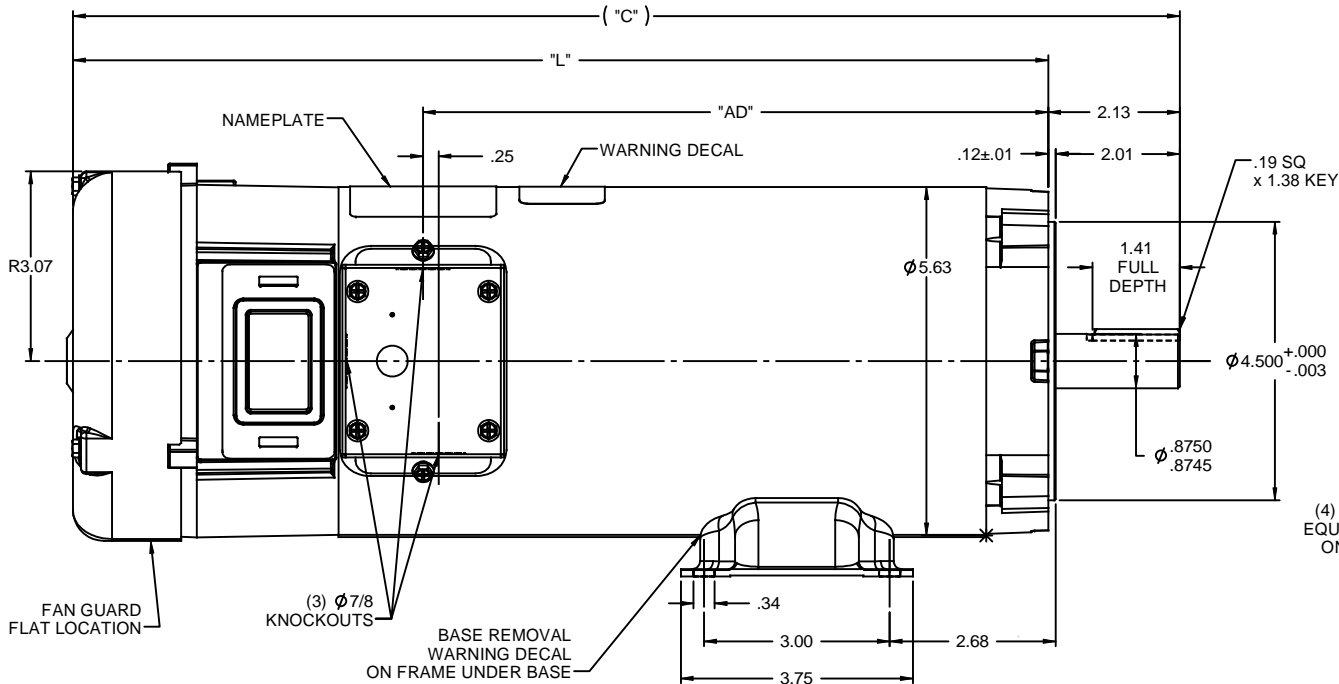
Output HP	1.50 Hp	Output KW	1.1 kW
Voltage	180 V	Current	7.6 A
Speed	1750 rpm	Service Factor	1
Efficiency	86.5 %	Duty	Continuous
Insulation Class	H	Frame	S56CZ
Enclosure	Totally Enclosed Fan Cooled	Overload Protector	No
Ambient Temperature	40 °C	Drive End Bearing Size	6205
Opp Drive End Bearing Size	6203	UL	Recognized
CSA	Y	CE	N

Technical Specifications

Rotation	Reversible	Mounting	Rigid C base
Overall Length	17.39 in	Frame Length	9.97 in
Shaft Diameter	0.875 in	Shaft Extension	2.13 in
Outline Drawing	031897-108262		

This is an uncontrolled document once printed or downloaded and is subject to change without notice. Date Created: 10/15/2018

RBC PROPRIETARY AND CONFIDENTIAL INFORMATION
 This document is the property of REGAL BELOIT CORPORATION ("RBC") including its subsidiaries and divisions and contains proprietary information of RBC. This document is loaned on the express condition that neither it nor the information contained therein shall be disclosed to others without the express written consent of RBC, and that the information shall be used by the recipient only as approved expressly by RBC. This document shall be returned to RBC upon its request. This document may be subject to certain restrictions under U.S. export control laws and regulations.



108266.00	17.89	15.76	10.10	180	2	2500
108262.00	17.39	15.26	9.60	180	1 1/2	1750
CATALOG No.	"C"	"L"	"AD"	VOLTS	H.P.	RPM

- NOTES:
 1) MAXIMUM FACE RUNOUT .004 T.I.R.
 2) MAXIMUM PILOT ECCENTRICITY .004 T.I.R.
 3) PERMISSIBLE SHAFT RUNOUT .002 T.I.R.
 4) GASKETS THROUGHOUT.

				TOLERANCES UNLESS SPECIFIED		LEESON ELECTRIC MOTORS GEARMOTORS AND DRIVES		DRAWN IPG 4/8/08	
02	ADDED NOTE ABOUT FAN GUARD FLAT LOCATION. ISAAC	IPG	12/9/2009	DEC	INCHES			CHK	BC 4/8/08
	09-4813			X	±.1			APPR	
01	CAT. # 108262.00: "C" WAS 17.89, "L" WAS 15.76, "AD" WAS 10.10, ISAAC 09-1828	IPG	5/14/2009	SK	.XX ±.03	TITLE	OUTLINE	SCALE	1:2
	RELEASED: REF. 031879 & 030704	IPG	4/8/2008	BC	.XXX ±.005		48 FRAME DC - S56CZ MOUNT	REF	031879
					.XXX ±.0005	MATL		FMF	108262.75
NO	REVISION	BY & DATE	CHK	ANG	±1/2"	FINISH		PAGE	OF
			RFP			PREV		SIZE	DRAWING NO
	THIRD ANGLE PROJECTION							B	031897
					NETWORK FILE NAME				REV
									02