

PRODUCT INFORMATION PACKET



Model No: C4D17FK9E

Catalog No: 108053.00

..1HP..1800RPM.S56C.TEFC.24V...CONT.40C.1.0SF.RIGID C.C4D17FK9.....DC NEMA LOW VOLTAGE.....

Low Voltage



Regal and Leeson are trademarks of Regal Beloit Corporation or one of its affiliated companies.

©2018 Regal Beloit Corporation, All Rights Reserved. MC017097E





Nameplate Specifications

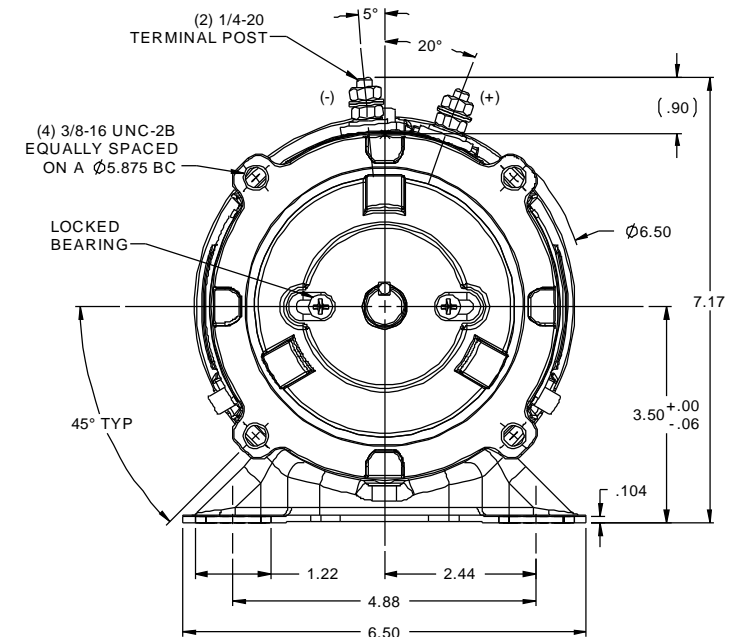
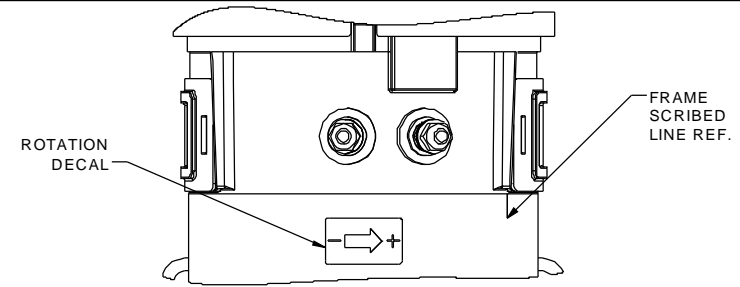
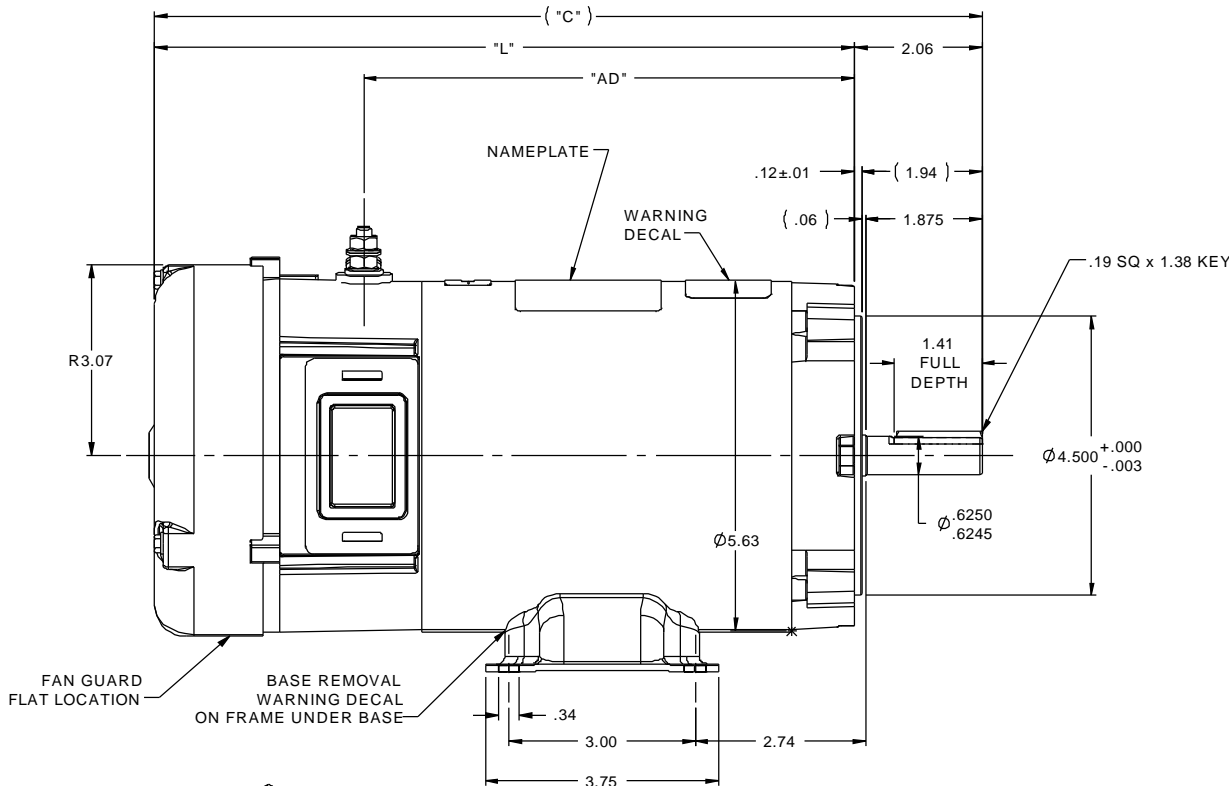
Output HP	1 Hp	Output KW	0.75 kW
Voltage	24 V	Current	39.0 A
Speed	1800 rpm	Service Factor	1
Efficiency	81.3 %	Duty	Continuous
Insulation Class	H	Frame	S56C
Enclosure	Totally Enclosed Fan Cooled	Overload Protector	No
Ambient Temperature	40 °C	Drive End Bearing Size	6203
Opp Drive End Bearing Size	6203	UL	Recognized
CSA	Y	CE	N

Technical Specifications

Rotation	Reversible	Mounting	Rigid C base
Overall Length	13.82 in	Frame Length	6.47 in
Shaft Diameter	0.625 in	Shaft Extension	2.06 in
Outline Drawing	031886-108053		

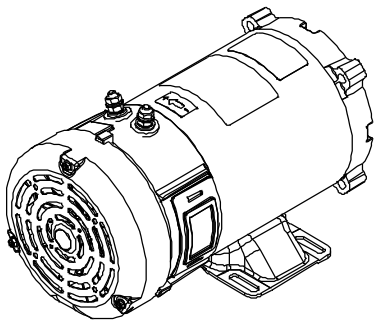
This is an uncontrolled document once printed or downloaded and is subject to change without notice. Date Created: 10/15/2018

RBC PROPRIETARY AND CONFIDENTIAL INFORMATION
 This document is the property of REGAL BELOIT CORPORATION ("RBC") including its subsidiaries and divisions and contains proprietary information of RBC. This document is loaned on the express condition that neither the information contained therein shall be disclosed to others without the express written consent of RBC, and that the information shall be used by the recipient only as approved expressly by RBC. This document shall be returned to RBC upon its request. This document may be subject to certain restrictions under U.S. export control laws and regulations.



- NOTES:
 1) MAXIMUM FACE RUNOUT .004 T.I.R.
 2) MAXIMUM PILOT ECCENTRICITY .004 T.I.R.
 3) PERMISSIBLE SHAFT RUNOUT .002 T.I.R.
 4) GASKETS THROUGHOUT.

108053.00	13.82	11.76	8.40	24	1	1800
108048.00	13.32	11.26	7.90	12	3/4	1800
CATALOG No.	"C"	"L"	"AD"	VOLTS	H.P.	RPM



02 ADDED EXTRA VIEW PER MFG REQUEST		JJM 9/18/2013	X	±.1	TITLE OUTLINE 48 FRAME DC	LEESON ELECTRIC MOTORS GEARMOTORS AND DRIVES	DRAWN IPG 4/9/08
01 ADDED NOTE ABOUT FAN GUARD FLAT LOCATION, ISAAC		IPG 12/4/2009	XX	±.03		SCALE 1:2	CHK BC 4/9/08
09-4813			XXX	±.005	MAT'L	REF 031186	APPR
RELEASED		IPG 4/9/2008	BC	XXXX ±.0005	FINISH	FMF 108048.75	
NO	REVISION	BY & DATE	CHK	ANG ±1/2°	PREV	PAGE OF	
THIRD ANGLE PROJECTION			RFP		NETWORK FILE NAME 031186	SIZE B	DRAWING NO 031886
							REV 02