

PRODUCT INFORMATION PACKET



Model No: C4D17NK10D

Catalog No: 108051.00

1/2HP.1800RPM.S56C.TENV.24V.CONT.40C.1.0SF.RIGID C.DC NEMA LOW VOLTAGE.C4D17NK10D
Low Voltage



Regal and Leeson are trademarks of Regal Beloit Corporation or one of its affiliated companies.

©2018 Regal Beloit Corporation, All Rights Reserved. MC017097E





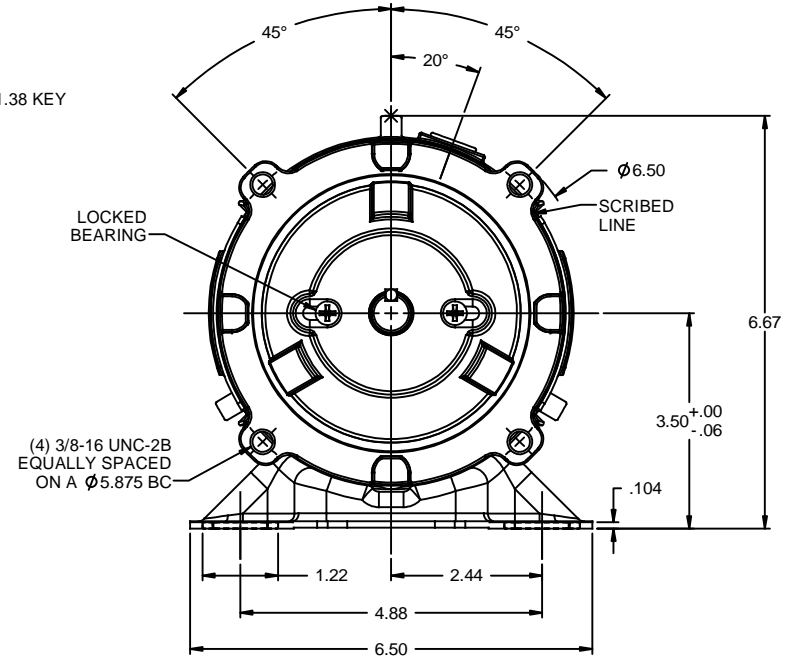
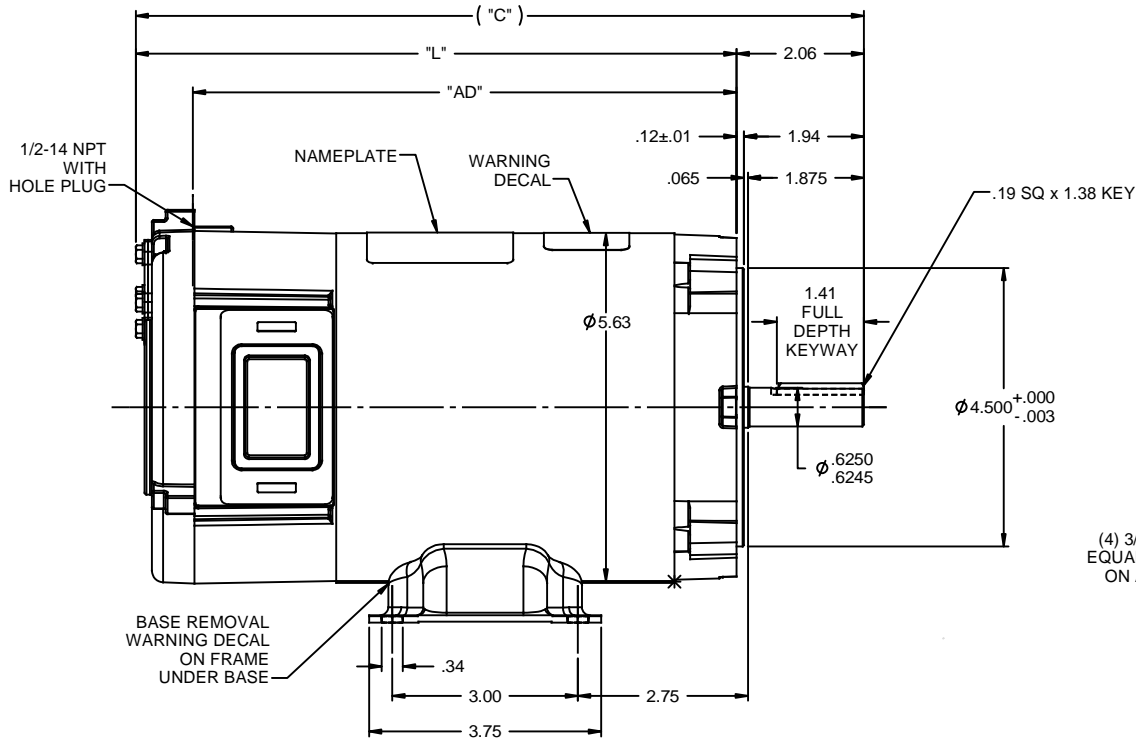
Nameplate Specifications

| | | | |
|----------------------------|---------------------------------|------------------------|------------|
| Output HP | 0.50 Hp | Output KW | 0.37 kW |
| Voltage | 24 V | Current | 20.0 A |
| Speed | 1800 rpm | Service Factor | 1 |
| Efficiency | 77 % | Duty | Continuous |
| Insulation Class | F | Frame | S56C |
| Enclosure | Totally Enclosed Non Ventilated | Overload Protector | No |
| Ambient Temperature | 40 °C | Drive End Bearing Size | 6203 |
| Opp Drive End Bearing Size | 6203 | UL | Recognized |
| CSA | Y | CE | N |

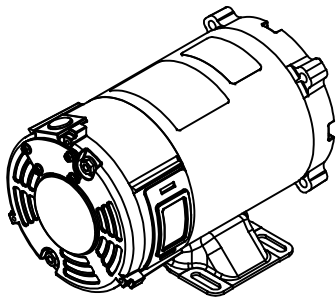
Technical Specifications

| | | | |
|-----------------|---------------|-----------------|--------------|
| Rotation | Reversible | Mounting | Rigid C base |
| Overall Length | 11.77 in | Frame Length | 5.47 in |
| Shaft Diameter | 0.625 in | Shaft Extension | 2.06 in |
| Outline Drawing | 031880-108051 | | |

This is an uncontrolled document once printed or downloaded and is subject to change without notice. Date Created: 10/15/2018



BASE REMOVAL WARNING DECAL ON FRAME UNDER BASE



- NOTES:
 1) MAXIMUM FACE RUNOUT .004 T.I.R.
 2) MAXIMUM PILOT ECCENTRICITY .004 T.I.R.
 3) PERMISSIBLE SHAFT RUNOUT .002 T.I.R.
 4) GASKETS THROUGHOUT

| | | | | | | |
|--------------------|------------|------------|-------------|--------------|-------------|------------|
| 108051.00 | 11.77 | 9.71 | 8.78 | 24 | 1/2 | 1800 |
| 108050.00 | 10.77 | 8.71 | 7.78 | 24 | 1/3 | 1800 |
| 108047.00 | 11.77 | 9.71 | 8.78 | 12 | 1/2 | 1800 |
| 108046.00 | 10.77 | 8.71 | 7.78 | 12 | 1/3 | 1800 |
| 108045.00 | 10.27 | 8.21 | 7.28 | 12 | 1/4 | 1800 |
| CATALOG No. | "C" | "L" | "AD" | VOLTS | H.P. | RPM |

| | | | | TOLERANCES UNLESS SPECIFIED | | LEESON ELECTRIC MOTORS GEARMOTORS AND DRIVES | | DRAWN IPG 3/26/08 | |
|--------------------------------|--|----------------|-----|-----------------------------|--------|--|---------|-------------------|---------------|
| | | | | DEC | INCHES | | | CHK BC 3/26/08 | |
| | | | | x | ±.1 | | | APPR | |
| 02 | ADDED 108045.00 TO TABLE | IPG 5/13/2010 | BC | XX | ±.03 | TITLE | OUTLINE | SCALE 1:2 | |
| 01 | ADDED 20 DEGREES FOR NPT HOLE LOCATION | IPG 12/11/2008 | SK | XXX | ±.005 | 48 FRAME DC | | REF 031879.00 | |
| RELEASED: REF. 031879 & 031185 | | IPG 3/26/2008 | BC | XXXX | ±.0005 | MATL | | FMF 108050.75 | |
| NO | REVISION | BY & DATE | CHK | ANG | ±1/2° | FINISH | | PAGE | OF |
| | | | | RFP | | PREV | | SIZE | DRAWING NO |
| THIRD ANGLE PROJECTION | | | | | | | | B | 031880 |
| | | | | NETWORK FILE NAME | | 031880 | | | REV |
| | | | | | | | | | 02 |