

# PRODUCT INFORMATION PACKET



Model No: C4D17FK7G

Catalog No: 108048.00

..3/4HP..1800RPM.S56C.TEFC.12V...CONT.40C.1.0SF.RIGID C.C4D17FK7.....DC NEMA LOW VOLTAGE.....

Low Voltage



Regal and Leeson are trademarks of Regal Beloit Corporation or one of its affiliated companies.

©2018 Regal Beloit Corporation, All Rights Reserved. MC017097E





### Nameplate Specifications

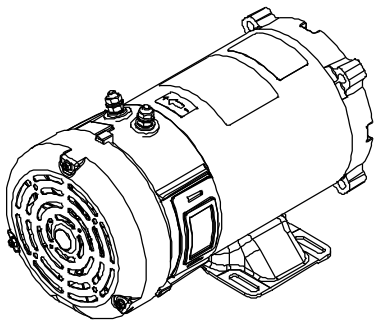
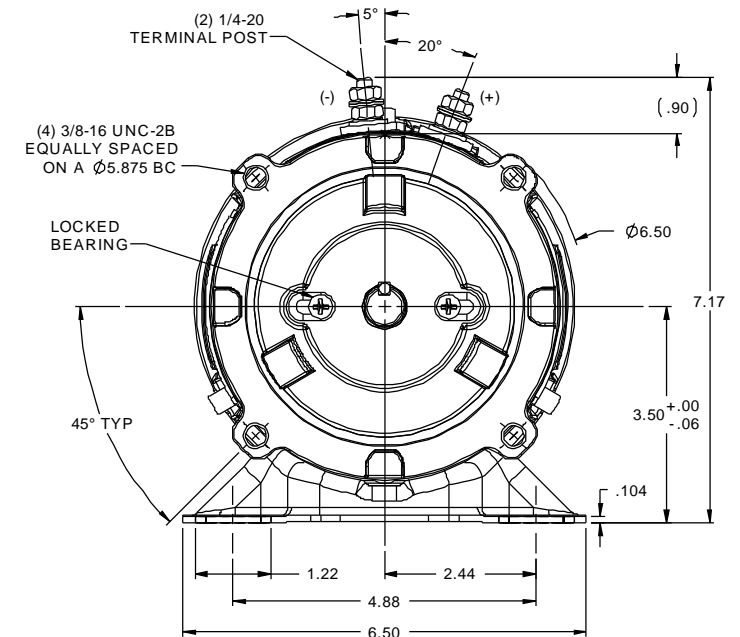
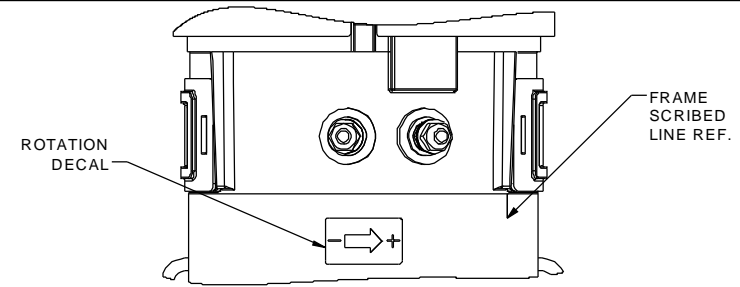
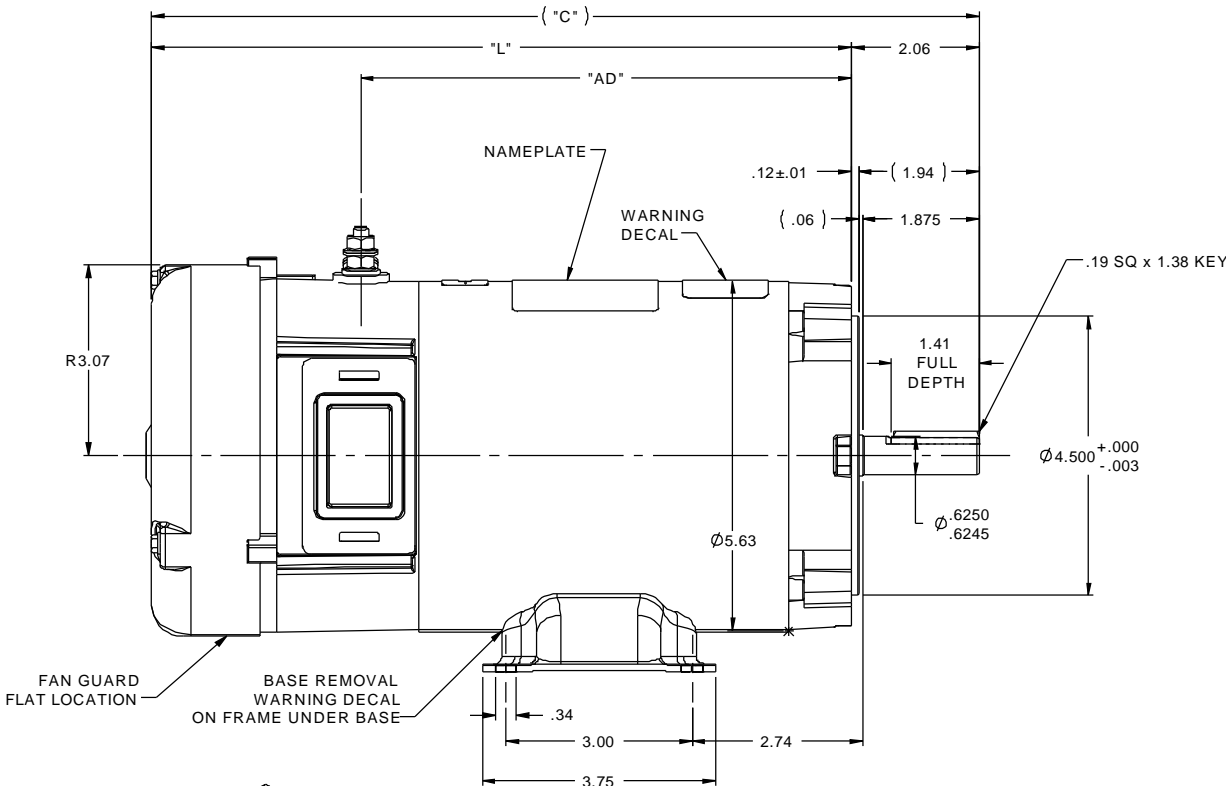
Output HP	<b>0.75 Hp</b>	Output KW	<b>0.56 kW</b>
Voltage	<b>12 V</b>	Current	<b>58.0 A</b>
Speed	<b>1800 rpm</b>	Service Factor	<b>1</b>
Efficiency	<b>79.9 %</b>	Duty	<b>Continuous</b>
Insulation Class	<b>F</b>	Frame	<b>S56C</b>
Enclosure	<b>Totally Enclosed Fan Cooled</b>	Overload Protector	<b>No</b>
Ambient Temperature	<b>40 °C</b>	Drive End Bearing Size	<b>6203</b>
Opp Drive End Bearing Size	<b>6203</b>	UL	<b>Recognized</b>
CSA	<b>Y</b>	CE	<b>N</b>

### Technical Specifications

Rotation	<b>Reversible</b>	Mounting	<b>Rigid C base</b>
Overall Length	<b>13.32 in</b>	Frame Length	<b>5.97 in</b>
Shaft Diameter	<b>0.625 in</b>	Shaft Extension	<b>2.06 in</b>
Outline Drawing	<b>031886-108048</b>		

**This is an uncontrolled document once printed or downloaded and is subject to change without notice. Date Created: 10/15/2018**

RBC PROPRIETARY AND CONFIDENTIAL INFORMATION  
 This document is the property of REGAL BELOIT CORPORATION ("RBC") including its subsidiaries and divisions and contains proprietary information of RBC. This document is loaned on the express condition that neither the information contained therein shall be disclosed to others without the express written consent of RBC, and that the information shall be used by the recipient only as approved expressly by RBC. This document shall be returned to RBC upon its request. This document may be subject to certain restrictions under U.S. export control laws and regulations.



- NOTES:  
 1) MAXIMUM FACE RUNOUT .004 T.I.R.  
 2) MAXIMUM PILOT ECCENTRICITY .004 T.I.R.  
 3) PERMISSIBLE SHAFT RUNOUT .002 T.I.R.  
 4) GASKETS THROUGHOUT.

108053.00	13.82	11.76	8.40	24	1	1800
108048.00	13.32	11.26	7.90	12	3/4	1800
CATALOG No.	"C"	"L"	"AD"	VOLTS	H.P.	RPM

02 ADDED EXTRA VIEW PER MFG REQUEST		JJM 9/18/2013	X	±.1	TITLE OUTLINE 48 FRAME DC	LEESON ELECTRIC MOTORS GEARMOTORS AND DRIVES	DRAWN IPG 4/9/08
01 ADDED NOTE ABOUT FAN GUARD FLAT LOCATION, ISAAC		IPG 12/4/2009	XX	±.03		SCALE 1:2	CHK BC 4/9/08
09-4813			XXX	±.005	MAT'L	REF 031186	APP'R
RELEASED		IPG 4/9/2008	BC	XXXX ±.0005	FINISH	FMF 108048.75	PAGE 0F
NO	REVISION	BY & DATE	CHK	ANG ±1/2°	PREV	NETWORK FILE NAME 031186	REV
THIRD ANGLE PROJECTION			RFP		SIZE B	DRAWING NO 031886	REV 02