

PRODUCT INFORMATION PACKET



Model No: C4D17NK6D

Catalog No: 108046.00

1/3HP.1800RPM.S56C.TENV.12V.CONT.40C.1.0SF.RIGID C.DC NEMA LOW VOLTAGE.C4D17NK6D
Low Voltage



Regal and Leeson are trademarks of Regal Beloit Corporation or one of its affiliated companies.

©2018 Regal Beloit Corporation, All Rights Reserved. MC017097E





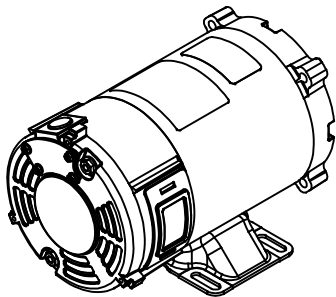
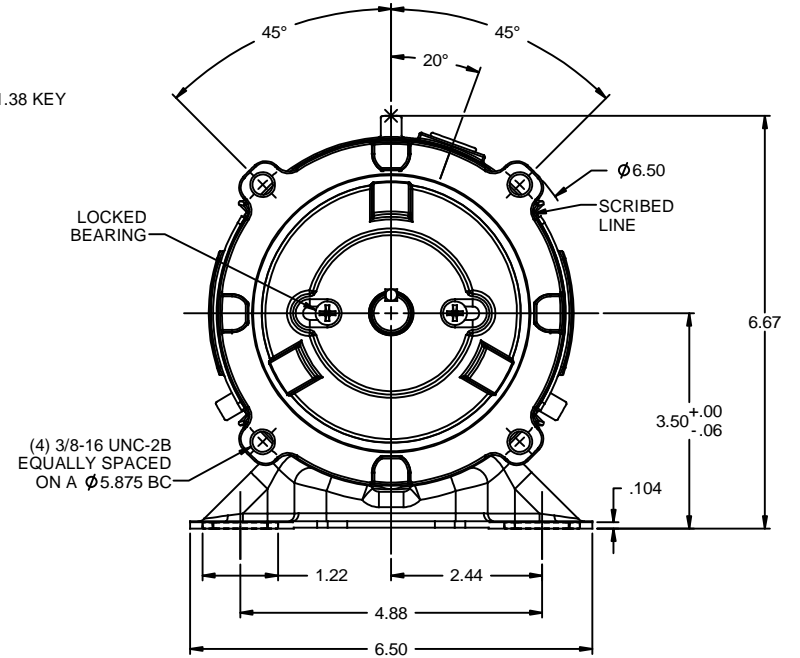
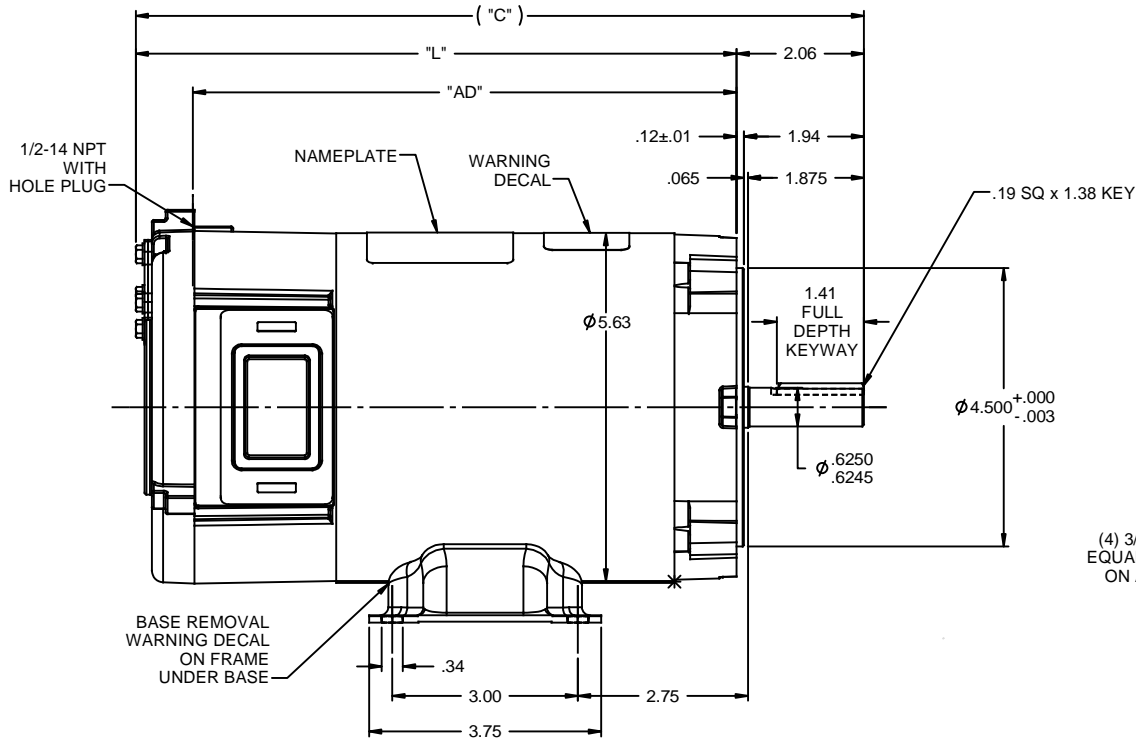
Nameplate Specifications

Output HP	0.33 Hp	Output KW	0.25 kW
Voltage	12 V	Current	27.0 A
Speed	1800 rpm	Service Factor	1
Efficiency	70.1 %	Duty	Continuous
Insulation Class	F	Frame	S56C
Enclosure	Totally Enclosed Non Ventilated	Overload Protector	No
Ambient Temperature	40 °C	Drive End Bearing Size	6203
Opp Drive End Bearing Size	6203	UL	Recognized
CSA	Y	CE	N

Technical Specifications

Rotation	Reversible	Mounting	Rigid C base
Overall Length	10.77 in	Frame Length	4.47 in
Shaft Diameter	0.625 in	Shaft Extension	2.06 in
Outline Drawing	031880-108046		

This is an uncontrolled document once printed or downloaded and is subject to change without notice. Date Created: 10/15/2018



- NOTES:
 1) MAXIMUM FACE RUNOUT .004 T.I.R.
 2) MAXIMUM PILOT ECCENTRICITY .004 T.I.R.
 3) PERMISSIBLE SHAFT RUNOUT .002 T.I.R.
 4) GASKETS THROUGHOUT

108051.00	11.77	9.71	8.78	24	1/2	1800
108050.00	10.77	8.71	7.78	24	1/3	1800
108047.00	11.77	9.71	8.78	12	1/2	1800
108046.00	10.77	8.71	7.78	12	1/3	1800
108045.00	10.27	8.21	7.28	12	1/4	1800
CATALOG No.	"C"	"L"	"AD"	VOLTS	H.P.	RPM

				TOLERANCES UNLESS SPECIFIED		ELECTRIC MOTORS GERMOTORS AND DRIVES		DRAWN IPG 3/26/08	
				DEC	INCHES			CHK BC 3/26/08	
				X	±.1	APPR			
02	ADDED 108045.00 TO TABLE	IPG 5/13/2010	BC	XX	±.03	TITLE OUTLINE		SCALE 1:2	
01	ADDED 20 DEGREES FOR NPT HOLE LOCATION	IPG 12/11/2008	SK	XXX	±.005	48 FRAME DC		REF 031879.00	
	RELEASED: REF. 031879 & 031185	IPG 3/26/2008	BC	XXXX	±.0005	MATL		FMF 108050.75	
NO	REVISION	BY & DATE	CHK	ANG	±1/2°	FINISH		PAGE OF	
	THIRD ANGLE PROJECTION		RFP	PREV		SIZE	DRAWING NO	REV	
				NETWORK FILE NAME	031880	B	031880	02	