

# PRODUCT INFORMATION PACKET



Model No: C4D17FK3J

Catalog No: 108018.00

..3/4HP..1750RPM.S56C.TEFC.90V...CONT.40C.1.0SF.RIGID C.C4D17FK3.....DC NEMA.....  
SCR



Regal and Leeson are trademarks of Regal Beloit Corporation or one of its affiliated companies.

©2018 Regal Beloit Corporation, All Rights Reserved. MC017097E





### Nameplate Specifications

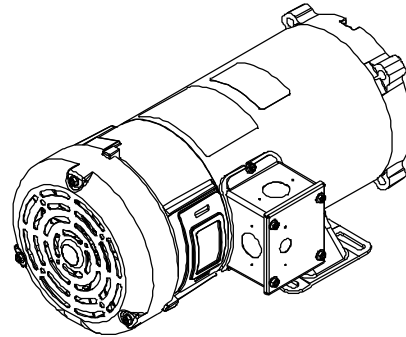
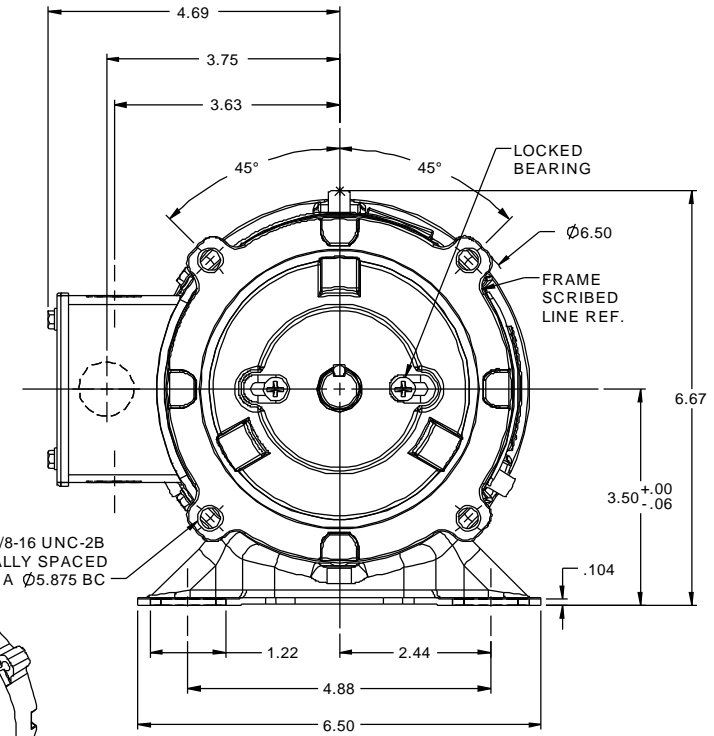
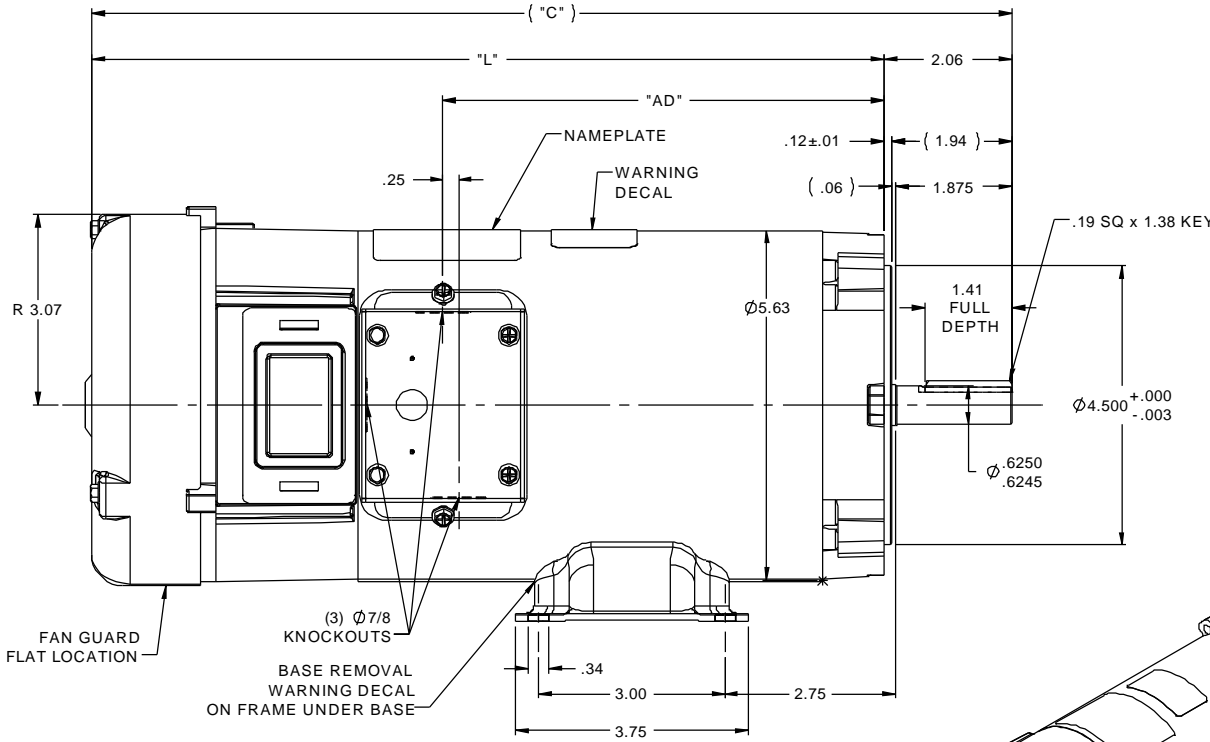
|                            |                             |                        |            |
|----------------------------|-----------------------------|------------------------|------------|
| Output HP                  | 0.75 Hp                     | Output KW              | 0.56 kW    |
| Voltage                    | 90 V                        | Current                | 7.5 A      |
| Speed                      | 1750 rpm                    | Service Factor         | 1          |
| Efficiency                 | 82.2 %                      | Duty                   | Continuous |
| Insulation Class           | F                           | Frame                  | S56C       |
| Enclosure                  | Totally Enclosed Fan Cooled | Overload Protector     | No         |
| Ambient Temperature        | 40 °C                       | Drive End Bearing Size | 6203       |
| Opp Drive End Bearing Size | 6203                        | UL                     | Recognized |
| CSA                        | Y                           | CE                     | N          |

### Technical Specifications

|                 |               |                 |              |
|-----------------|---------------|-----------------|--------------|
| Rotation        | Reversible    | Mounting        | Rigid C base |
| Overall Length  | 13.82 in      | Frame Length    | 6.47 in      |
| Shaft Diameter  | 0.625 in      | Shaft Extension | 2.06 in      |
| Outline Drawing | 031879-108018 |                 |              |

This is an uncontrolled document once printed or downloaded and is subject to change without notice. Date Created: 10/15/2018

RBC PROPRIETARY AND CONFIDENTIAL INFORMATION  
 This document is the property of REGAL BELOIT CORPORATION ("RBC") including its subsidiaries and divisions and contains proprietary information of RBC. This document is based on the express condition that neither the information contained therein shall be disclosed to others without the express written consent of RBC, and that the information shall be used by the recipient only as approved expressly by RBC. This document shall be returned to RBC upon its request. This document may be subject to certain restrictions under U.S. export control laws and regulations.



- NOTES:  
 1) MAXIMUM FACE RUNOUT .004 T.I.R.  
 2) MAXIMUM PILOT ECCENTRICITY .004 T.I.R.  
 3) PERMISSIBLE SHAFT RUNOUT .002 T.I.R.  
 4) GASKETS THROUGHOUT

|                    |            |            |             |              |             |            |
|--------------------|------------|------------|-------------|--------------|-------------|------------|
| 109100.00          | 15.82      | 13.76      | 8.10        | 90           | 3/4         | 1140       |
| 109099.00          | 14.32      | 12.26      | 6.60        | 90           | 1/2         | 1140       |
| 108098.00          | 12.82      | 10.76      | 5.10        | 90           | 1/3         | 1140       |
| 108265.00          | 15.32      | 13.26      | 7.60        | 180          | 1 1/2       | 2500       |
| 108092.00          | 16.82      | 14.76      | 9.10        | 180          | 1 1/2       | 1750       |
| 108023.00          | 14.82      | 12.76      | 7.10        | 180          | 1           | 1750       |
| 108022.00          | 14.82      | 12.76      | 7.10        | 90           | 1           | 1750       |
| 108021.00          | 13.82      | 11.76      | 6.10        | 180          | 1           | 2500       |
| 108020.00          | 13.32      | 11.26      | 5.60        | 90           | 1           | 2500       |
| 108019.00          | 13.82      | 11.76      | 6.10        | 180          | 3/4         | 1750       |
| 108018.00          | 13.82      | 11.76      | 6.10        | 90           | 3/4         | 1750       |
| 108017.00          | 12.82      | 10.76      | 5.10        | 180          | 3/4         | 2500       |
| 108016.00          | 12.82      | 10.76      | 5.10        | 90           | 3/4         | 2500       |
| 108015.00          | 12.82      | 10.76      | 5.10        | 180          | 1/2         | 1750       |
| 108014.00          | 12.82      | 10.76      | 5.10        | 90           | 1/2         | 1750       |
| <b>CATALOG No.</b> | <b>"C"</b> | <b>"L"</b> | <b>"AD"</b> | <b>VOLTS</b> | <b>H.P.</b> | <b>RPM</b> |

|    |  |               |                             |                          |                                       |                   |
|----|--|---------------|-----------------------------|--------------------------|---------------------------------------|-------------------|
| 06 | CHANGED .06 & 1.94 DIMS TO REF., ISAAC 12-0984                               | IPG 1/30/2013 | TOLERANCES UNLESS SPECIFIED |                          | ELECTRIC MOTORS GEARMOTORS AND DRIVES | DRAWN RWS 1/8/08  |
| 05 | ADDED NOTE ABOUT FAN GUARD LOCATION, ISAAC 09-4813                           | IPG 12/4/2009 | DEC INCHES                  |                          |                                       | CHK IPG 1/9/08    |
| 04 | CAT. # 108092.00: "C" WAS 17.32, "L" WAS 15.26, "AD" WAS 9.60, ISAAC 09-1828 | IPG 5/14/2009 | X ±.1                       | TITLE OUTLINE            | SCALE 1:2                             | APPR              |
| 03 | ADDED DATA FOR VARIOUS CAT. NUMBERS, COMPLETED                               | IPG 9/15/2008 | XXX ±.005                   | 48 FRAME DC - S56C MOUNT | REF 031189.00                         | REF               |
|    | TABLE  |               | XXXX ±.0005                 | MATL                     | 108022.75                             | FMF               |
| NO | REVISION   | BY & DATE     | CHK LANG ±1/2°              | FINISH                   | PAGE OF                               |                   |
|    | THIRD ANGLE PROJECTION   |               | RFP                         | PREV                     | SIZE B                                | DRAWING NO 031879 |
|    |  |               | NETWORK FILE NAME 031879    |                          |                                       | REV 06            |