

# PRODUCT INFORMATION PACKET



Model No: C4C17FZ29C

Catalog No: 107005.00

P1100...29:1.59RPM.248LBIN..25HP.48Y...AC GEARMOTORS FHP.115/208-  
230V.1PH.60HZ.TEFC.C4C17FZ29C

P1100 Series



Regal and Leeson are trademarks of Regal Beloit Corporation or one of its affiliated companies.

©2018 Regal Beloit Corporation, All Rights Reserved. MC017097E





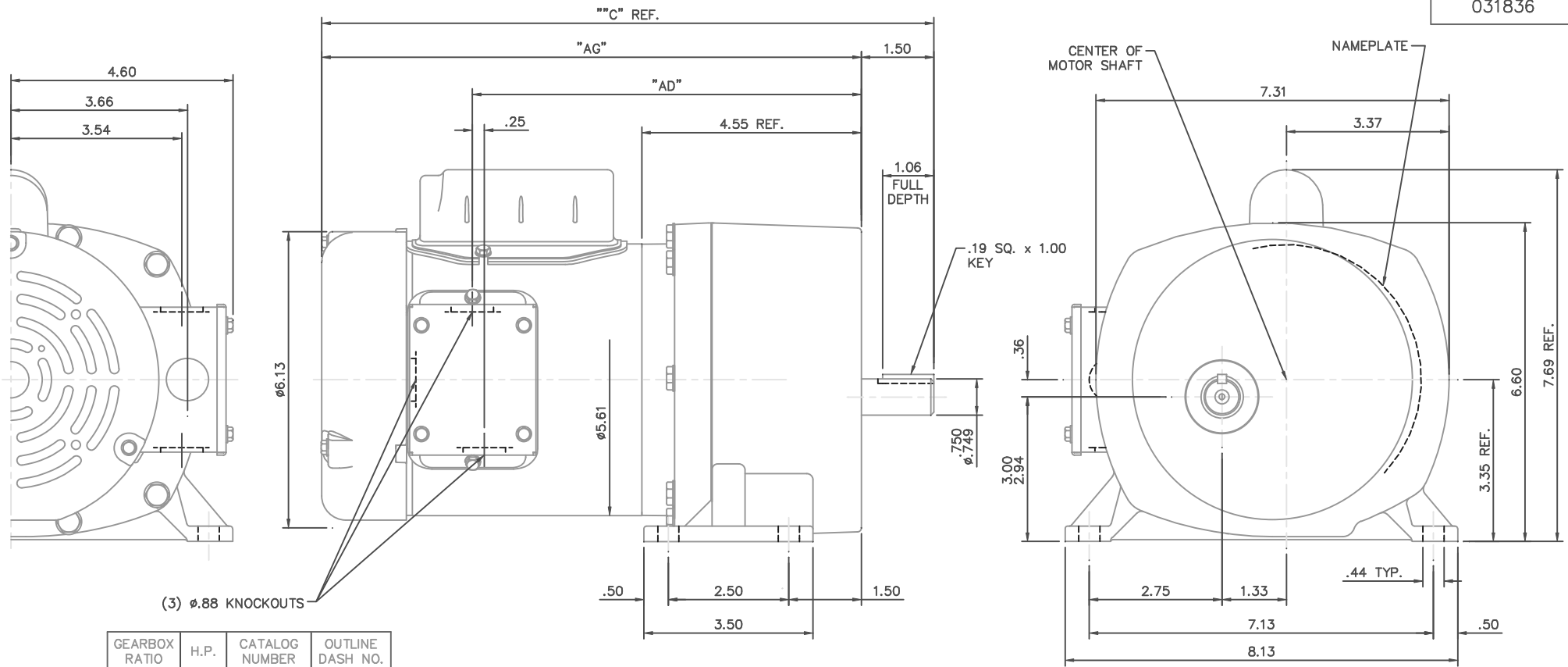
### Nameplate Specifications

Output HP	<b>0.25 Hp</b>	Output KW	<b>0.19 kW</b>
Frequency	<b>60 Hz</b>	Voltage	<b>115/208-230 V</b>
Current	<b>5.4/2.7 A</b>	Speed	<b>59 rpm</b>
Service Factor	<b>1.15</b>	Phase	<b>1</b>
Duty	<b>Continuous</b>	Insulation Class	<b>B</b>
KVA Code	<b>M</b>	Frame	<b>48Y</b>
Enclosure	<b>Totally Enclosed Fan Cooled</b>	Overload Protector	<b>No</b>
Ambient Temperature	<b>40 °C</b>	Drive End Bearing Size	<b>6203</b>
Opp Drive End Bearing Size	<b>6203</b>	UL	<b>Recognized</b>
CSA	<b>Y</b>	CE	<b>N</b>

### Technical Specifications

Rotation	<b>Reversible</b>	Mounting	<b>Special</b>
Shaft Type	<b>Parallel</b>	Overall Length	<b>13.42 in</b>
Frame Length	<b>5.50 in</b>	Shaft Diameter	<b>0.750 in</b>
Shaft Extension	<b>1.5 in</b>		
Outline Drawing	<b>031836-550</b>	Connection Diagram	<b>005005.01</b>

**This is an uncontrolled document once printed or downloaded and is subject to change without notice. Date Created: 10/15/2018**



(3) Ø.88 KNOCKOUTS

GEARBOX RATIO	H.P.	CATALOG NUMBER	OUTLINE DASH NO.
212:1	1/4	107000.00	550
13:1	1/4	107001.00	550
66:1	1/4	107002.00	550
95:1	1/4	107003.00	550
143:1	1/4	107004.00	550
29:1	1/4	107005.00	550
95:1	1/3	107006.00	575
6:1	1/3	107007.00	575
11:1	1/3	107008.00	575
19:1	1/3	107009.00	575
29:1	1/3	107010.00	575
42:1	1/3	107011.00	575
66:1	1/3	107012.00	575
79:1	1/2	107013.00	625
13:1	1/2	107014.00	625
19:1	1/2	107015.00	625
29:1	1/2	107016.00	625
42:1	1/2	107017.00	625

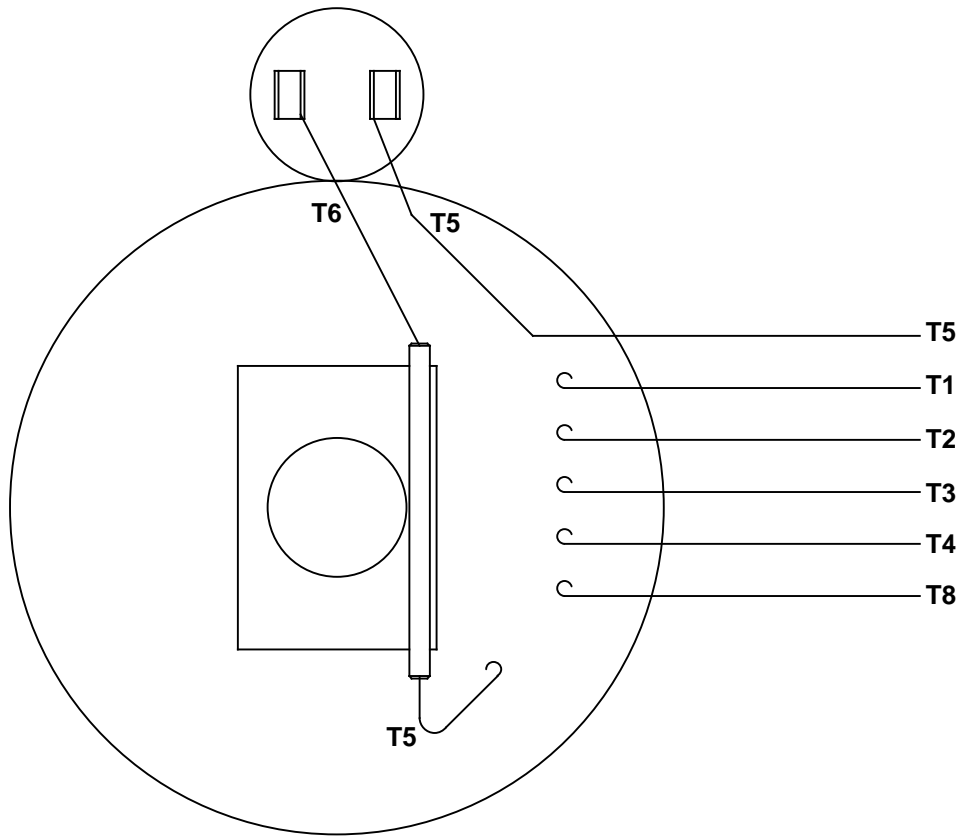
OUTLINE DASH NO.	"C"	"AG"	"AD"
550	13.42	11.92	8.81
575	13.67	12.17	9.06
625	14.17	12.67	9.56

GASKETS THROUGHOUT

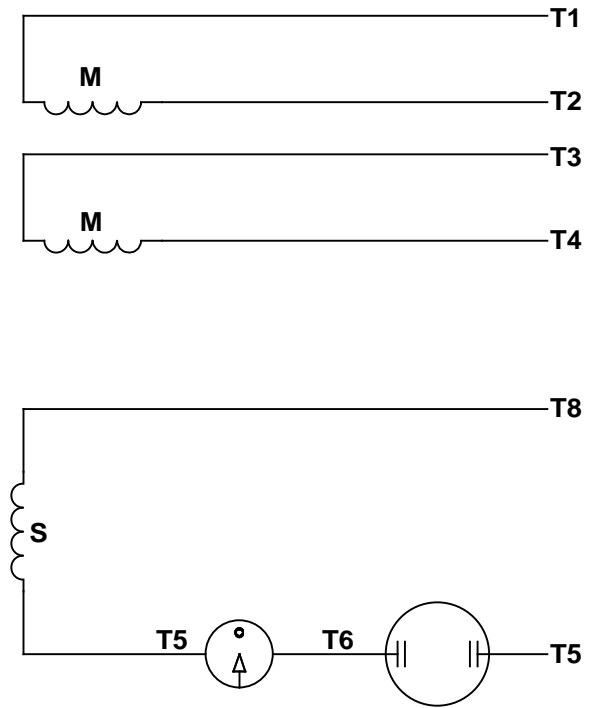
NO.		REVISION	BY & DATE	CHK	ANG	±1/2"	FINISH	STANDARD	PREV
THIS DRAWING IN DESIGN AND DETAIL IS OUR PROPERTY AND MUST NOT BE USED EXCEPT IN CONNECTION WITH OUR WORK ALL RIGHTS OF DESIGN AND INVENTION ARE RESERVED THIS IS AN ELECTRONICALLY GENERATED DOCUMENT - DO NOT SCALE THIS PRINT				RFP	CAD FILE	031836	SIZE	DRAWING NO.	REV.
				DIST			B	031836	

TOLERANCES UNLESS SPECIFIED		LEESON		ELECTRIC MOTORS GEARMOTORS AND DRIVES		DRAWN PG 11/28/05	
DEC.	INCHES					CHK	
.X	±.1					APPD	
.XX	±.03	TITLE		OUTLINE - 48 FRAME TEFC GEARMOTOR		SCALE 1=2	
.XXX	±.005	MAT'L		1 PHASE		REF 031216	
.XXXX	±.0005	FINISH		STANDARD		FMF 107000.00	

VIEW FROM OUTSIDE OF MOTOR AT SWITCH END.



LINE LEADS



	ROTATION FACING LEAD END	L1	L2	JOIN
HIGH VOLT	C.C.W.	T1	T4, T5	T2, T3, T8
	C.W.	T1	T4, T8	T2, T3, T5
LOW VOLT	C.C.W.	T1, T3, T8	T2, T4, T5	-----
	C.W.	T1, T3, T5	T2, T4, T8	-----

RBC PROPRIETARY AND CONFIDENTIAL INFORMATION  
 This document is the property of REGAL BELOIT CORPORATION ("RBC") including its subsidiaries and divisions and contains proprietary information of RBC. This document is loaned on the express condition that neither it nor the information contained therein shall be disclosed to others without the express written consent of RBC, and that the information shall be used by the recipient only as approved expressly by RBC. This document shall be returned to RBC upon its request. This document may be subject to certain restrictions under U.S. export control laws and regulations.

--	REDRAWN IN SOLIDWORKS	VJB 02/16/11	TOLERANCES UNLESS SPECIFIED		<b>LEESON</b>	ELECTRIC MOTORS GEARMOTORS AND DRIVES	DRAWN ADH 08/06/73	
27	UPDATED TO CURRENT STANDARDS	DBT 05/27/97	DEC	INCHES			CHK	
26	ADDED PAGE 32 (114787) & PAGE 33 (114788)	KAZ 12/20/95	PG	.X ±.1	TITLE EXTERNAL WIRING DIAGRAM TYPE "C" W/O PROTECTOR		APPR JCW 03/09/79	
25	ADDED PAGE 31	KAZ 04/19/95	DL	.XX ±.01			SCALE 1:1	
24	ADDED PAGES 29 & 30	KMM 03/30/95	DL	.XXX ±.005	MAT'L DECAL - 004012		REF FIG 2-23 C4A	
23	ADDED PAGE 28	KMM 01/27/95		.XXXX ±.0005			FMF MGI-2.4B	
NO	REVISION	BY & DATE	CHK	ANG ±1/2°	FINISH	PAGE	OF	
THIRD ANGLE PROJECTION			RFP	PREV	SIZE	DRAWING NO	REV	
				NETWORK FILE NAME	00500501	<b>A</b>	<b>005005-01</b>	--