

# PRODUCT INFORMATION PACKET



Model No: L4P17NZ149A  
Catalog No: 103878.00  
1/3 HP.1800RPM.48Z.TEAO.115/230V.1PH.60HZ.CONT.40C.T-BOLT.INCUBATOR FAN.  
Hatchery



Regal and Leeson are trademarks of Regal Beloit Corporation or one of its affiliated companies.  
©2018 Regal Beloit Corporation, All Rights Reserved. MC017097E





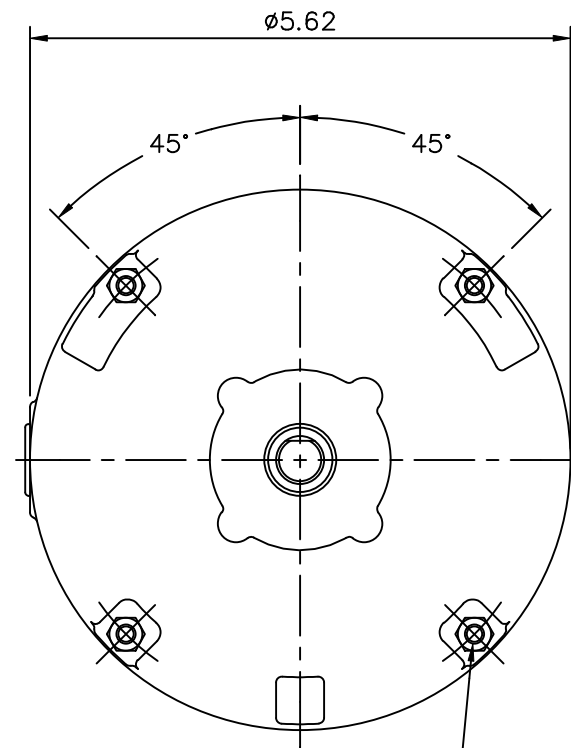
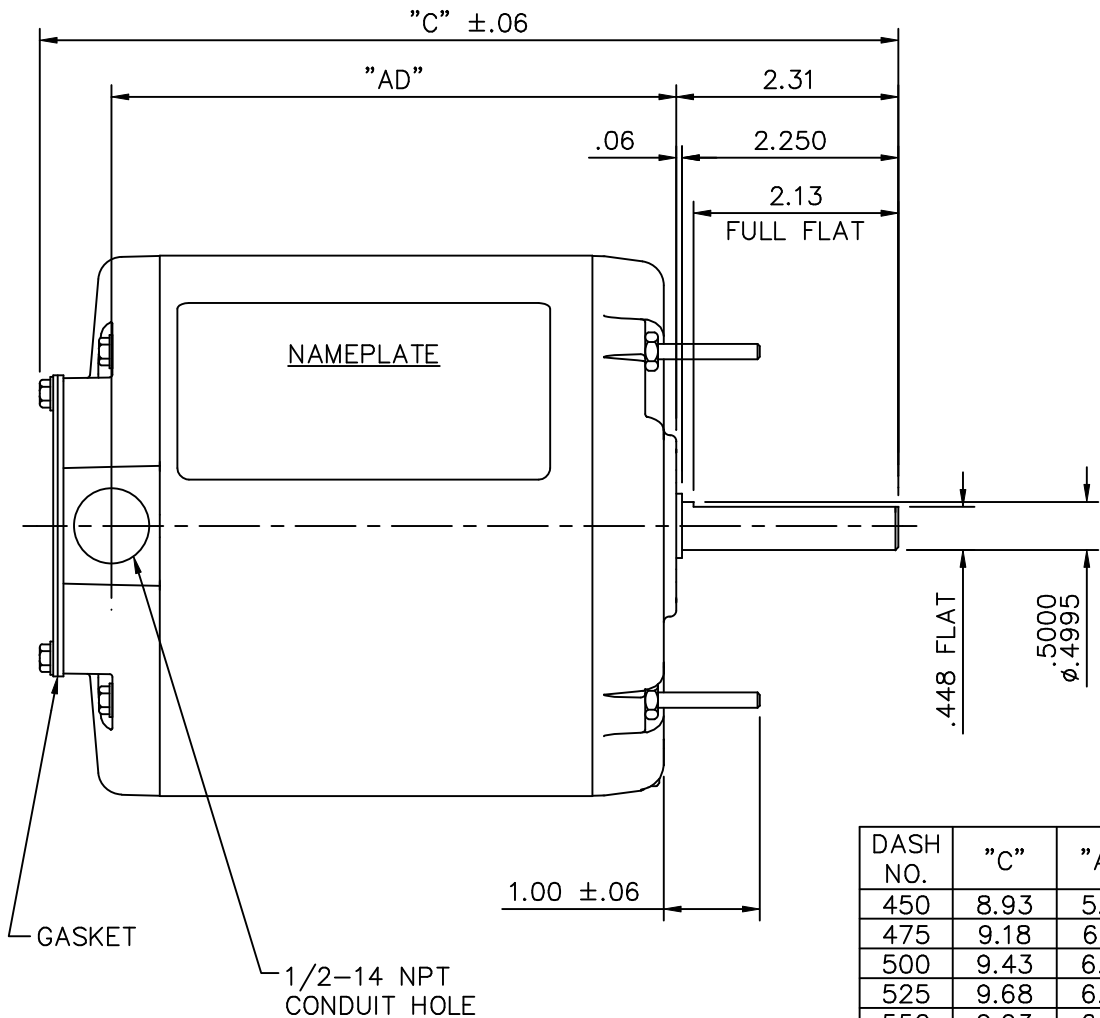
### Nameplate Specifications

Output HP	<b>0.33 Hp</b>	Output KW	<b>0.25 kW</b>
Frequency	<b>60 Hz</b>	Voltage	<b>115/230 V</b>
Current	<b>3.3/1.7 A</b>	Speed	<b>1625 rpm</b>
Service Factor	<b>1</b>	Phase	<b>1</b>
Efficiency	<b>68 %</b>	Duty	<b>Continuous</b>
Insulation Class	<b>F</b>	Design Code	<b>N</b>
KVA Code	<b>D</b>	Frame	<b>48Z</b>
Enclosure	<b>Totally Enclosed Air Over</b>	Overload Protector	<b>Automatic Lock Rotor Only</b>
Ambient Temperature	<b>40 °C</b>	Drive End Bearing Size	<b>6203</b>
Opp Drive End Bearing Size	<b>6203</b>	UL	<b>Recognized</b>
CSA	<b>Y</b>	CE	<b>N</b>
IP Code	<b>43</b>		

### Technical Specifications


Electrical Type	<b>Permanent Split Capacitor</b>	Starting Method	<b>Across The Line</b>
Poles	<b>4</b>	Rotation	<b>Selective Counterclockwise</b>
Mounting	<b>Round - Extended Studs</b>	Motor Orientation	<b>HORIZONTAL</b>
Drive End Bearing	<b>BALL</b>	Opp Drive End Bearing	<b>BALL</b>
Frame Material	<b>Rolled Steel</b>	Shaft Type	<b>Single Special Extension</b>
Overall Length	<b>9.93 in</b>	Frame Length	<b>5.50 in</b>
Shaft Diameter	<b>0.500 in</b>	Shaft Extension	<b>2.25 in</b>
Assembly/Box Mounting	<b>F1 ONLY</b>		
Outline Drawing	<b>A-031708-550</b>	Connection Diagram	<b>A-005109-16</b>

**This is an uncontrolled document once printed or downloaded and is subject to change without notice. Date Created: 10/15/2018**

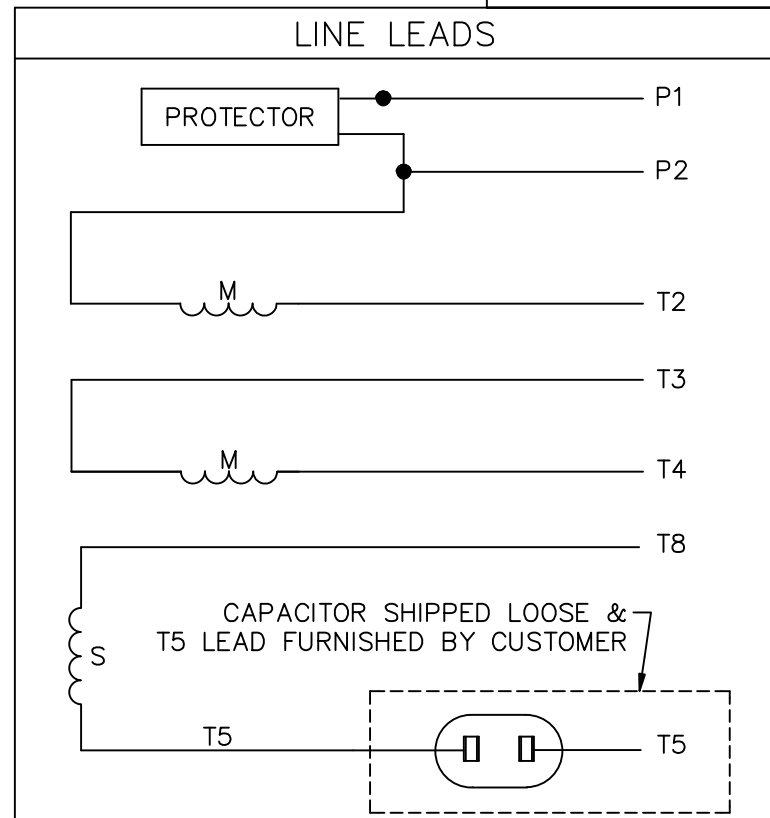
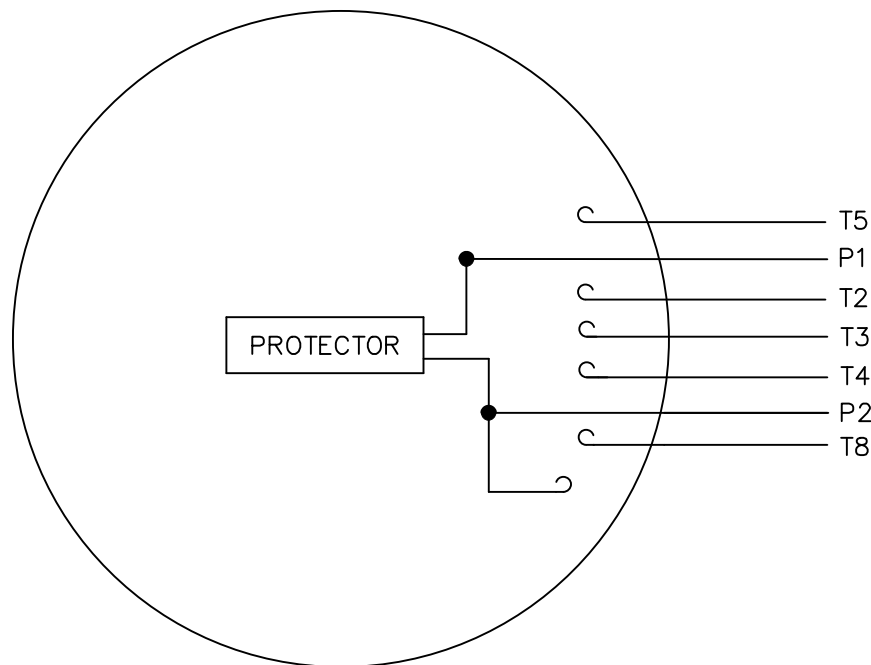


10-32 UNF 2A THRU BOLTS  
(4) REQ'D. ON A Ø5.125 B.C.


DASH NO.	"C"	"AD"
450	8.93	5.87
475	9.18	6.12
500	9.43	6.37
525	9.68	6.62
550	9.93	6.87
575	10.18	7.12
600	10.43	7.37
625	10.68	7.62
650	10.93	7.87
675	11.18	8.12

				TOLERANCES UNLESS SPECIFIED		 ELECTRIC MOTORS GEARMOTORS AND DRIVES	DRAWN PG 7/24/02 CHK APPD
				DEC.	INCHES		SCALE 1=2
				.X	±.1		REF 030642
				.XX	±.03		FMF 101341.00
				.XXX	±.005		PREV
				.XXXX	±.0005		
NO.	REVISION	BY & DATE	CHK	ANG	±1/2"	TITLE OUTLINE - 48Y FRAME RIGID MOUNT - TENV	
THIS DRAWING IN DESIGN AND DETAIL IS OUR PROPERTY AND MUST NOT BE USED EXCEPT IN CONNECTION WITH OUR WORK ALL RIGHTS OF DESIGN AND INVENTION ARE RESERVED THIS IS AN ELECTRONICALLY GENERATED DOCUMENT - DO NOT SCALE THIS PRINT				RFP		CAD FILE 031708	SIZE A
				DIST			DRAWING NO. 031708
							REV.

VIEW FROM OUTSIDE OF MOTOR AT SWITCH END.



	ROTATION FACING LEAD END	L1	L2	JOIN	INSULATE SEPARATELY
HIGH VOLT	C.C.W.	P1	T4 T5	T2,T3 T8	P2
	C.W.	P1	T4 T8	T2,T3 T5	P2
LOW VOLT	C.C.W.	P1	T2,T4 T5	P2,T3 T8	--
	C.W.	P1	T2,T4 T8	P2,T3 T5	--

		TOLERANCES UNLESS SPECIFIED		 ELECTRIC MOTORS GEARMOTORS AND DRIVES		DRAWN PG 7/25/02	
		DEC.	INCHES			CHK	
		.X	±.1	TITLE		SCALE 1=1	
02	DECAL WAS 080439 ISAAC 10-3389	GWS 8/4/10	.XXX	±.005	EXTERNAL WIRING DIAGRAM TYPE "P" W/PROTECTOR		REF 005109-06
01	UPDATED CAPACITOR NOTE PER CN #03-96	KMM 3/21/03	PG .XXXX	±.0005	MAT'L. DECAL - 92381		FMF 101341.00
NO.	REVISION	BY & DATE	CHK	ANG ±1/2'	FINISH		PREV
THIS DRAWING IN DESIGN AND DETAIL IS OUR PROPERTY AND MUST NOT BE USED EXCEPT IN CONNECTION WITH OUR WORK ALL RIGHTS OF DESIGN AND INVENTION ARE RESERVED THIS IS AN ELECTRONICALLY GENERATED DOCUMENT - DO NOT SCALE THIS PRINT			RFP	CAD FILE 00510916		SIZE A	DRAWING NO. 005109-16
			DIST				REV. 02

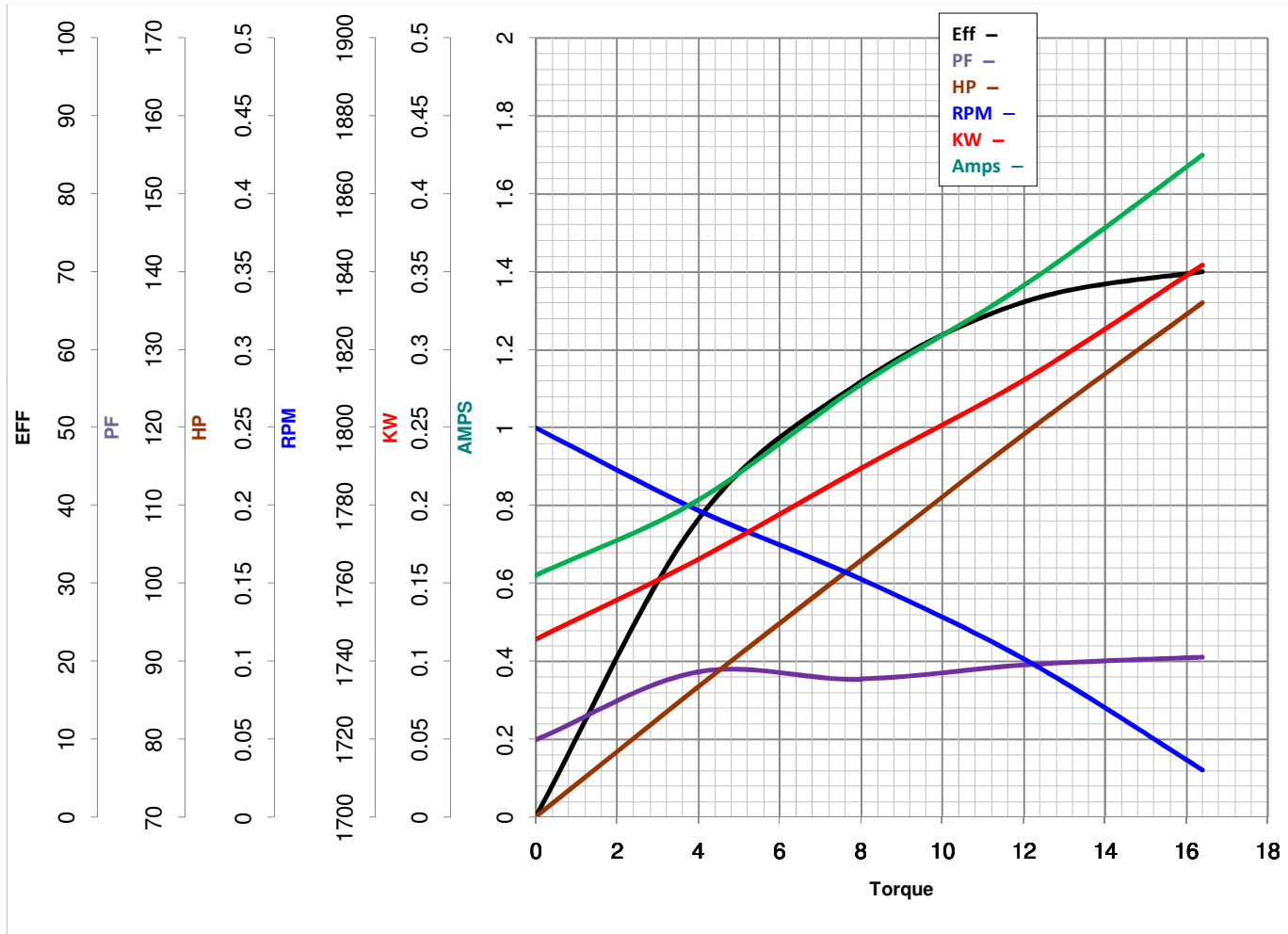


**LEESON ELECTRIC CORPORATION**  
TYPICAL PERFORMANCE CURVE for AC MOTOR

Model No 103878.00

Catalog No 103878.00

Curve at 230 Volts      HP 0.34      PHASE 1  
60 HZ  
0.33 HP      VOLTS 115/230  
HZ 60      RPM 1625



Torque in Oz.Ft

FL TORQUE 16.4 Oz.Ft  
 BD TORQUE 35.3 Oz.Ft  
 LR TORQUE 9.63 Oz.Ft

FL AMPS 3.25/1.65  
 PU TORQUE 7.5 Oz.Ft  
 LR AMPS 6.74

WINDING PE484280-3

Date 3/27/2018