

PRODUCT INFORMATION PACKET



Model No: M4P17DJ33A

Catalog No: 103821.00

..1/2HP..1625RPM.S56.ODP.115V.1PH.60/50HZ.60MIN.40C.1.0SF.RESILIENT BASE.....Instant Reversing.....
Instant Reversing



Regal and Leeson are trademarks of Regal Beloit Corporation or one of its affiliated companies.

©2018 Regal Beloit Corporation, All Rights Reserved. MC017097E





Nameplate Specifications

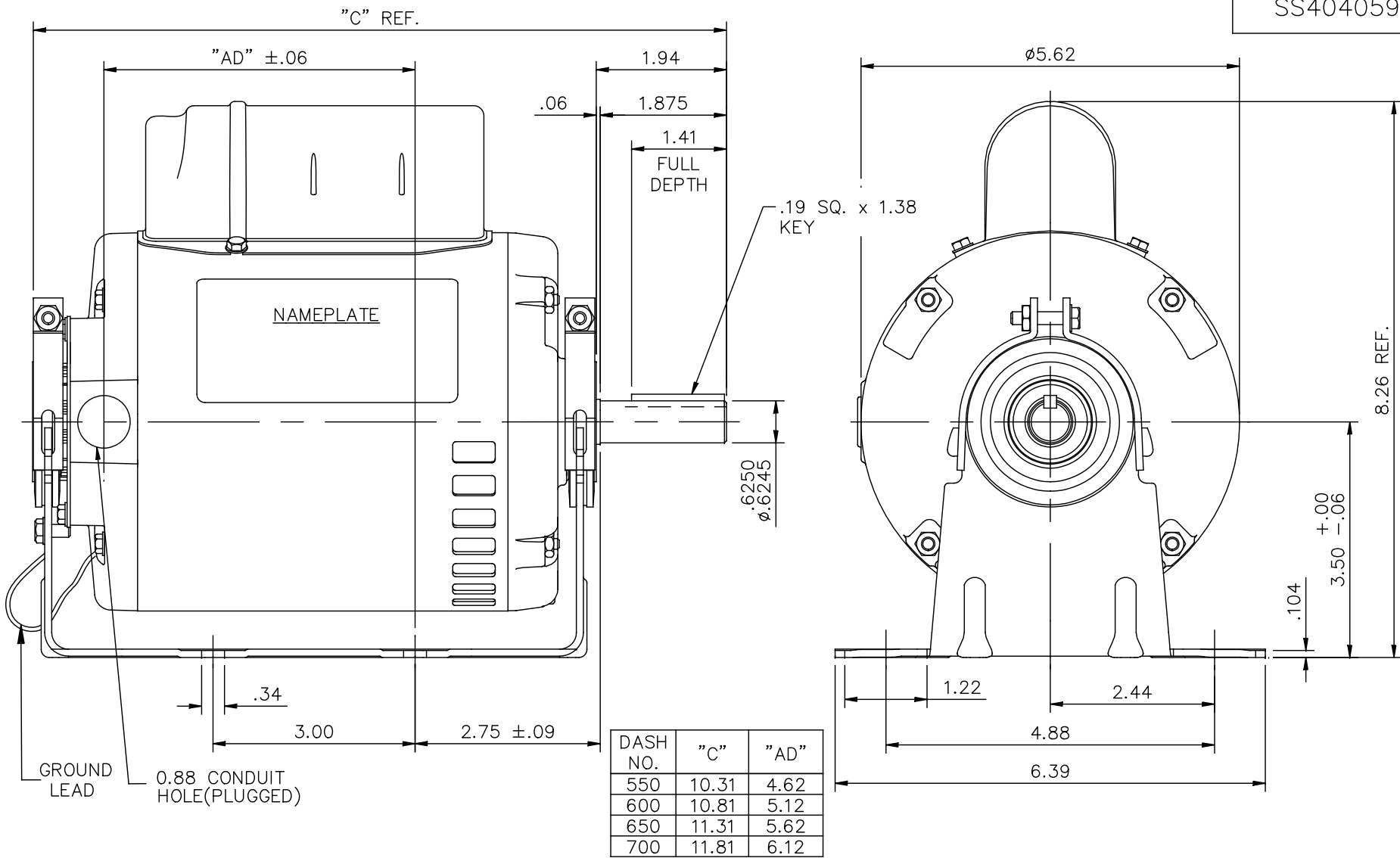
Output HP	0.50 Hp	Output KW	0.37 kW
Frequency	60 Hz	Voltage	115 V
Current	5.1 A	Speed	1535 rpm
Service Factor	1	Phase	1
Efficiency	57.7 %	Duty	60 Minute
Insulation Class	B	Design Code	N
KVA Code	A	Frame	S56Z
Enclosure	Drip Proof	Overload Protector	Manual
Ambient Temperature	40 °C	Drive End Bearing Size	6203
Opp Drive End Bearing Size	6203	UL	Recognized
CSA	Y	CE	N
IP Code	12		


Technical Specifications

Electrical Type	Permanent Split Capacitor	Starting Method	Across The Line
Poles	4	Rotation	Selective Counterclockwise
Mounting	Resilient Base	Motor Orientation	HORIZONTAL
Drive End Bearing	BALL	Opp Drive End Bearing	BALL
Frame Material	Rolled Steel	Shaft Type	Single Special Extension
Overall Length	10.81 in	Frame Length	6.00 in
Shaft Diameter	0.625 in	Shaft Extension	3.12 in
Assembly/Box Mounting	F1 ONLY		
Outline Drawing	SS404059-600	Connection Diagram	A005024-08

This is an uncontrolled document once printed or downloaded and is subject to change without notice. Date Created: 10/15/2018

SS404059



				TOLERANCES UNLESS SPECIFIED		 Regal Beloit America, Inc.		DRAWN PST 02/03/2014	
				DEC.	INCHES			CHK VS 02/03/2014	
				.X	±.1	TITLE OUTLINE – S56 FRAME RESILIENT MOUNT – DRIP PROOF		APPD	
				.XX	±.03			SCALE 1:1	
				.XXX	±.005			REF 031775	
B	ADDED GROUND LEAD	SL 04/19/2016	SM	.XXXX	±.0005	MAT'L. 1 PHASE		FMF 103821.00	
NO.	REVISION	BY & DATE	CHK	ANG	±1/2'	FINISH STANDARD		PREV	
THIS DRAWING IN DESIGN AND DETAIL IS OUR PROPERTY AND MUST NOT BE USED EXCEPT IN CONNECTION WITH OUR WORK ALL RIGHTS OF DESIGN AND INVENTION ARE RESERVED THIS IS AN ELECTRONICALLY GENERATED DOCUMENT – DO NOT SCALE THIS PRINT				RFP	CAD FILE SS404059		SIZE	DRAWING NO.	
				DIST			A	SS404059	
								REV. B	

