

# PRODUCT INFORMATION PACKET



Model No: A4S17DR71A

Catalog No: 103797.00

..1/4HP..1800RPM.48.ODP.115/230V.1PH.60HZ.CONT.40C.1.35SF.RESILIENT BASE.....FAN DUTY.....

Commercial Refrigeration Fan



Regal and Leeson are trademarks of Regal Beloit Corporation or one of its affiliated companies.

©2018 Regal Beloit Corporation, All Rights Reserved. MC017097E





### Nameplate Specifications

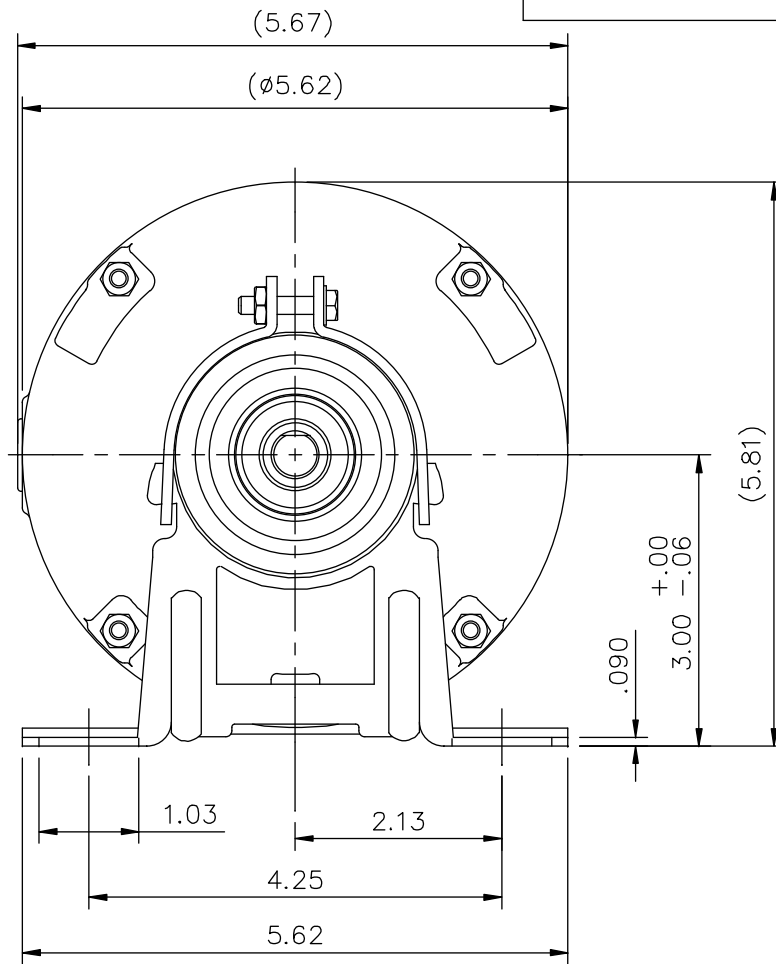
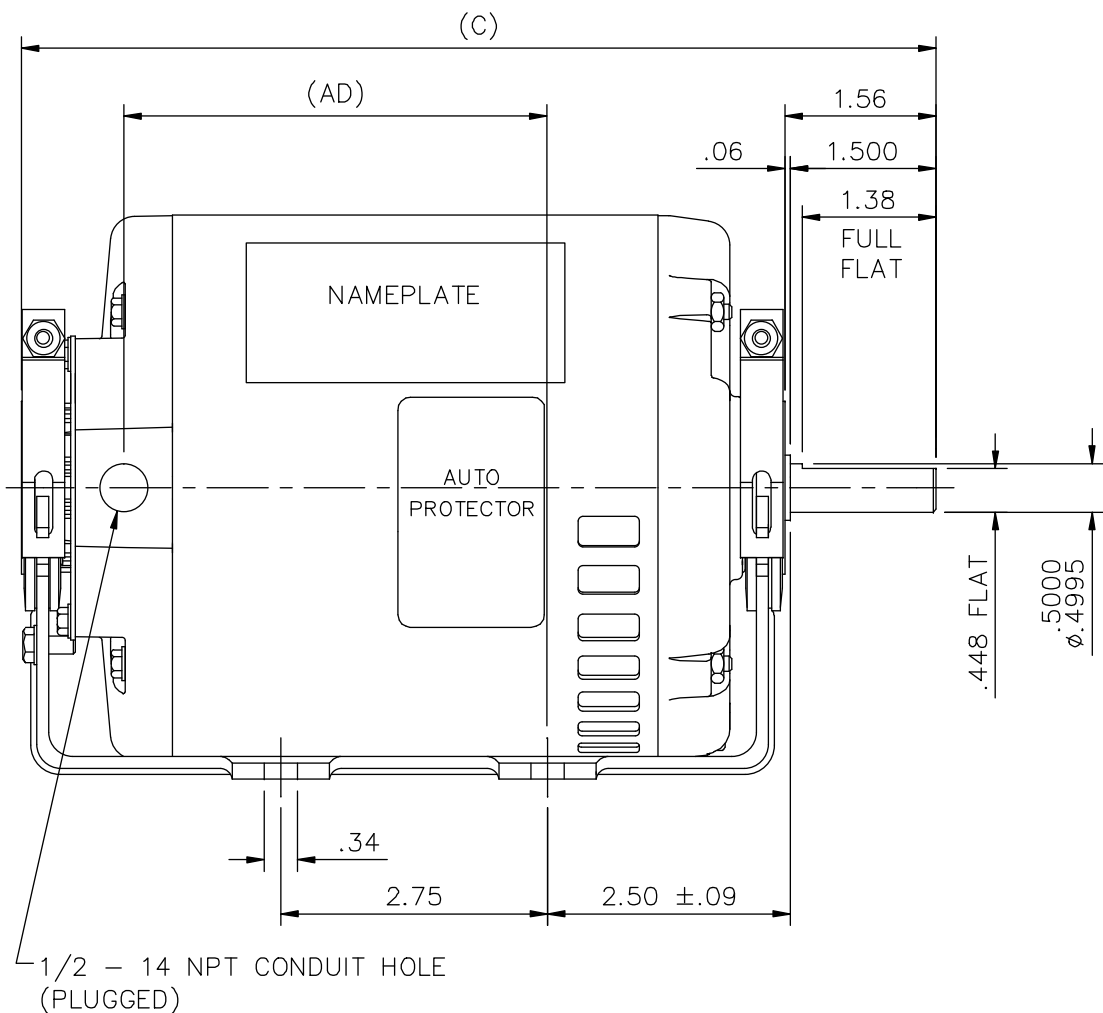
Output HP	<b>0.25 Hp</b>	Output KW	<b>0.19 kW</b>
Frequency	<b>60 Hz</b>	Voltage	<b>115/230 V</b>
Current	<b>5.2/2.6 A</b>	Speed	<b>1725 rpm</b>
Service Factor	<b>1.35</b>	Phase	<b>1</b>
Efficiency	<b>60 %</b>	Duty	<b>Continuous</b>
Insulation Class	<b>B</b>	Design Code	<b>O</b>
KVA Code	<b>R</b>	Frame	<b>48Z</b>
Enclosure	<b>Drip Proof</b>	Overload Protector	<b>Automatic</b>
Ambient Temperature	<b>40 °C</b>	Drive End Bearing Size	<b>6203</b>
Opp Drive End Bearing Size	<b>6203</b>	UL	<b>Recognized</b>
CSA	<b>Y</b>	CE	<b>N</b>
IP Code	<b>22</b>		

### Technical Specifications


Electrical Type	<b>Split Phase</b>	Starting Method	<b>Across The Line</b>
Poles	<b>4</b>	Rotation	<b>Selective Counterclockwise</b>
Mounting	<b>Resilient Base</b>	Motor Orientation	<b>HORIZONTAL</b>
Drive End Bearing	<b>BALL</b>	Opp Drive End Bearing	<b>BALL</b>
Frame Material	<b>Rolled Steel</b>	Shaft Type	<b>Single Special Extension</b>
Overall Length	<b>9.93 in</b>	Frame Length	<b>5.50 in</b>
Shaft Diameter	<b>0.500 in</b>	Shaft Extension	<b>2.24 in</b>
Assembly/Box Mounting	<b>F1 ONLY</b>		
Outline Drawing	<b>A-SS404043-550</b>	Connection Diagram	<b>A-005212-05</b>

**This is an uncontrolled document once printed or downloaded and is subject to change without notice. Date Created: 10/15/2018**

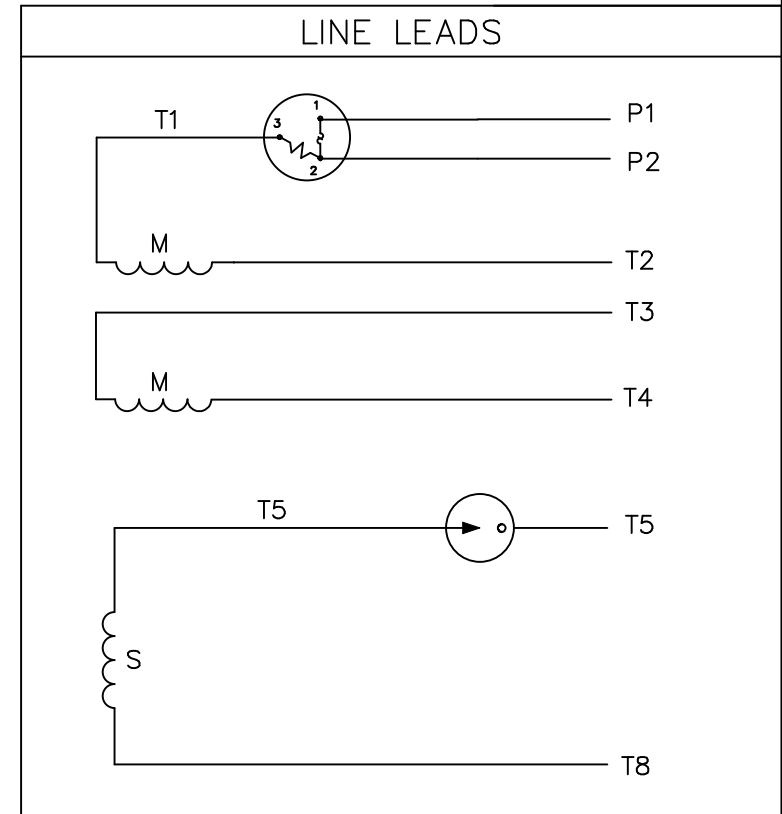
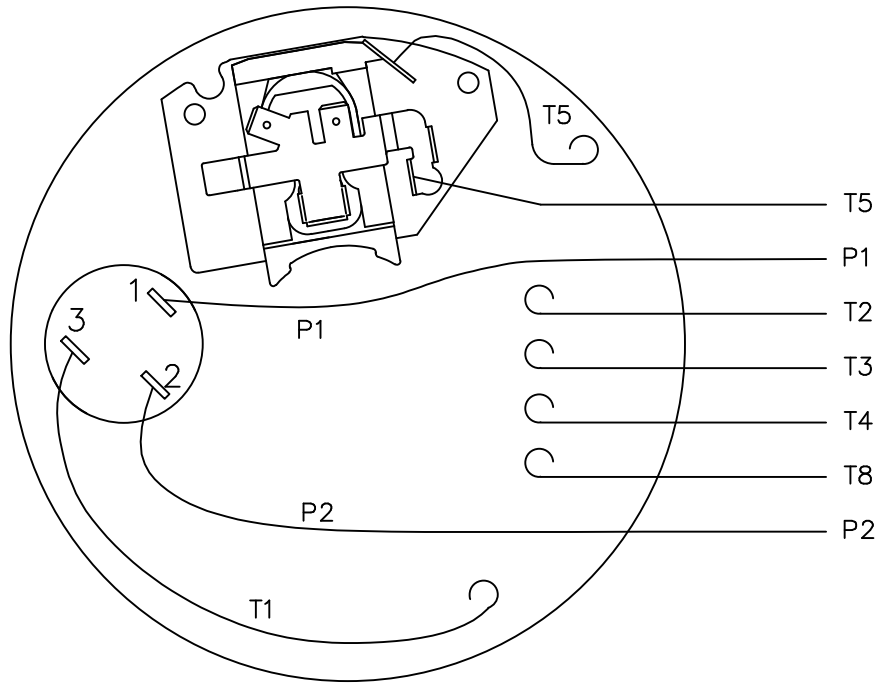
SS404043




DASH	C	AD
500	9.43	4.36
550	9.93	4.86
575	10.18	5.11
600	10.43	5.36

				TOLERANCES UNLESS SPECIFIED		 ELECTRIC MOTORS GEARMOTORS AND DRIVES	DRAWN KR 08/01/2013			
				DEC.	INCHES		CHK SM 08/01/2013			
				.X	±.1		APPD			
				.XX	±.03		SCALE 1:1			
				.XXX	±.005		REF OL101865			
				.XXX	±.005	TITLE	OUTLINE - 48 FRAME RESILIENT MOUNT - DRIP PROOF			
				.XXXX	±.0005	MAT'L.	1 PHASE			
NO.	REVISION	BY & DATE	CHK	ANG	±1/2'	FINISH	PREV			
THIS DRAWING IN DESIGN AND DETAIL IS OUR PROPERTY AND MUST NOT BE USED EXCEPT IN CONNECTION WITH OUR WORK ALL RIGHTS OF DESIGN AND INVENTION ARE RESERVED THIS IS AN ELECTRONICALLY GENERATED DOCUMENT - DO NOT SCALE THIS PRINT				RFP		CAD FILE	SS404043	SIZE	DRAWING NO.	REV.
				DIST				A	SS404043	

CAUTION: WHEN APPLYING A PROTECTOR, BE OBSERVANT OF TIME/TEMPERATURE ON LOW VOLTAGE LOCK.



	ROTATION FACING LEAD END	L1	L2	JOIN	INSULATE SEPARATE
HIGH VOLT	C.C.W.	P1	T4, T5	T2, T3, T8	P2
	C.W.	P1	T4, T8	T2, T3, T5	P2
LOW VOLT	C.C.W.	P1	T2, T4, T5	P2, T3, T8	---
	C.W.	P1	T2, T4, T8	P2, T3, T5	---

		TOLERANCES UNLESS SPECIFIED		 ELECTRIC MOTORS GEARMOTORS AND DRIVES		DRAWN KMM 05/20/02						
		DEC.	INCHES			CHK	APPD					
		.X	±.1	TITLE EXTERNAL WIRING DIAGRAM		SCALE	5=8					
		.XX	±.01			REF	005212-01					
		.XXX	±.005			FMF	102511					
		.XXXX	±.0005			PREV						
NO.	REVISION	BY & DATE	CHK	ANG	±1/2"	MAT'L.	DECAL - 004011	FINISH	TYPE "S" W/PROTECTOR	SIZE	DRAWING NO.	REV.
			RFP			CAD FILE	00521205			A	005212-05	
			DIST									

6/29/2007 2:13:13 PM -