

# PRODUCT INFORMATION PACKET



Model No: A4S17DR70A

Catalog No: 103796.00

.1/2 HP..1800RPM.48Z.ODP.115/230V.1PH.60HZ.CONT.40C.1.25SF.RESILIENT BASE.....FAN DUTY.....

Commercial Refrigeration Fan



Regal and Leeson are trademarks of Regal Beloit Corporation or one of its affiliated companies.

©2018 Regal Beloit Corporation, All Rights Reserved. MC017097E





### Nameplate Specifications

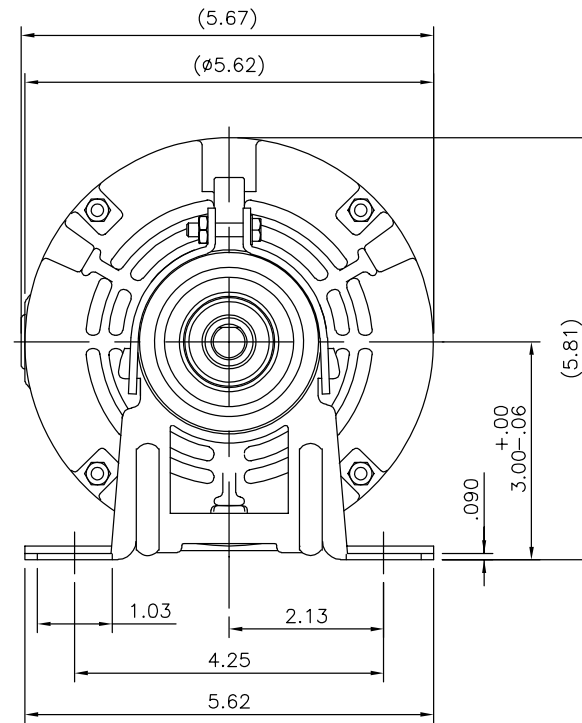
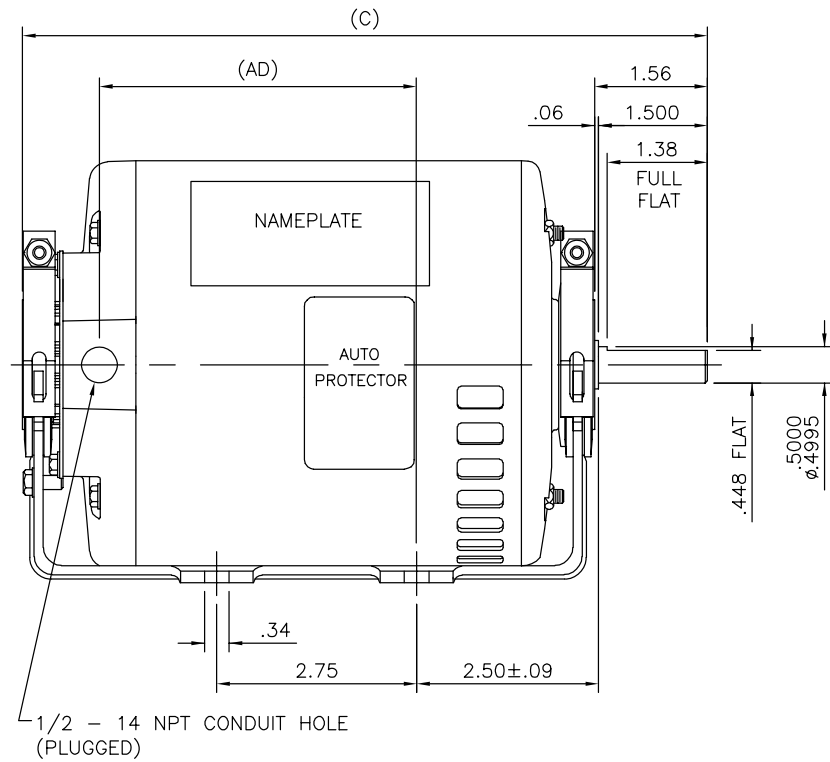
Output HP	<b>0.50 Hp</b>	Output KW	<b>0.37 kW</b>
Frequency	<b>60 Hz</b>	Voltage	<b>115/230 V</b>
Current	<b>7.0/3.5 A</b>	Speed	<b>1725 rpm</b>
Service Factor	<b>1.25</b>	Phase	<b>1</b>
Efficiency	<b>68 %</b>	Duty	<b>Continuous</b>
Insulation Class	<b>F</b>	Design Code	<b>N</b>
KVA Code	<b>M</b>	Frame	<b>48Z</b>
Enclosure	<b>Drip Proof</b>	Overload Protector	<b>Automatic</b>
Ambient Temperature	<b>40 °C</b>	Drive End Bearing Size	<b>6203</b>
Opp Drive End Bearing Size	<b>6203</b>	UL	<b>Recognized</b>
CSA	<b>Y</b>	CE	<b>N</b>
IP Code	<b>22</b>		

### Technical Specifications

Electrical Type	<b>Split Phase</b>	Starting Method	<b>Across The Line</b>
Poles	<b>4</b>	Rotation	<b>Selective Counterclockwise</b>
Mounting	<b>Resilient Base</b>	Motor Orientation	<b>HORIZONTAL</b>
Drive End Bearing	<b>BALL</b>	Opp Drive End Bearing	<b>BALL</b>
Frame Material	<b>Rolled Steel</b>	Shaft Type	<b>Single Special Extension</b>
Overall Length	<b>10.43 in</b>	Frame Length	<b>6.00 in</b>
Shaft Diameter	<b>0.500 in</b>	Shaft Extension	<b>2.24 in</b>
Assembly/Box Mounting	<b>F1 ONLY</b>		
Outline Drawing	<b>A-SS404083-600</b>	Connection Diagram	<b>005212-15</b>

**This is an uncontrolled document once printed or downloaded and is subject to change without notice. Date Created: 10/15/2018**

SS404083



DASH	C	AD
500	9.43	4.36
550	9.93	4.86
575	10.18	5.11
600	10.43	5.36

NO.		REVISION	BY & DATE	CHK	ANG	±1/2'	FINISH	SIZE	DRAWING NO.	REV.
THIS DRAWING IN DESIGN AND DETAIL IS OUR PROPERTY AND MUST NOT BE USED EXCEPT IN CONNECTION WITH OUR WORK ALL RIGHTS OF DESIGN AND INVENTION ARE RESERVED THIS IS AN ELECTRONICALLY GENERATED DOCUMENT - DO NOT SCALE THIS PRINT				RFP			CAD FILE	A	SS404083	
				DIST					SS404083	

TOLERANCES UNLESS SPECIFIED		DEC.	INCHES	TITLE	DRAWN
.X	±.1				
.XX	±.03			OUTLINE - 48 FRAME	CHK VS 06/11/2014
.XXX	±.005			RESILIENT MOUNT - DRIP PROOF	APPD
.XXXX	±.0005			1 PHASE	SCALE 1:1
				MAT'L	REF SS404043
				FINISH	FMF
					PREV

