

PRODUCT INFORMATION PACKET



Model No: A4S17DR69A

Catalog No: 103795.00

..1/3HP..1800RPM.48.ODP.115/230V.1PH.60HZ.CONT.40C.1.35SF.RESILIENT BASE.....FAN DUTY.....

Commercial Refrigeration Fan



Regal and Leeson are trademarks of Regal Beloit Corporation or one of its affiliated companies.

©2018 Regal Beloit Corporation, All Rights Reserved. MC017097E





Nameplate Specifications

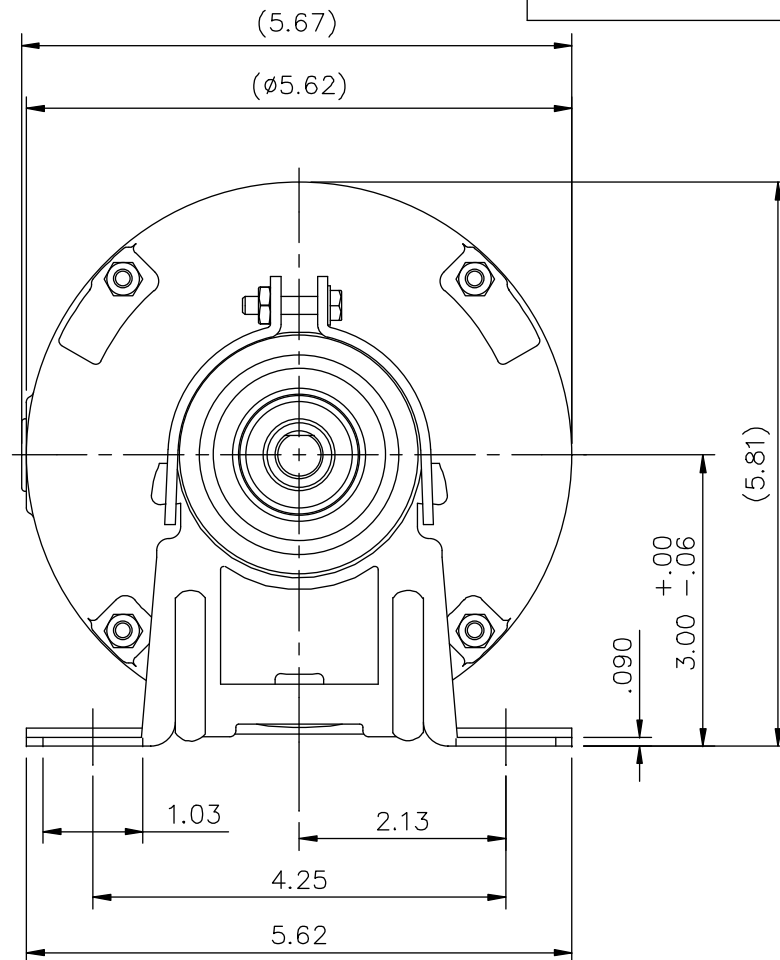
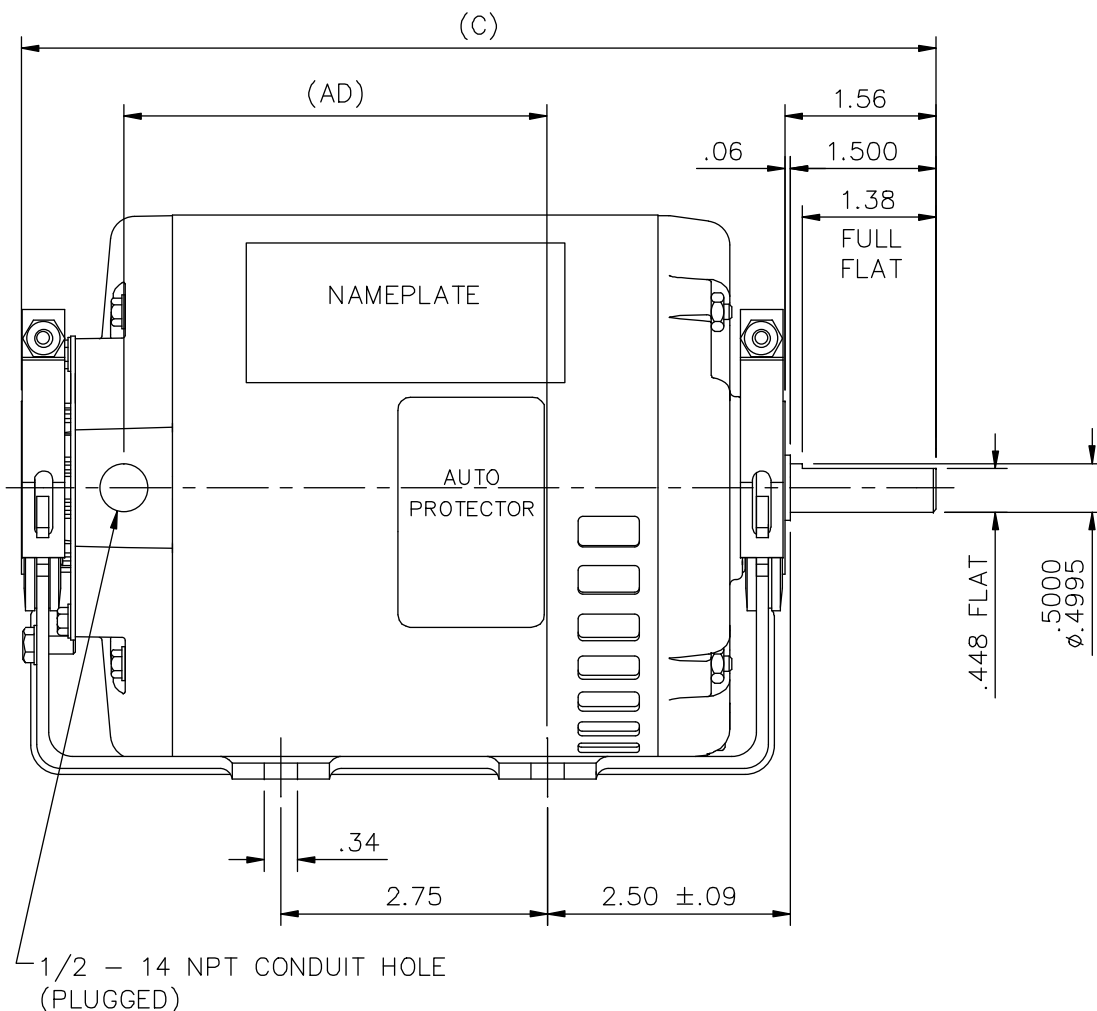
Output HP	0.33 Hp	Output KW	0.25 kW
Frequency	60 Hz	Voltage	115/230 V
Current	5.6/2.8 A	Speed	1725 rpm
Service Factor	1.35	Phase	1
Efficiency	66 %	Duty	Continuous
Insulation Class	B	Design Code	O
KVA Code	P	Frame	48
Enclosure	Drip Proof	Overload Protector	Automatic
Ambient Temperature	40 °C	Drive End Bearing Size	6203
Opp Drive End Bearing Size	6203	UL	Recognized
CSA	Y	CE	N
IP Code	22		

Technical Specifications


Electrical Type	Split Phase	Starting Method	Across The Line
Poles	4	Rotation	Selective Counterclockwise
Mounting	Resilient Base	Motor Orientation	HORIZONTAL
Drive End Bearing	BALL	Opp Drive End Bearing	BALL
Frame Material	Rolled Steel	Shaft Type	NEMA 48
Overall Length	10.18 in	Frame Length	5.75 in
Shaft Diameter	0.500 in	Shaft Extension	1.5 in
Assembly/Box Mounting	F1 ONLY		
Outline Drawing	A-SS404043-575	Connection Diagram	A-005212-15

This is an uncontrolled document once printed or downloaded and is subject to change without notice. Date Created: 10/15/2018

SS404043



DASH	C	AD
500	9.43	4.36
550	9.93	4.86
575	10.18	5.11
600	10.43	5.36

		TOLERANCES UNLESS SPECIFIED		 ELECTRIC MOTORS GEARMOTORS AND DRIVES	DRAWN KR 08/01/2013	
		DEC.	INCHES		CHK SM 08/01/2013	
		.X	±.1		APPD	
		.XX	±.03		SCALE 1:1	
		.XXX	±.005		REF OL101865	
		.XXX	±.005	TITLE	OUTLINE - 48 FRAME RESILIENT MOUNT - DRIP PROOF	
		.XXXX	±.0005	MAT'L.	1 PHASE	
NO.	REVISION	BY & DATE	CHK	ANG	FINISH	PREV
THIS DRAWING IN DESIGN AND DETAIL IS OUR PROPERTY AND MUST NOT BE USED EXCEPT IN CONNECTION WITH OUR WORK ALL RIGHTS OF DESIGN AND INVENTION ARE RESERVED THIS IS AN ELECTRONICALLY GENERATED DOCUMENT - DO NOT SCALE THIS PRINT			RFP		CAD FILE	SS404043
			DIST		SIZE	DRAWING NO.
					A	SS404043
						REV.