

# PRODUCT INFORMATION PACKET



Model No: A4P17NZ131A

Catalog No: 103782.00

..1/2 HP..1625 RPM.48YZ.TEAO.115/230V.1PH.60HZ.CONT.40C.1.0SF.THROUGH BOLT.....AG-FAN.....

Direct Drive



Regal and Leeson are trademarks of Regal Beloit Corporation or one of its affiliated companies.

©2018 Regal Beloit Corporation, All Rights Reserved. MC017097E





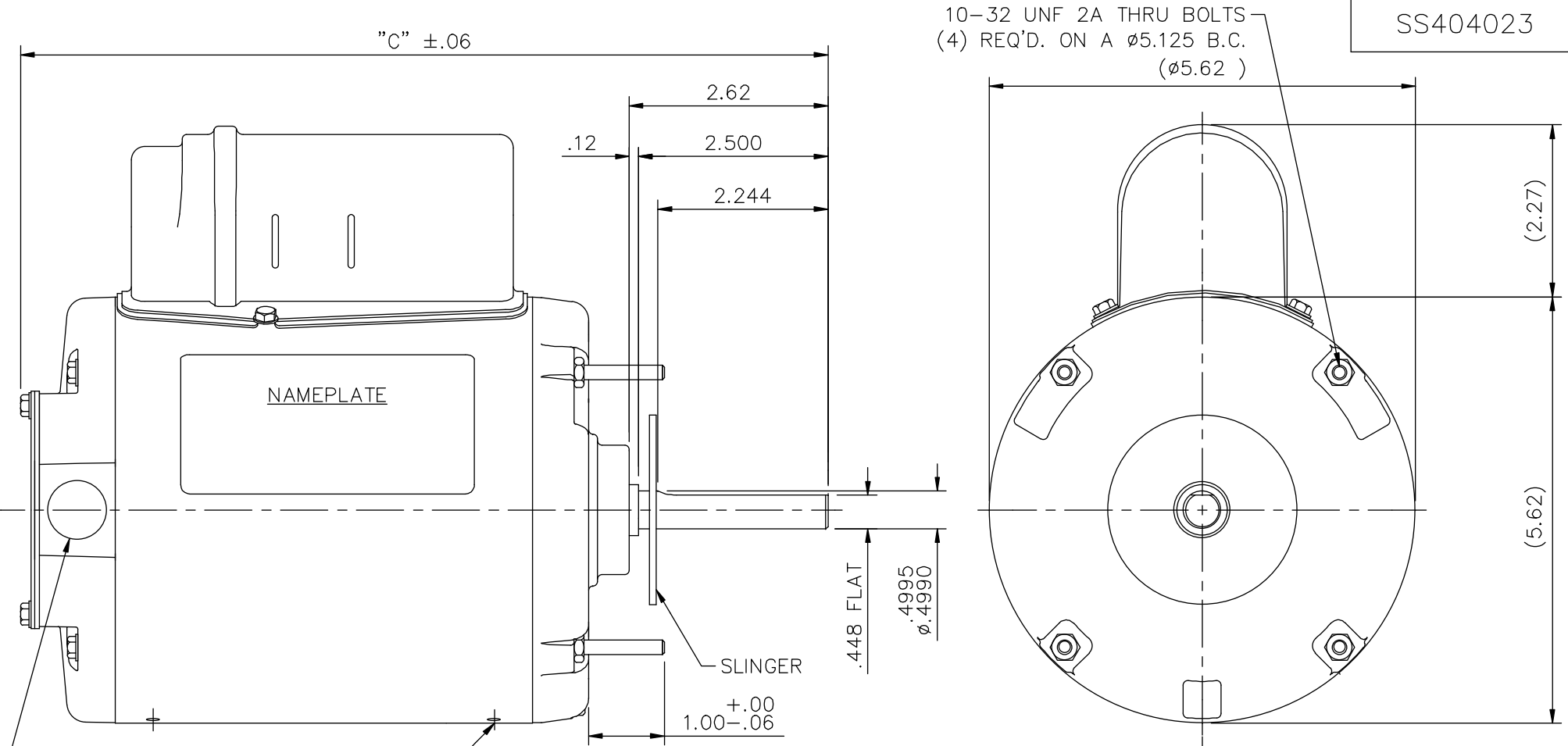
### Nameplate Specifications

Output HP	<b>0.50 Hp</b>	Output KW	<b>0.37 kW</b>
Frequency	<b>60 Hz</b>	Voltage	<b>115/230 V</b>
Current	<b>5.4/2.7 A</b>	Speed	<b>1625 rpm</b>
Service Factor	<b>1</b>	Phase	<b>1</b>
Efficiency	<b>72 %</b>	Duty	<b>Continuous</b>
Insulation Class	<b>B</b>	Design Code	<b>N</b>
KVA Code	<b>B</b>	Frame	<b>48YZ</b>
Enclosure	<b>Totally Enclosed Air Over</b>	Overload Protector	<b>Automatic</b>
Ambient Temperature	<b>40 °C</b>	Drive End Bearing Size	<b>6203</b>
Opp Drive End Bearing Size	<b>6203</b>	UL	<b>Recognized</b>
CSA	<b>Y</b>	CE	<b>N</b>
IP Code	<b>43</b>		


### Technical Specifications

Electrical Type	<b>Permanent Split Capacitor</b>	Starting Method	<b>Across The Line</b>
Poles	<b>4</b>	Rotation	<b>Selective Counterclockwise</b>
Mounting	<b>Round - Extended Studs</b>	Motor Orientation	<b>HORIZONTAL</b>
Drive End Bearing	<b>BALL</b>	Opp Drive End Bearing	<b>BALL</b>
Frame Material	<b>Rolled Steel</b>	Shaft Type	<b>Single Special Extension</b>
Overall Length	<b>11.18 in</b>	Frame Length	<b>6.00 in</b>
Shaft Diameter	<b>0.500 in</b>	Shaft Extension	<b>2.5 in</b>
Assembly/Box Mounting	<b>F1 ONLY</b>		
Outline Drawing	<b>A-SS404023-600</b>	Connection Diagram	<b>A-005109-15</b>

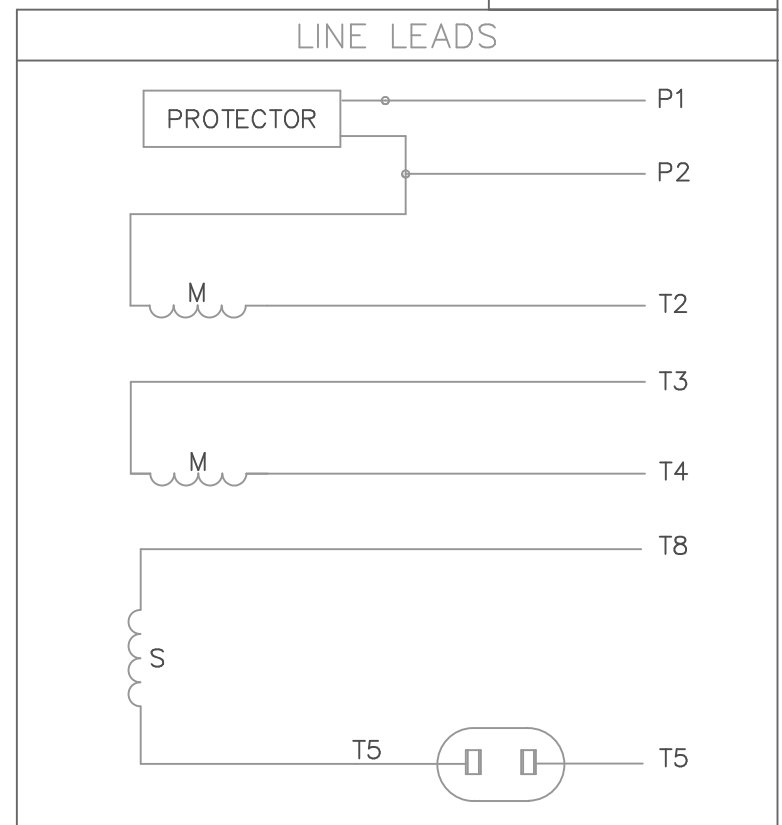
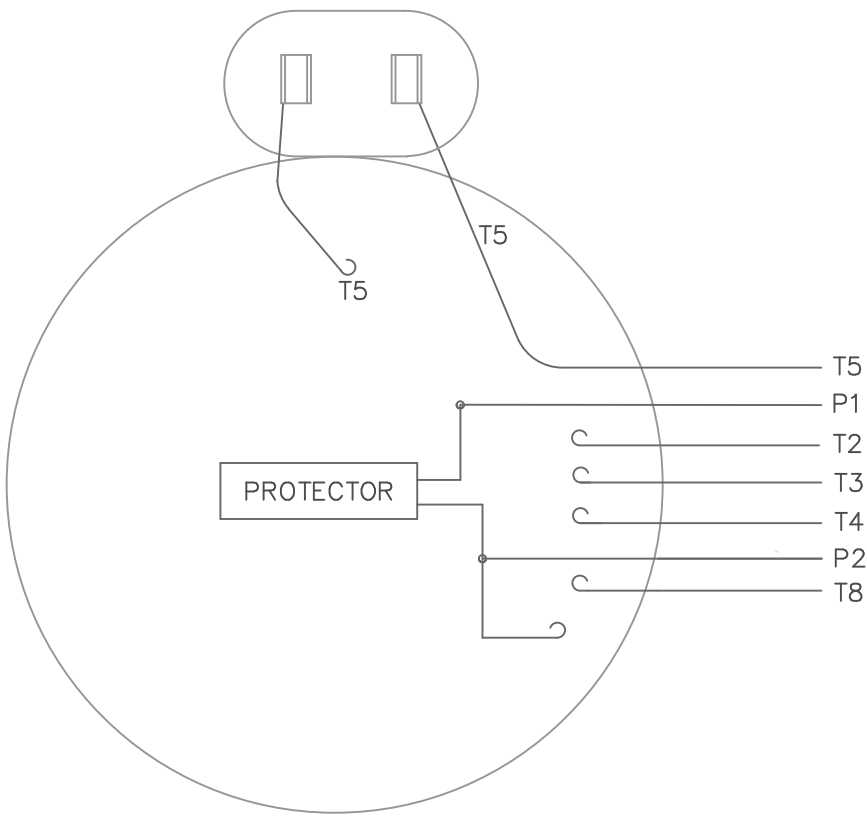
This is an uncontrolled document once printed or downloaded and is subject to change without notice. Date Created: 10/15/2018




DASH NO.	"C"
550	10.68
575	10.93
600	11.18
625	11.43
650	11.68
675	11.93
725	12.43

		TOLERANCES UNLESS SPECIFIED		 <b>ELECTRIC MOTORS GEARMOTORS AND DRIVES</b>	DRAWN PST 05-15-2013
		DEC.	INCHES		CHK SM 05-15-2013
		.X	$\pm 1$		APPD
		.XX	$\pm 0.03$		TITLE
		.XXX	$\pm 0.005$		OUTLINE - 48 FRAME ROUND MOUNT - ENCLOSED
		.XXXX	$\pm 0.0005$	MAT'L.	SCALE 1:1
NO.	REVISION	BY & DATE	CHK ANG $\pm 1/2'$	FINISH	REF 031707
THIS DRAWING IN DESIGN AND DETAIL IS OUR PROPERTY AND MUST NOT BE USED EXCEPT IN CONNECTION WITH OUR WORK ALL RIGHTS OF DESIGN AND INVENTION ARE RESERVED THIS IS AN ELECTRONICALLY GENERATED DOCUMENT - DO NOT SCALE THIS PRINT			RFP	CAD FILE SS404023	FMF MU114086
			DIST	SIZE A	PREV
				DRAWING NO. SS404023	REV.

VIEW FROM OUTSIDE OF MOTOR AT SWITCH END.



	ROTATION FACING LEAD END	L1	L2	JOIN	INSULATE SEPARATELY
HIGH VOLT	C.C.W.	P1	T4 T5	T2, T3 T8	P2
	C.W.	P1	T4 T8	T2, T3 T5	P2
LOW VOLT	C.C.W.	P1	T2, T4 T5	P2, T3 T8	--
	C.W.	P1	T2, T4 T8	P2, T3 T5	--

		TOLERANCES UNLESS SPECIFIED		 ELECTRIC MOTORS GEARMOTORS AND DRIVES		DRAWN PG 3/4/02		
		DEC.	INCHES			CHK		
		.X	±.1			APPD		
		.XX	±.01			SCALE 1=1		
		.XXX	±.005			REF 005109-01		
		.XXXX	±.0005	MAT'L. DECAL - 004011		FMF 102675		
NO.	REVISION	BY & DATE	CHK	ANG ±1/2'	FINISH	PREV		
THIS DRAWING IN DESIGN AND DETAIL IS OUR PROPERTY AND MUST NOT BE USED EXCEPT IN CONNECTION WITH OUR WORK ALL RIGHTS OF DESIGN AND INVENTION ARE RESERVED THIS IS AN ELECTRONICALLY GENERATED DOCUMENT - DO NOT SCALE THIS PRINT			RFP	CAD FILE	00510915	SIZE A	DRAWING NO. 005109-15	REV.
			DIST					

