

# PRODUCT INFORMATION PACKET



Model No: C4T17DK13A

Catalog No: 103727.00

..3/4HP..1725RPM.S56J.DP.208-230/460.3PH.60HZ.CONT.40C.1.25SF.RIGID-C.C4T17DK13.....JET  
PUMP.NONE.....

Jet Pump



Regal and Leeson are trademarks of Regal Beloit Corporation or one of its affiliated companies.

©2018 Regal Beloit Corporation, All Rights Reserved. MC017097E





### Nameplate Specifications

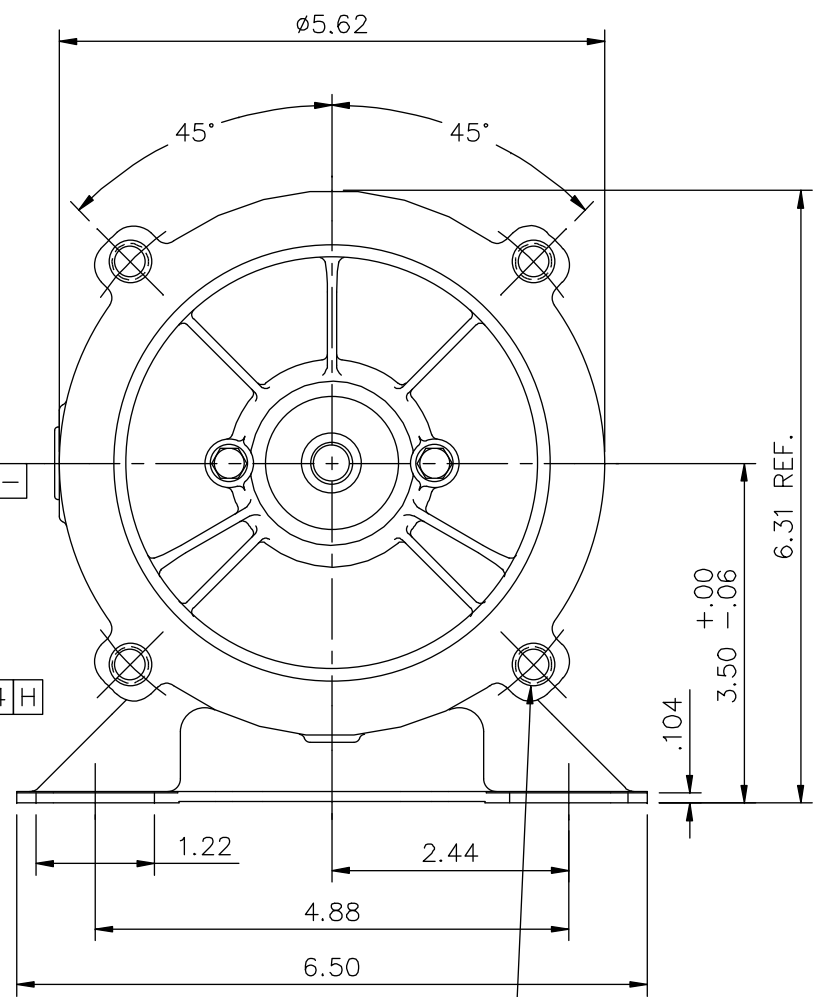
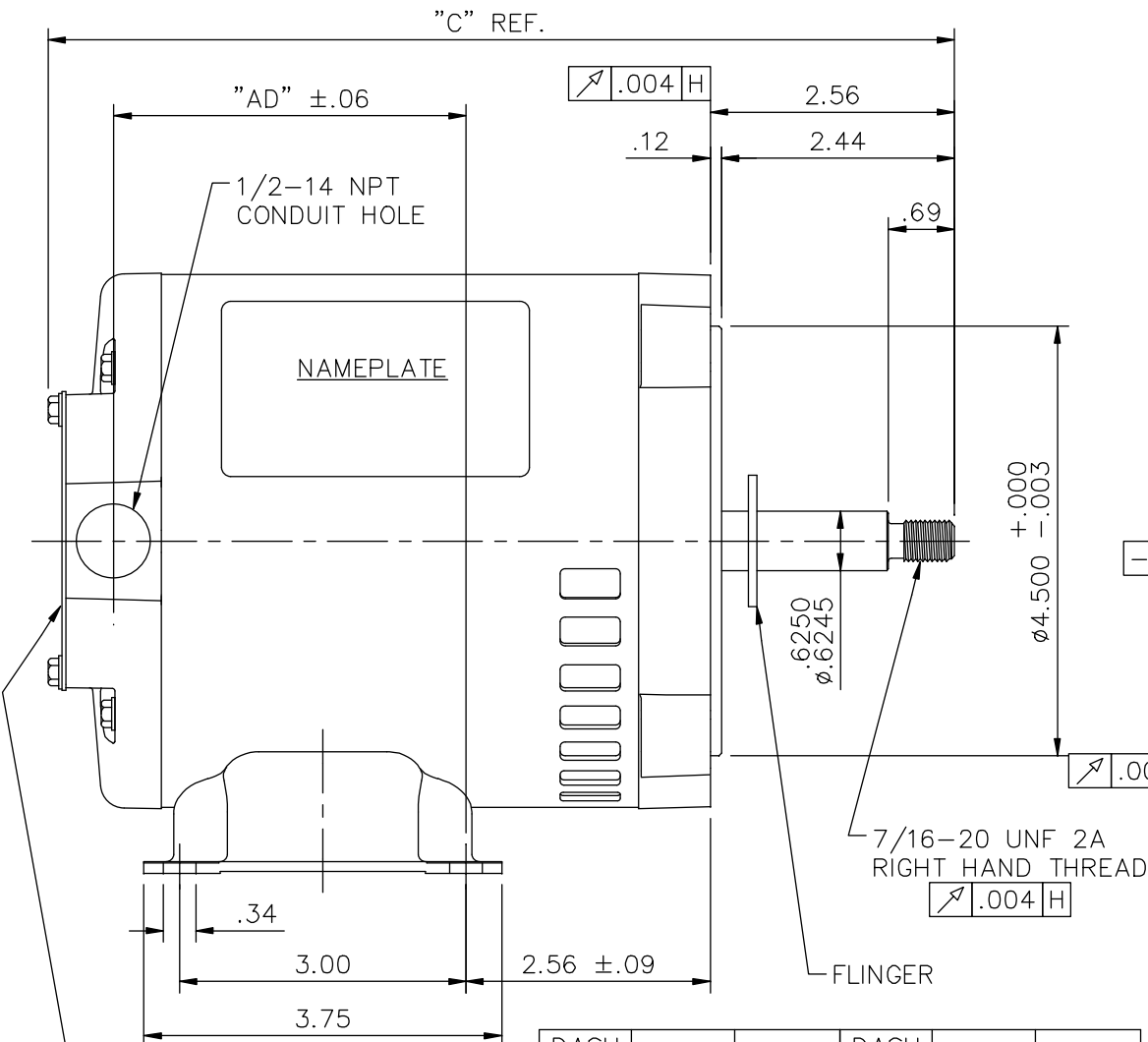
Output HP	<b>0.75 Hp</b>	Output KW	<b>0.56 kW</b>
Frequency	<b>60 Hz</b>	Voltage	<b>208-230/460 V</b>
Current	<b>2.7-2.8/1.4 A</b>	Speed	<b>1725 rpm</b>
Service Factor	<b>1.25</b>	Phase	<b>3</b>
Efficiency	<b>75 %</b>	Duty	<b>Continuous</b>
Insulation Class	<b>B</b>	Design Code	<b>NO DESIGN CODE</b>
KVA Code	<b>L</b>	Frame	<b>48 C</b>
Enclosure	<b>Drip Proof</b>	Overload Protector	<b>No</b>
Ambient Temperature	<b>40 °C</b>	Drive End Bearing Size	<b>6203</b>
Opp Drive End Bearing Size	<b>6203</b>	UL	<b>Recognized</b>
CSA	<b>Y</b>	CE	<b>N</b>
IP Code	<b>22</b>		

### Technical Specifications

Electrical Type	<b>Squirrel Cage Induction Run</b>	Starting Method	<b>Across The Line</b>
Poles	<b>4</b>	Rotation	<b>Reversible</b>
Mounting	<b>Rigid base</b>	Motor Orientation	<b>HORIZONTAL</b>
Drive End Bearing	<b>BALL</b>	Opp Drive End Bearing	<b>BALL</b>
Frame Material	<b>Rolled Steel</b>	Shaft Type	<b>J</b>
Overall Length	<b>11.00 in</b>	Frame Length	<b>6.50 in</b>
Shaft Diameter	<b>0.500 in</b>	Shaft Extension	<b>1.5 in</b>
Assembly/Box Mounting	<b>F1 ONLY</b>		
Outline Drawing	<b>SS404004LE-650</b>	Connection Diagram	<b>A-005010-01</b>

**This is an uncontrolled document once printed or downloaded and is subject to change without notice. Date Created: 10/15/2018**

SS404004LE



DASH NO.	"C"	"AD"	DASH NO.	"C"	"AD"
500	9.50	3.68	600	10.50	4.68
525	9.75	3.93	625	10.75	4.93
550	10.00	4.18	650	11.00	5.18
575	10.25	4.43	675	11.25	5.43

TOLERANCES UNLESS SPECIFIED	
DEC.	INCHES
.X	±.1
.XX	±.03
.XXX	±.005
.XXXX	±.0005
ANG	±1/2'



ELECTRIC MOTORS  
GEARMOTORS  
AND DRIVES

TITLE  
OUTLINE - S56J FRAME  
RIGID "C" FACE - DRIP PROOF

MAT'L.  
3 PHASE

DRAWN	SVL 3-20-13
CHK	
APPD	
SCALE	1=2
REF	031801
FMF	103727.00
PREV	

NO.	REVISION	BY & DATE	CHK	ANG	±1/2'	FINISH		SIZE	DRAWING NO.	REV.
			RFP	3-20-13		CAD FILE	SS404004LE	A	SS404004LE	
			DIST							

THIS DRAWING IN DESIGN AND DETAIL IS OUR PROPERTY AND MUST NOT BE USED EXCEPT IN CONNECTION WITH OUR WORK ALL RIGHTS OF DESIGN AND INVENTION ARE RESERVED THIS IS AN ELECTRONICALLY GENERATED DOCUMENT - DO NOT SCALE THIS PRINT

005010-01

VIEW FROM OUTSIDE OF MOTOR AT SWITCH END.



VOLTAGE	L1	L2	L3	JOIN & INSULATE
HIGH	T1	T2	T3	(T4,T7) (T5,T8) (T6,T9)
LOW	T1,T7	T2,T8	T3,T9	T4,T5,T6

				TOLERANCES UNLESS SPECIFIED		<b>Regal Beloit America, Inc.</b>		DRAWN RDW 04/12/02		
				DEC.	INCHES			CHK		
				.X	±.1			APPD		
				.XX	±.01			SCALE 1=1		
				.XXX	±.005	REF FIG.2-51				
A	UPDATED TO REGAL LOGO	SAJ 06/26/15	AJY	.XXXX	±.0005	TITLE EXTERNAL WIRING DIAGRAM 3 PHASE W/O PROTECTOR		FMF		
NO.	REVISION	BY & DATE	CHK	ANG	±1/2"	FINISH MAT'L. DECAL - 004014		PREV		
THIS DRAWING IN DESIGN AND DETAIL IS OUR PROPERTY AND MUST NOT BE USED EXCEPT IN CONNECTION WITH OUR WORK ALL RIGHTS OF DESIGN AND INVENTION ARE RESERVED THIS IS AN ELECTRONICALLY GENERATED DOCUMENT - DO NOT SCALE THIS PRINT				RFP	04/12/02	CAD FILE 00501001		SIZE	DRAWING NO.	REV.
				DIST	BRF-NLV			A	005010-01	A

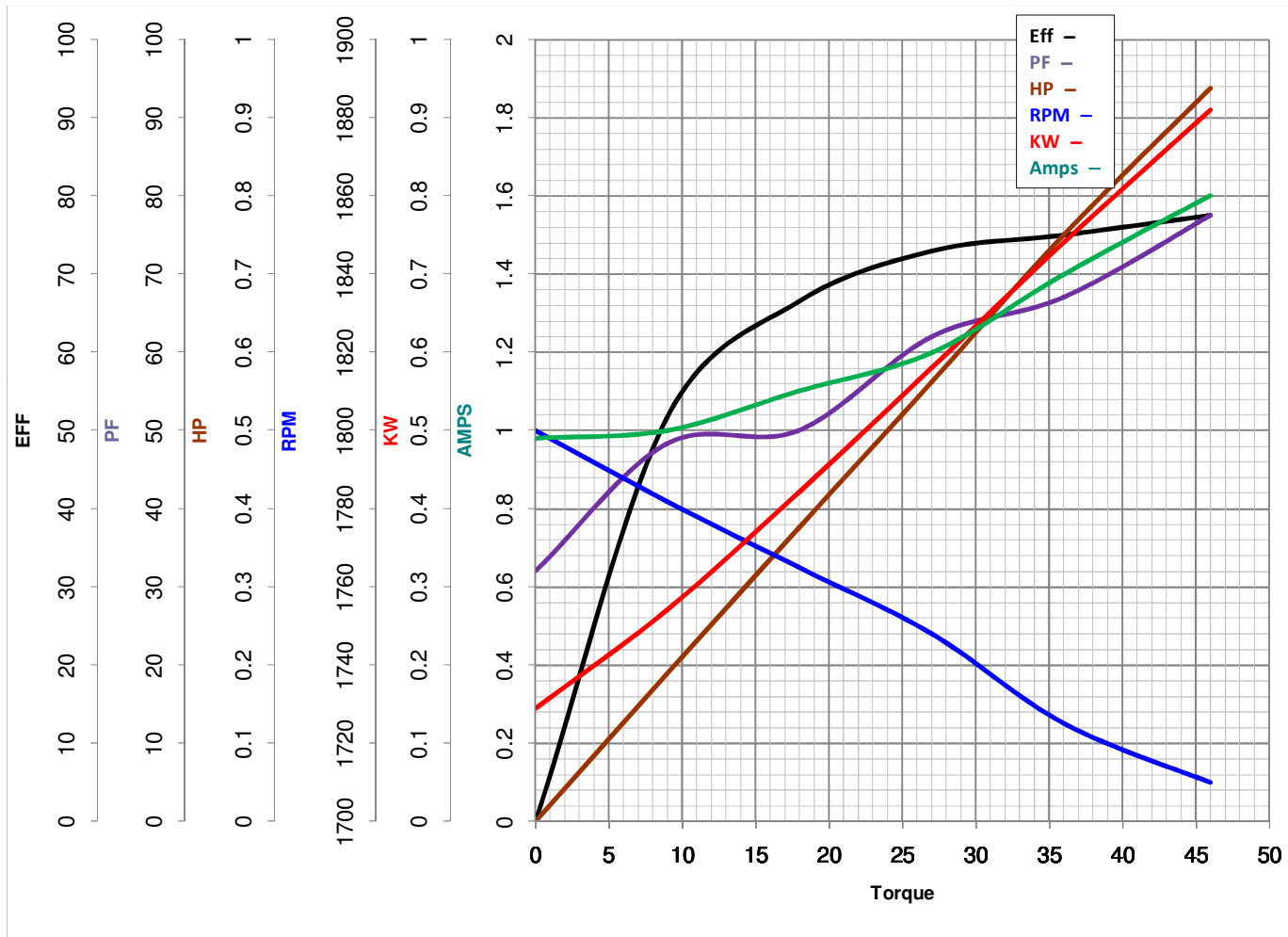


**LEESON ELECTRIC CORPORATION**  
TYPICAL PERFORMANCE CURVE for AC MOTOR

Model No 103727.00

Catalog No 103727.00

Curve at 460 Volts      HP 0.75      PHASE 3  
60 HZ  
0.75 HP      VOLTS 208-230/460  
HZ 60      RPM 1725



		Torque in Oz.Ft	
FL TORQUE	<u>36</u> Oz.Ft	FL AMPS	<u>2.7-2.8/1.4</u>
BD TORQUE	<u>162.0</u> Oz.Ft	PU TORQUE	<u>154.6</u> Oz.Ft
LR TORQUE	<u>137.6</u> Oz.Ft	LR AMPS	<u>8.6</u>
WINDING	TE48412-3	Date	<u>6/4/2018</u>